

[54] COMBINED DIGITAL AND DIAL CALIPER

D. 245,072 7/1977 Shibukawa D10/73
3,945,121 3/1976 Uchino 33/147 T
4,077,129 3/1978 Nishikata 33/147 T

[75] Inventors: Kozo Sibukawa; Goro Nishikata, both of Kawasaki, Japan

[73] Assignee: Mitutoyo Mfg. Co., Ltd., Tokyo, Japan

[**] Term: 14 Years

[21] Appl. No.: 9,547

[22] Filed: Feb. 5, 1979

[30] Foreign Application Priority Data

Aug. 7, 1977 [JP] Japan 53-33121

[51] Int. Cl. D10-04

[52] U.S. Cl. D10/73

[58] Field of Search D10/70, 73; 33/147 R, 33/147 F, 147 J, 147 H, 147 K, 147 T, 143 R, 143 J, 143 K, 143 M

[56] References Cited

U.S. PATENT DOCUMENTS

D. 207,553 5/1967 Yamamoto D10/73

OTHER PUBLICATIONS

Mitutoyo Cat. #900, 3/73, pp. 64-65, Height Gauges.

Primary Examiner—Nelson C. Holtje

Attorney, Agent, or Firm—William L. Androlia

[57] CLAIM

The ornamental design for a combined digital and dial caliper, as shown and described.

DESCRIPTION

FIG. 1 is a perspective view of a combined digital and dial caliper showing my new design; FIG. 2 is a front elevational view thereof; FIG. 3 is a rear elevational view thereof; FIG. 4 is a top plan view thereof; FIG. 5 is a bottom plan view thereof; FIG. 6 is a left side elevational view thereof; FIG. 7 is a right side elevational view thereof; and FIG. 8 is a cross sectional view thereof taken along the line VIII—VIII of FIG. 2.

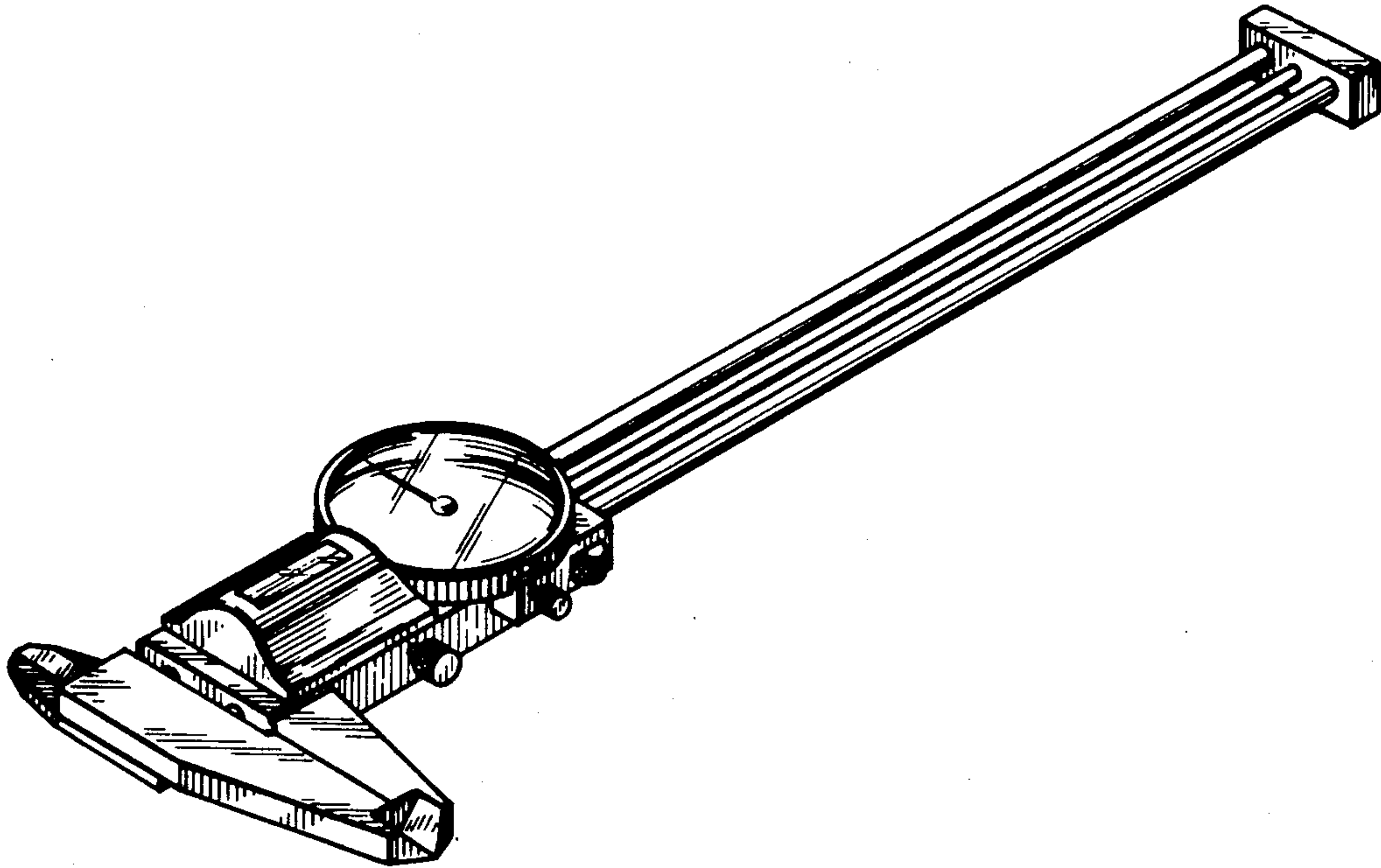


FIG. 1

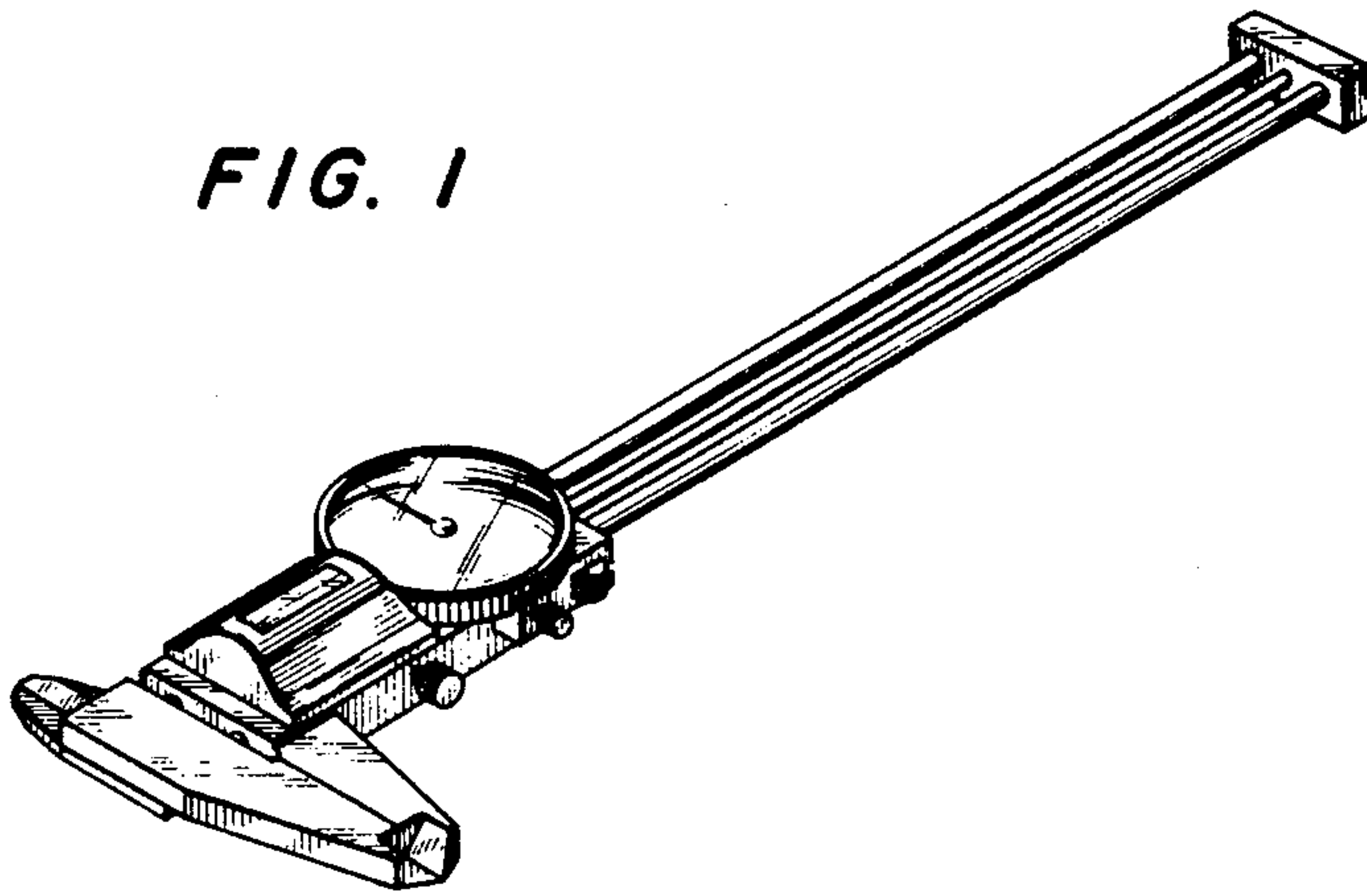


FIG. 2

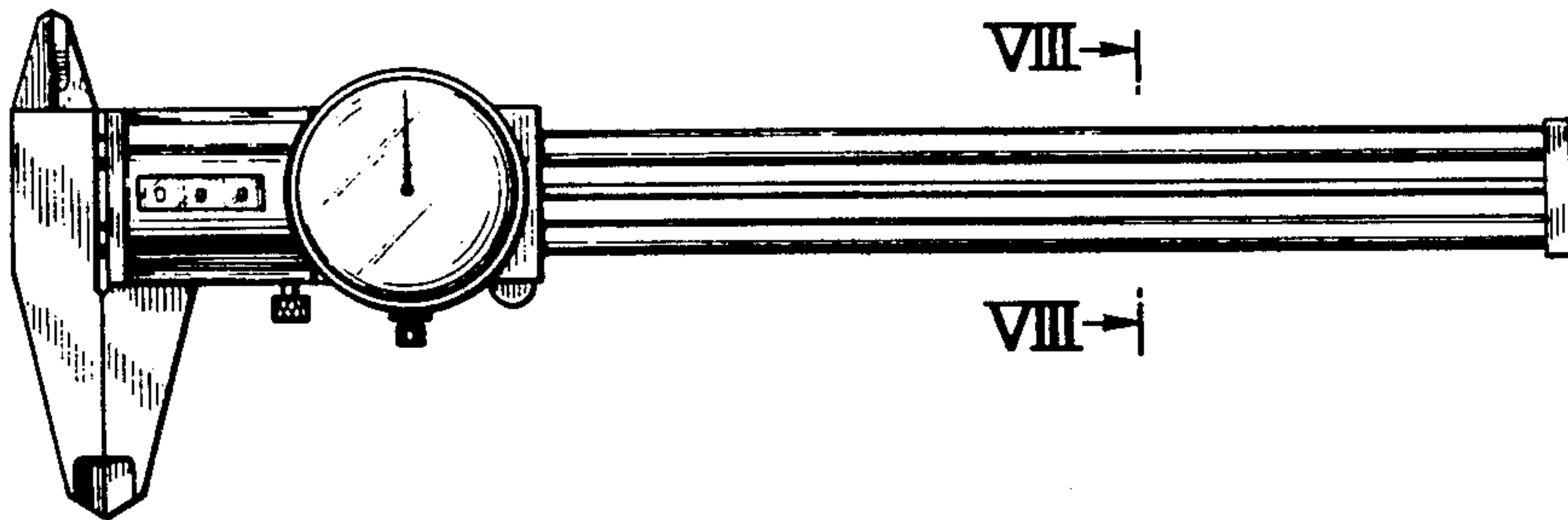


FIG. 3

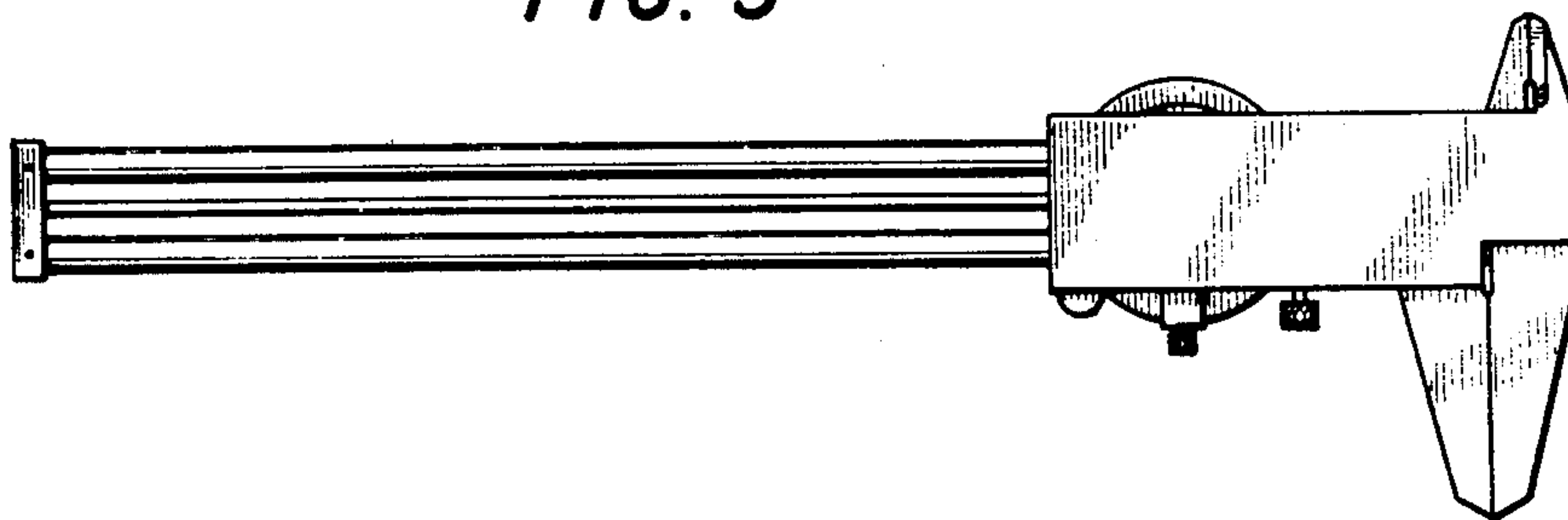


FIG. 4

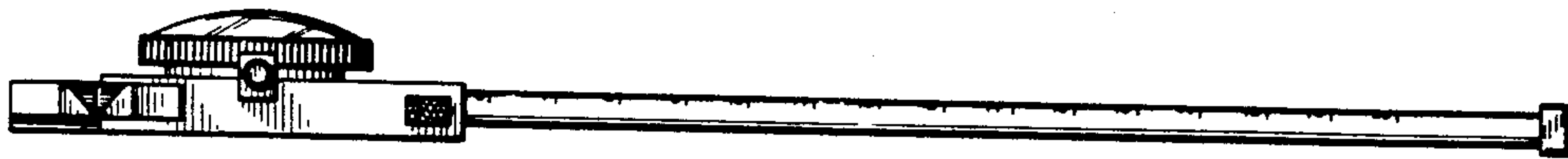


FIG. 5

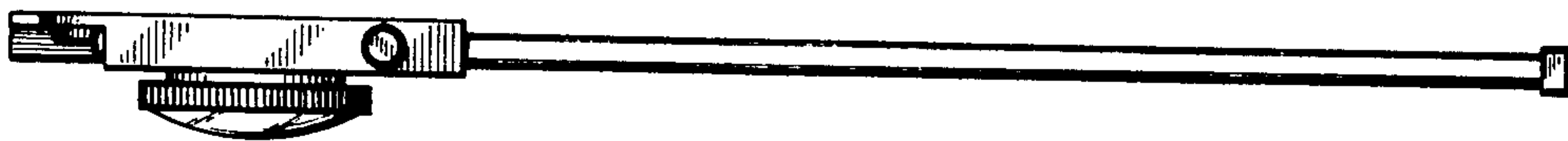


FIG. 6

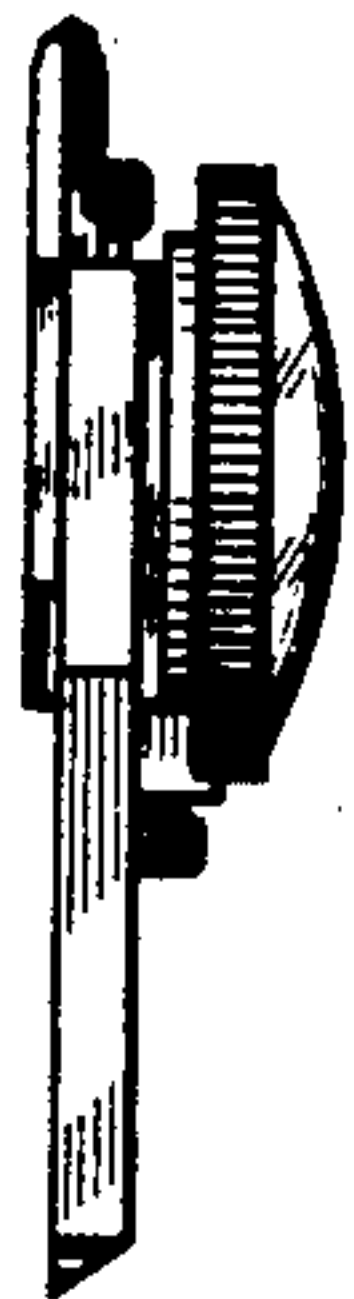


FIG. 7

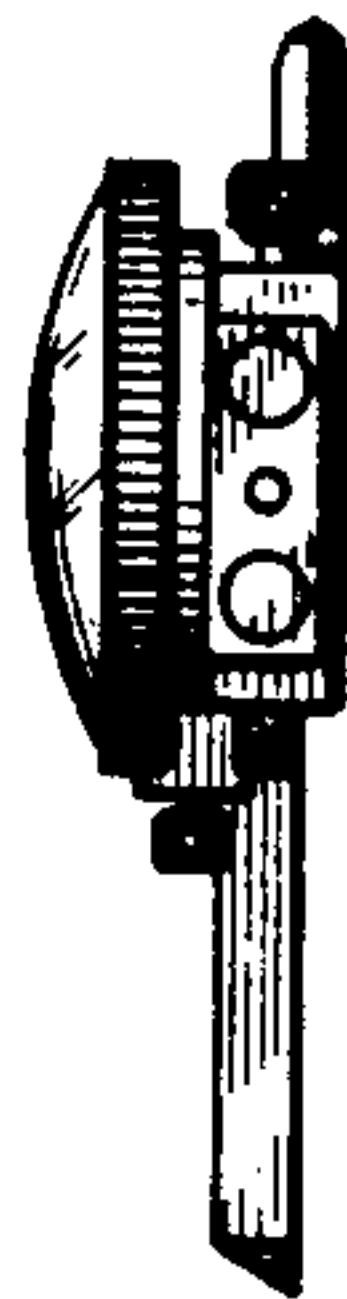


FIG. 8

