

[54] CLOCK

[75] Inventor: Ellworth R. Danz, La Salle, Ill.

[73] Assignee: General Time Corporation

[**] Term: 14 Years

[21] Appl. No.: 876,858

[22] Filed: Feb. 10, 1978

[51] Int. Cl. D10-01

[52] U.S. Cl. D10/23

[58] Field of Search D10/1, 21, 22, 23, 24, D10/25, 26, 27, 122-126; 58/53-56, 23 R, 88 G, 2

[56] References Cited

U.S. PATENT DOCUMENTS

D. 114,262	4/1939	Dreyfuss	D10/23
D. 201,895	8/1965	Danz	D10/23
D. 247,741	4/1978	Danz	D10/23
3,452,538	7/1969	Frey	D10/1 X

OTHER PUBLICATIONS

Seth Thomas Catalog-p. 7-"Fashion-Aire", Clock at top.

Catalogo Westclox-p. 1-Modelo "Hustler".

European Jeweler (DGZ)-p. 90-"Baby Ben" Clock at top.

Jeweler's Circular-Keystone-p. 34-"Vista" Clock at bottom.

Primary Examiner-Nelson C. Holtje

Attorney, Agent, or Firm-Willis H. Taylor, Jr.

[57] CLAIM

The ornamental design for a clock, substantially as shown and described.

DESCRIPTION

FIG. 1 is a perspective view of a clock, showing my new design;

FIG. 2 is a front elevational view thereof;

FIG. 3 is a right side elevational view thereof, the left side being substantially a mirror image thereto;

FIG. 4 is a rear elevational view thereof;

FIG. 5 is a top plan view thereof; and

FIG. 6 is a bottom plan view thereof.

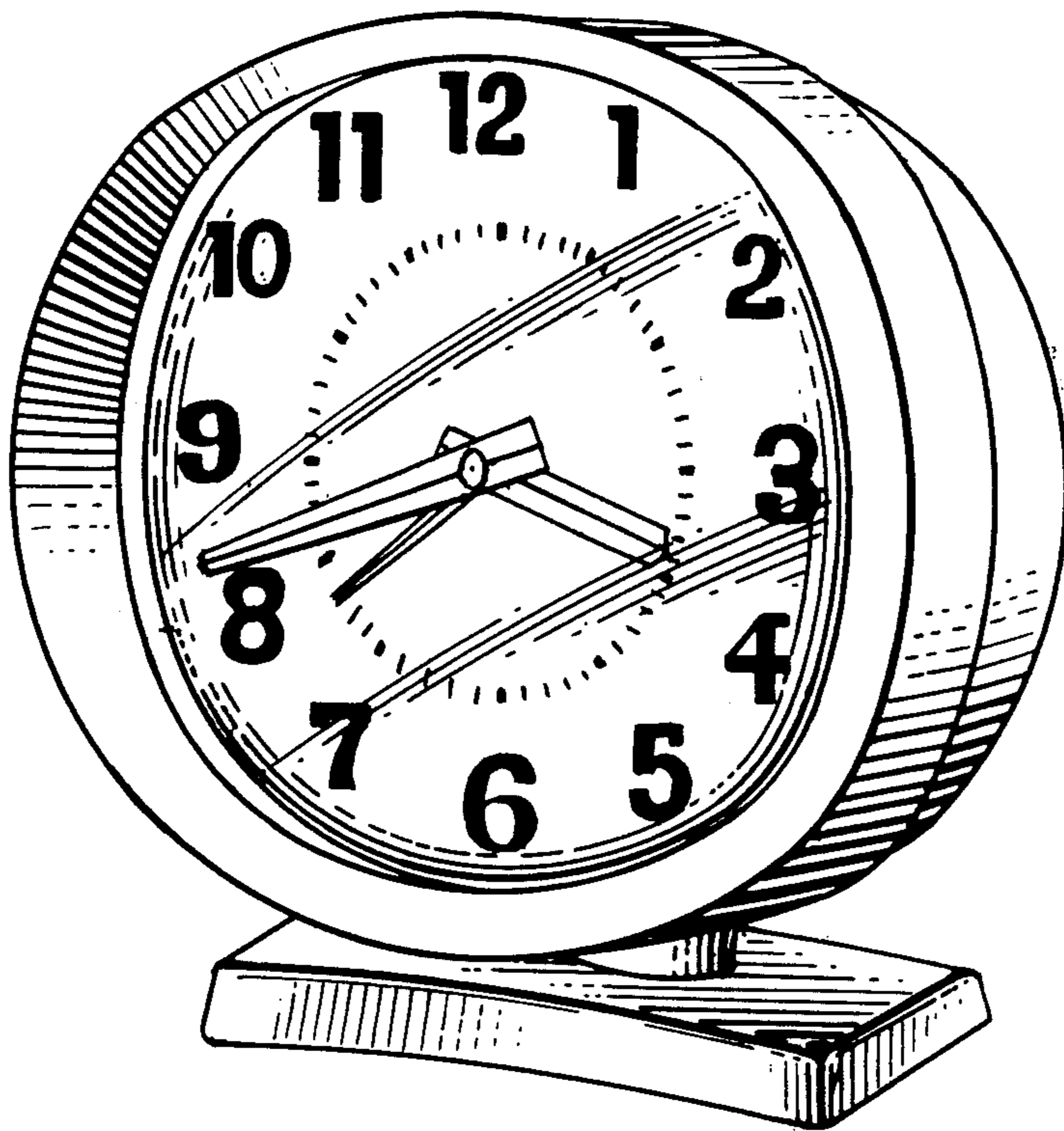


FIG. 1.

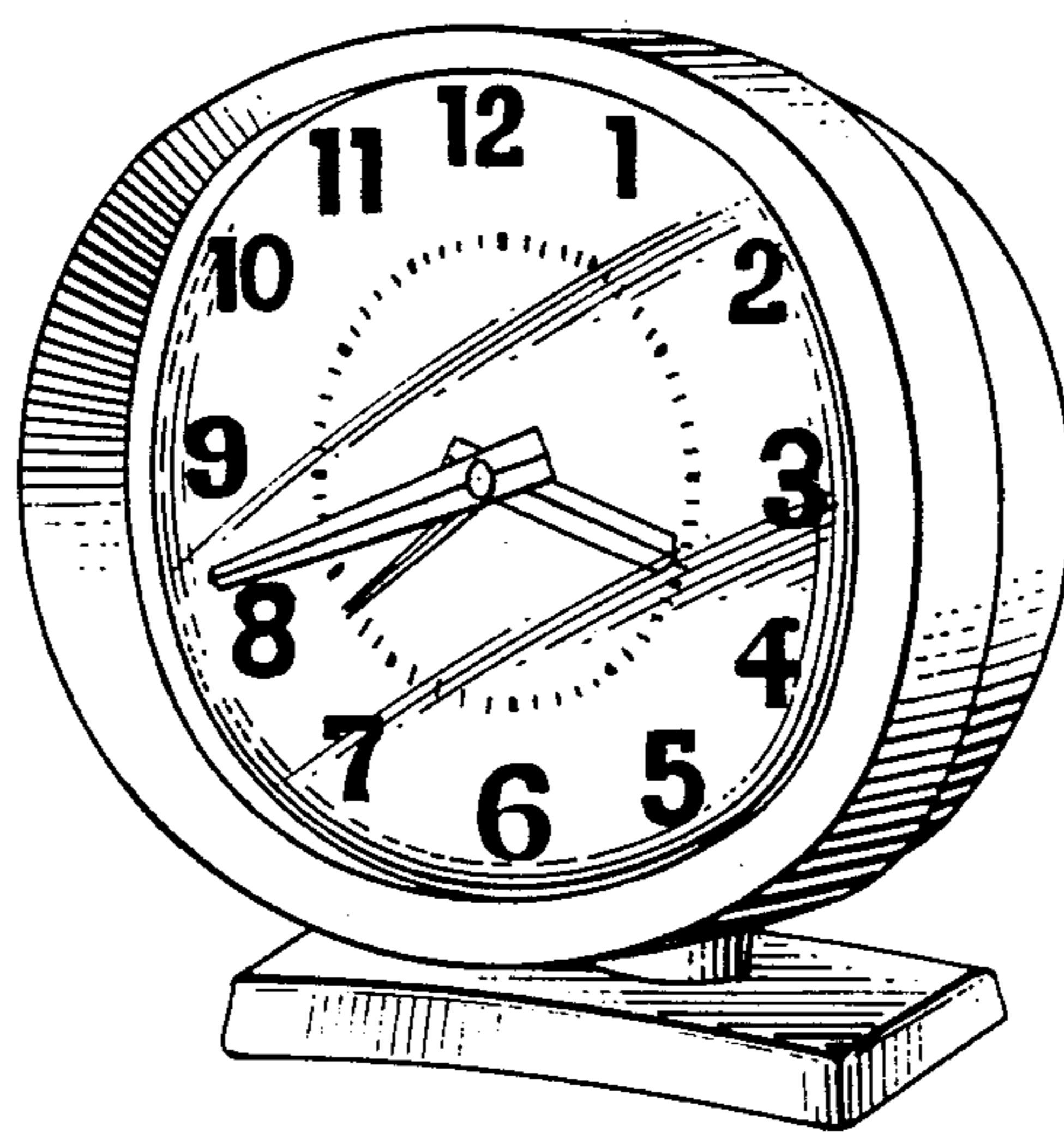


FIG. 2.

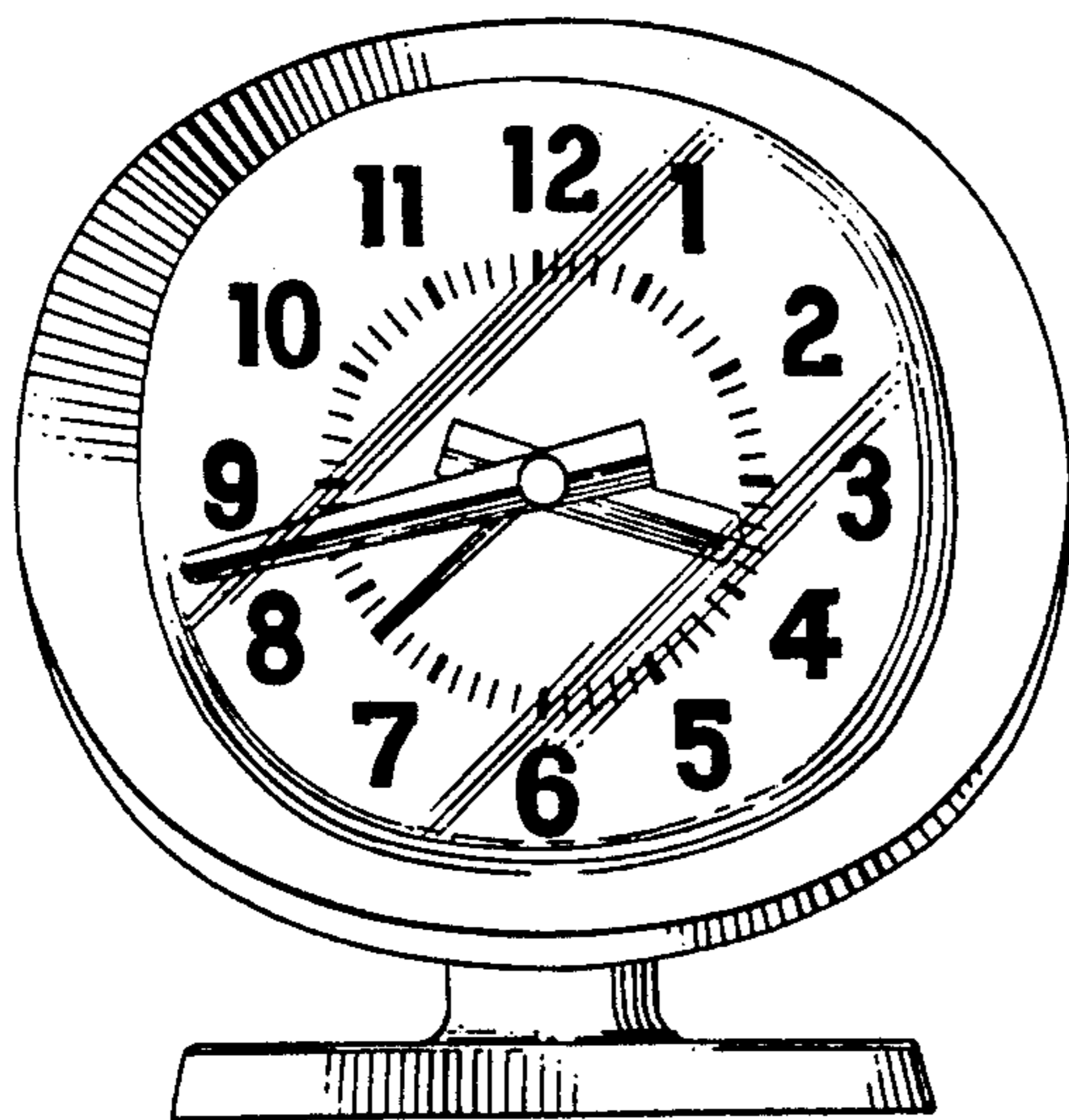


FIG. 3.

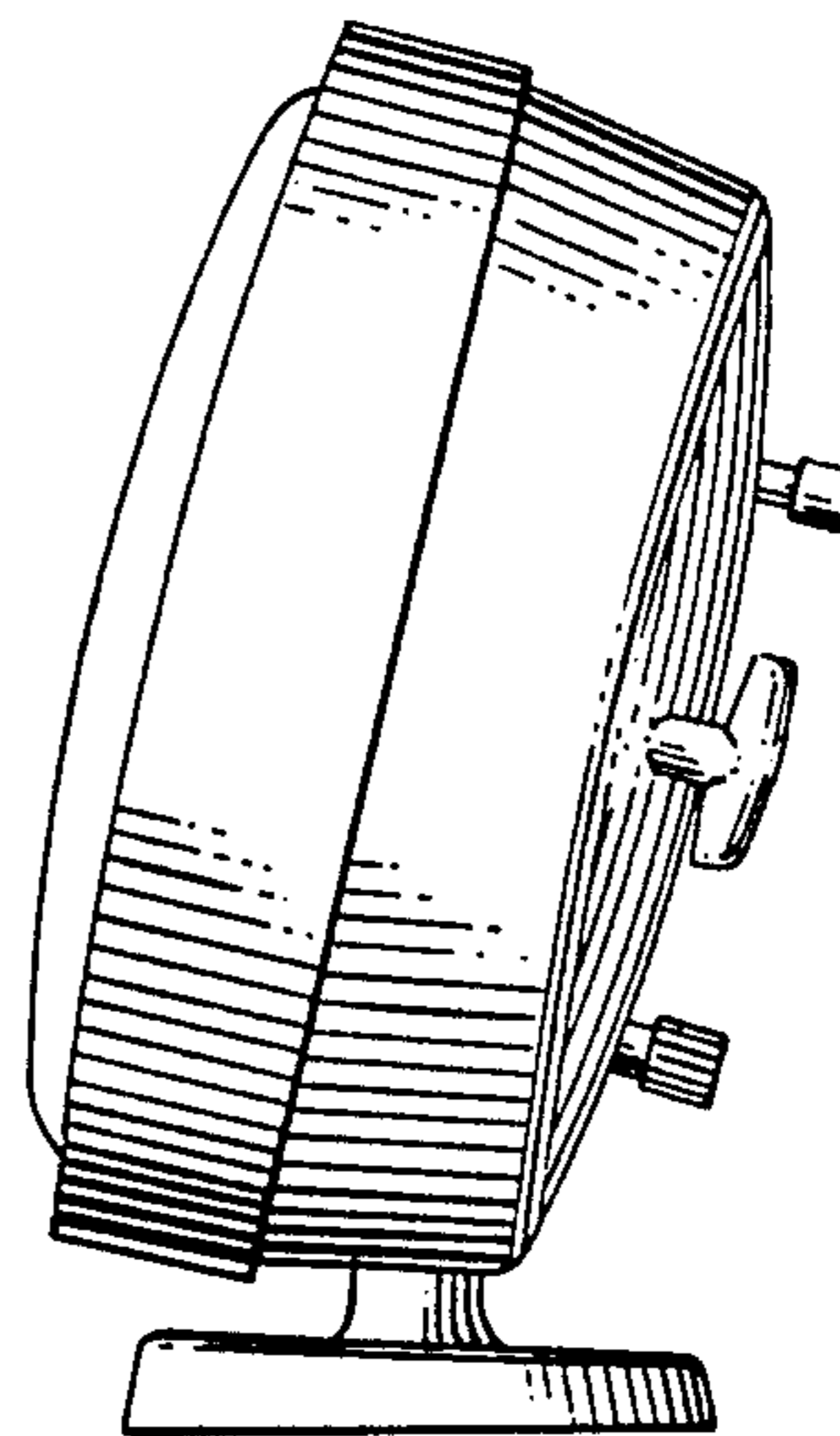


FIG. 4.

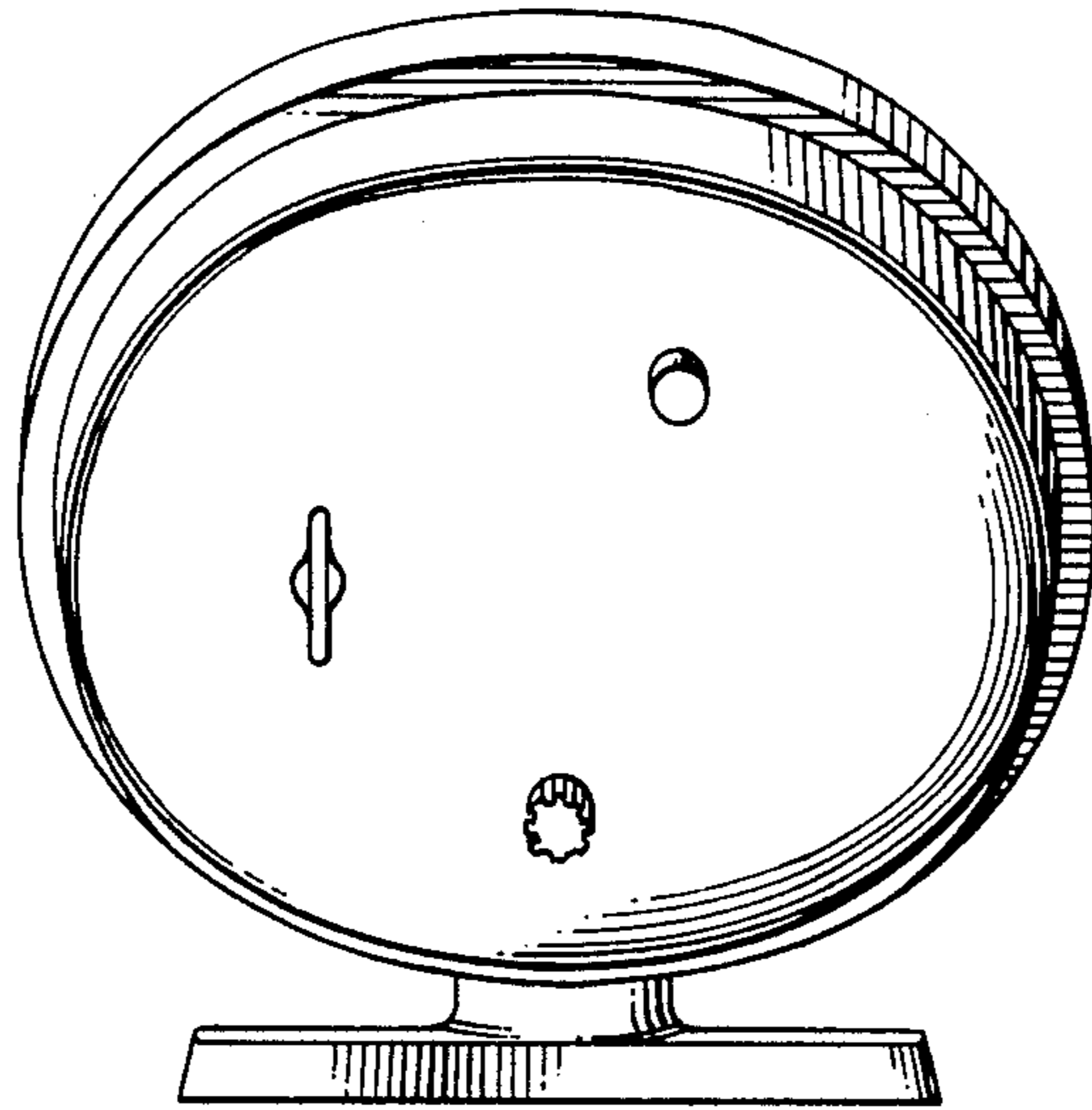


FIG. 5.

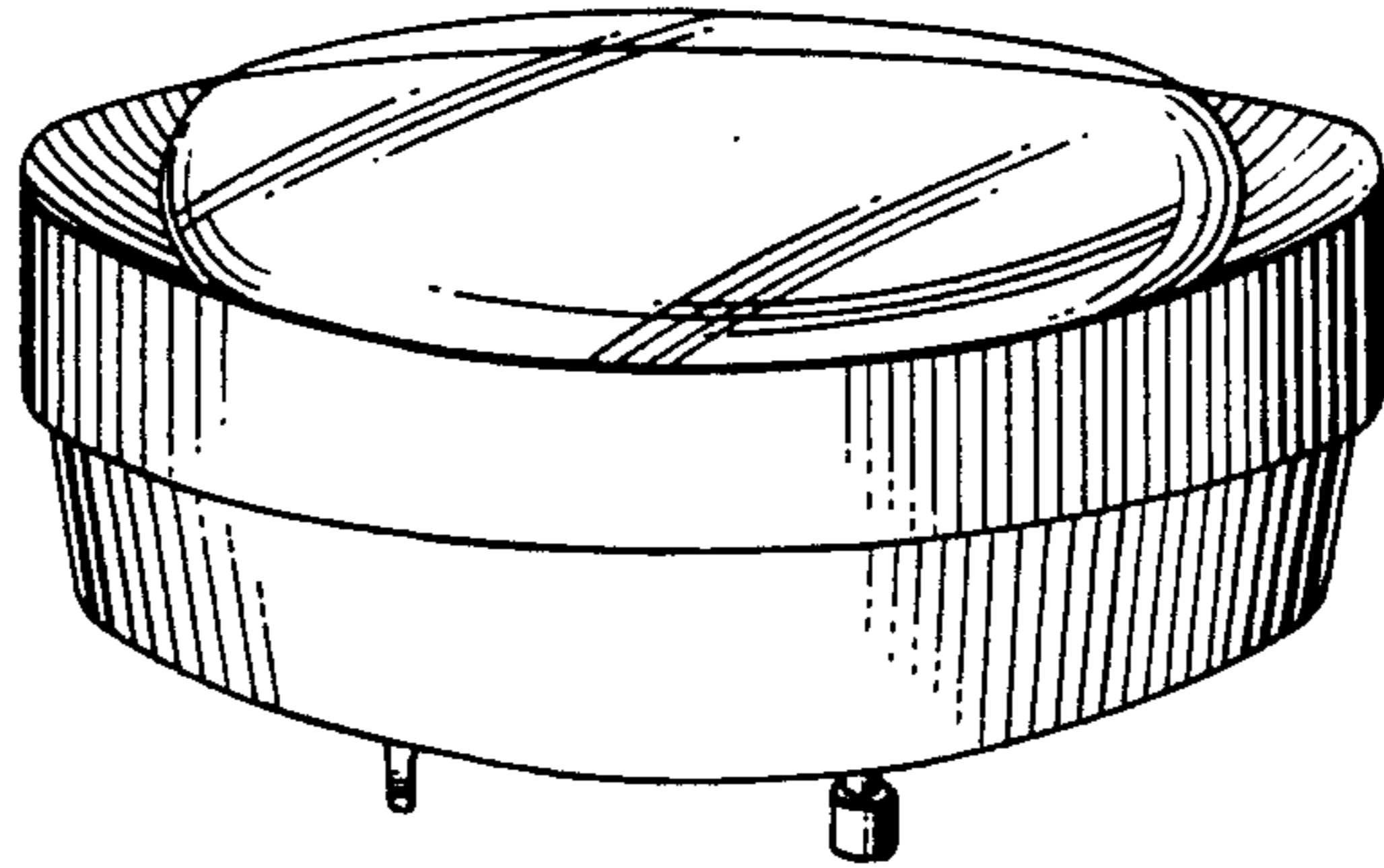


FIG. 6.

