

[54] DECANTER

[75] Inventor: John A. Grip, Matawan, N.J.

[73] Assignee: American Cyanamid Company,  
Stamford, Conn.

[\*\*] Term: 14 Years

[21] Appl. No.: 843,107

[22] Filed: Oct. 18, 1977

**Related U.S. Application Data**

[63] Continuation-in-part of Ser. No. 600,707, Jul. 31, 1975,  
abandoned.

[51] Int. Cl. .... D9-01

[52] U.S. Cl. .... D9/23; D9/64;  
D9/144

[58] Field of Search ..... D9/20-36,  
D9/59-71, 143, 144; 215/1 R, 1 C

[56]

**References Cited**

**U.S. PATENT DOCUMENTS**

D. 36,262 3/1903 Bonnert ..... D9/143  
D. 105,379 7/1937 Guerlain ..... D9/144  
D. 120,625 5/1940 Lowenstein ..... D9/144

*Primary Examiner*—Robert C. Spangler  
*Attorney, Agent, or Firm*—Charles J. Fickey

[57]

**CLAIM**

The ornamental design for a decanter, substantially as shown and described.

**DESCRIPTION**

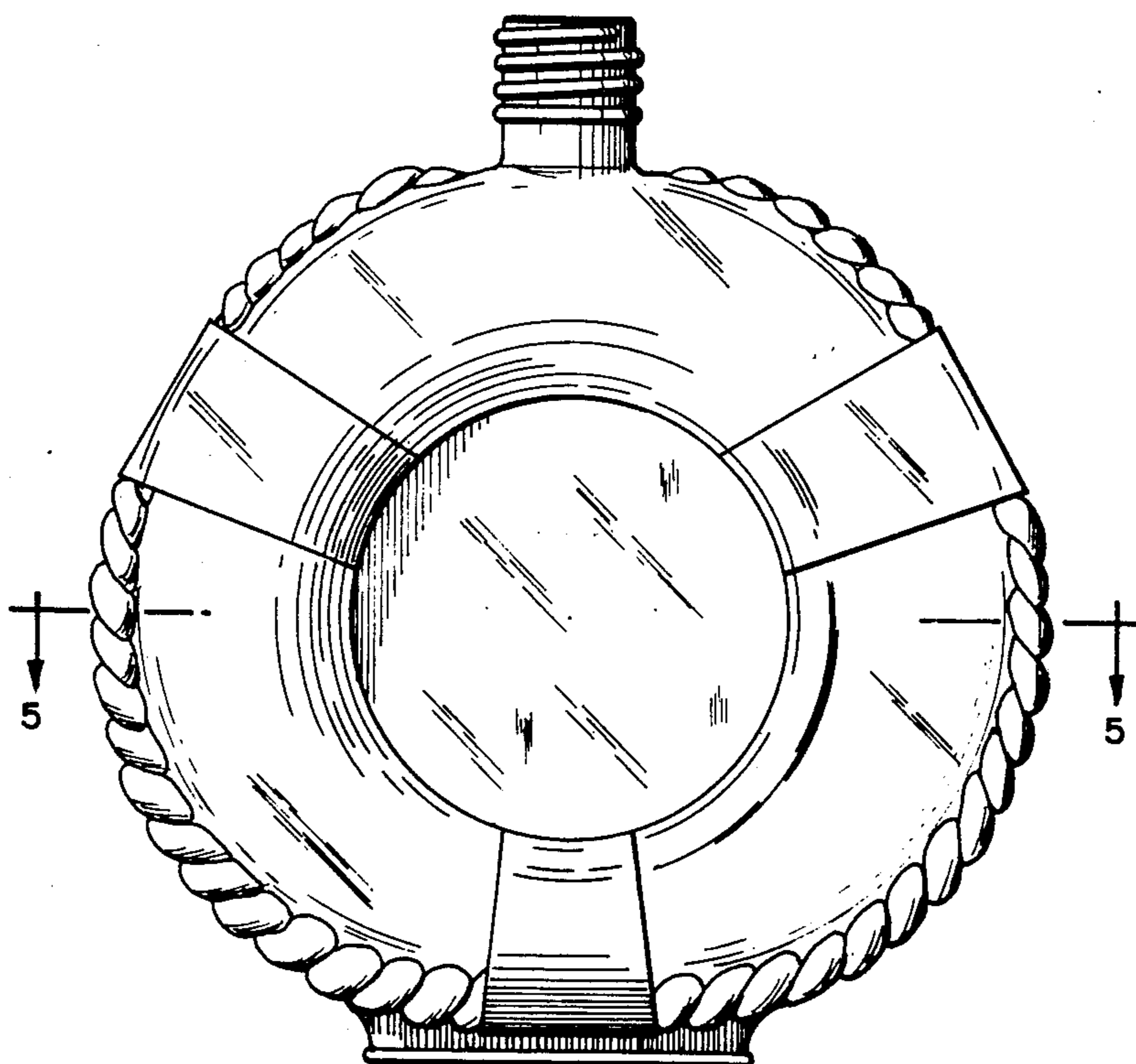
FIG. 1 is a side elevational view of a decanter showing my new design, the opposite side being a mirror image thereof;

FIG. 2 is a front elevational view with the closure removed, the rear view being substantially the same in appearance except that the simulated rope is not seen at the bottom portion;

FIG. 3 is a bottom plan view;

FIG. 4 is a top plan view with the closure in place;

FIG. 5 is a sectional view taken on the line 5-5 of FIG. 2.



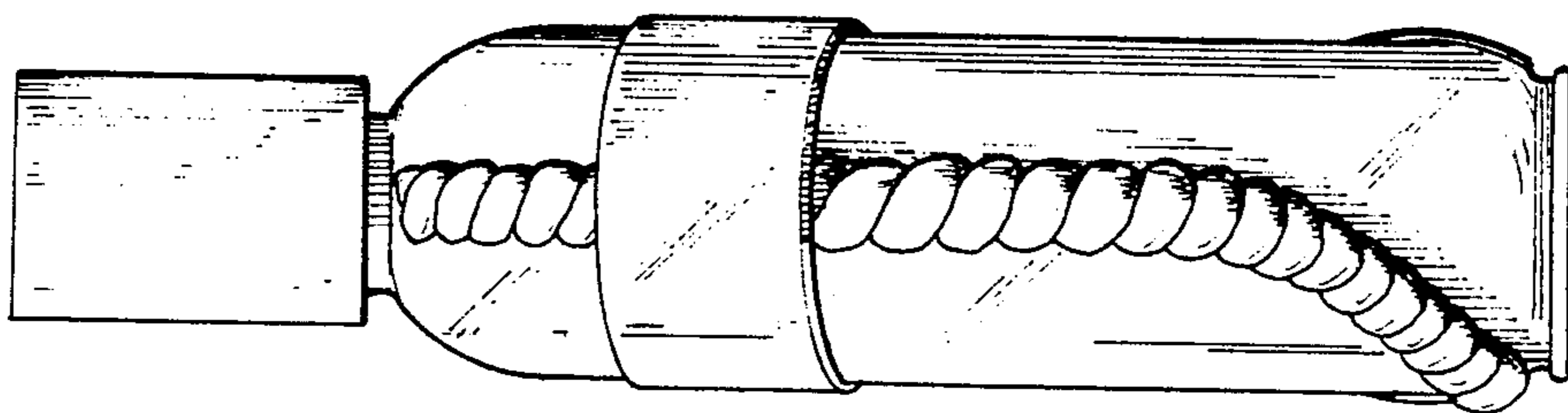


FIG. 1

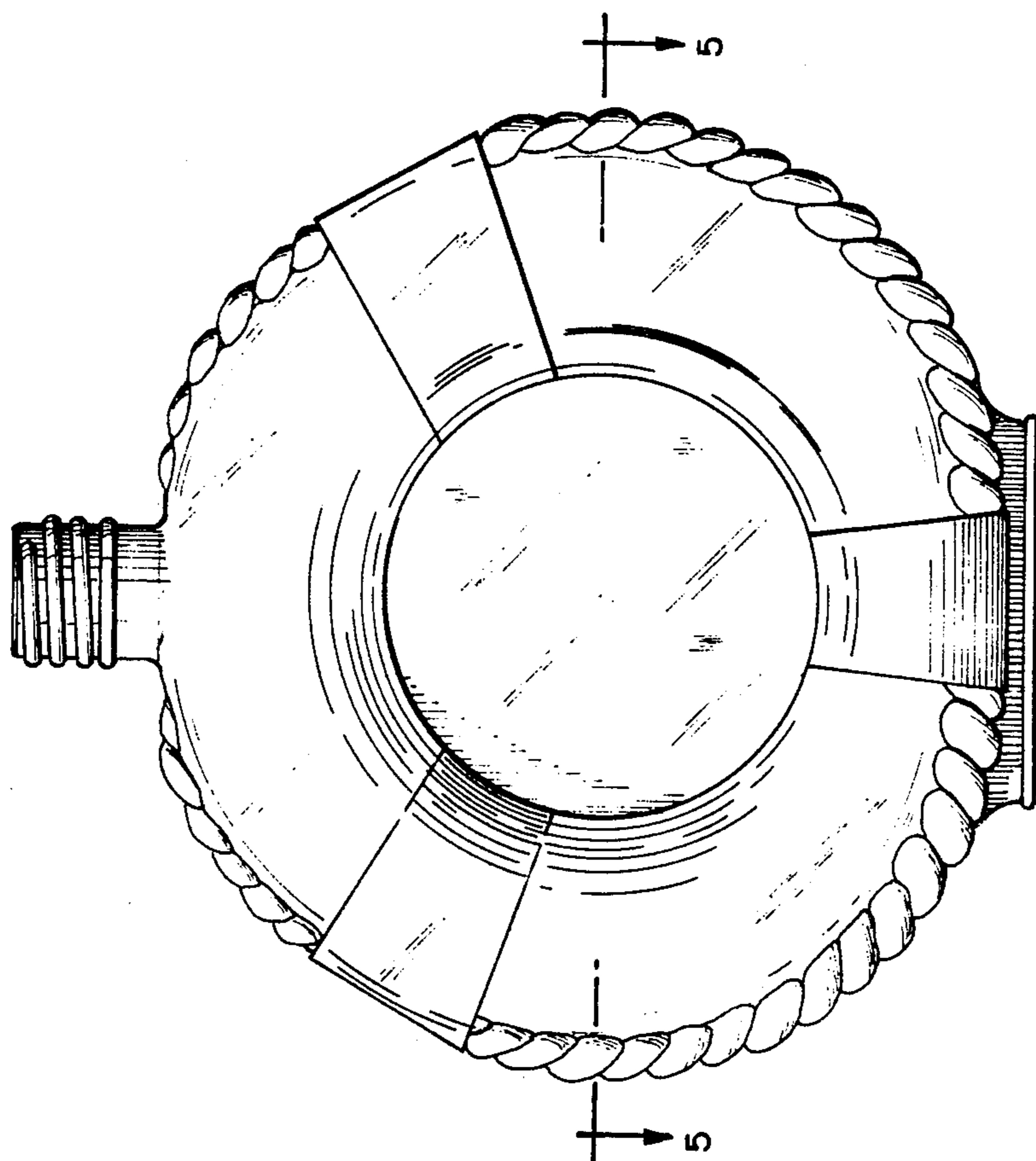


FIG. 2

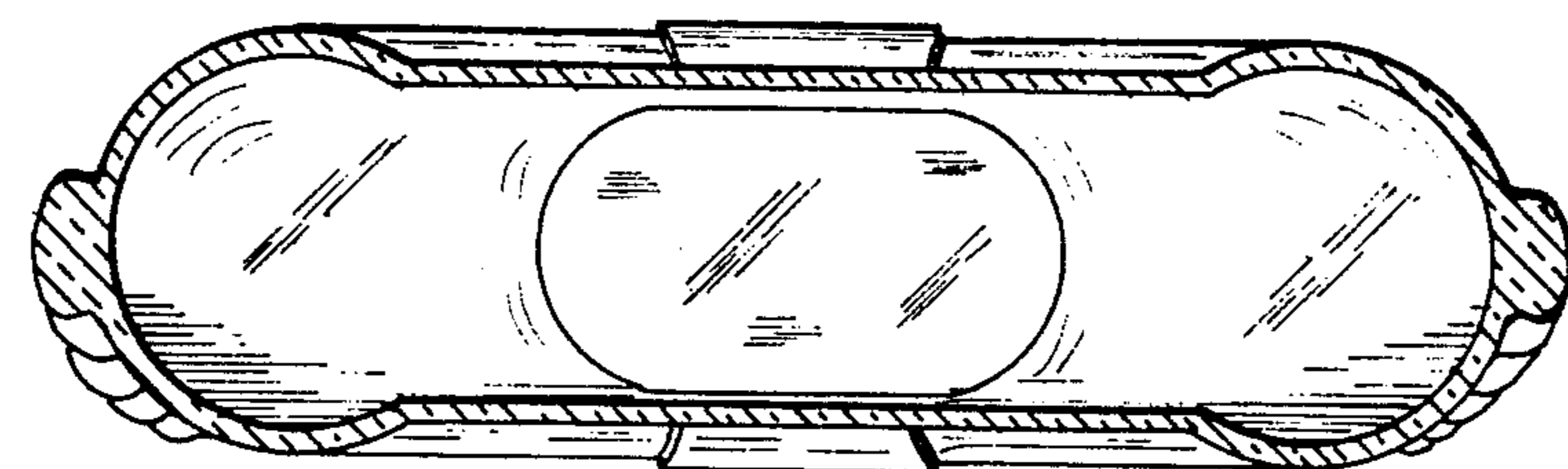


FIG. 5

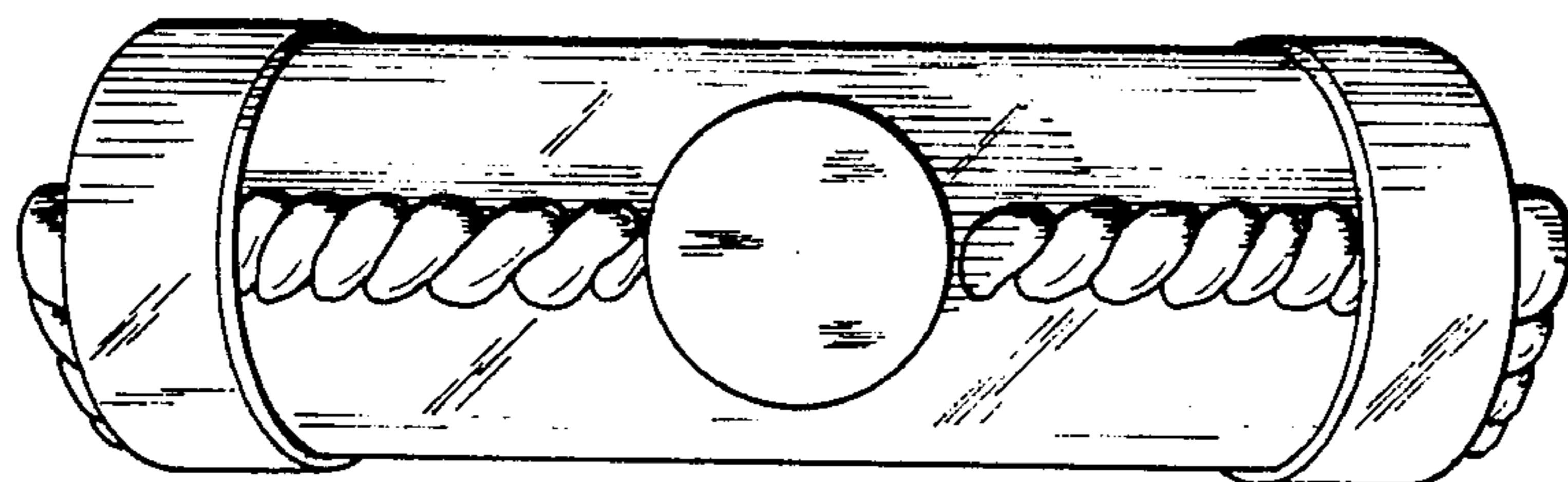


FIG. 4

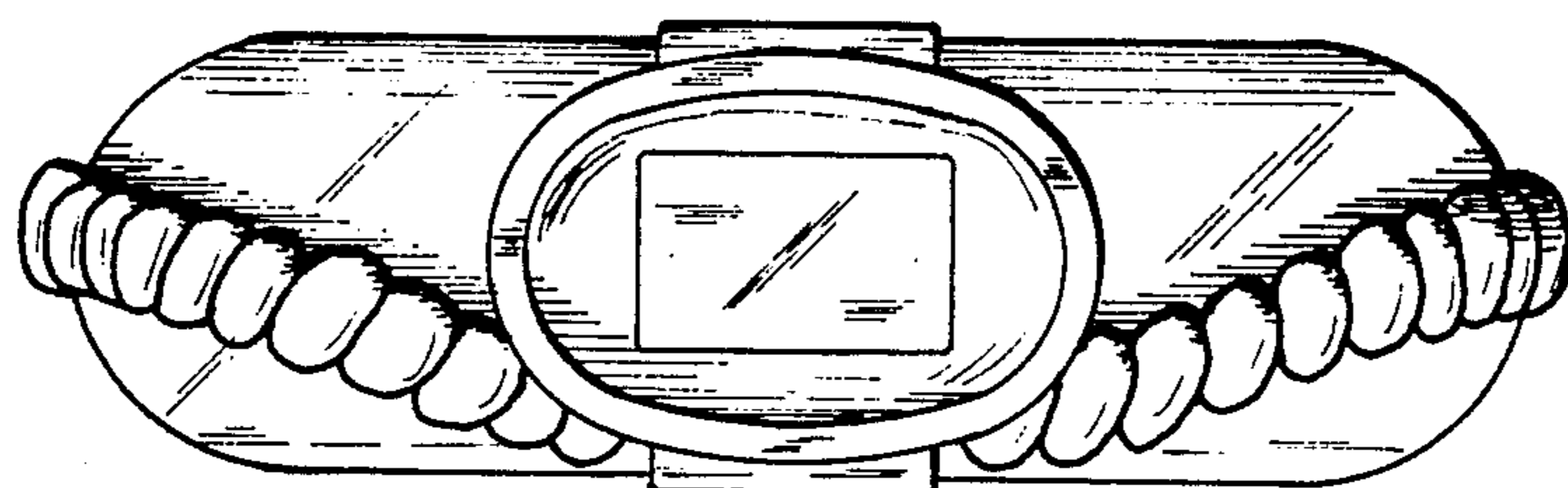


FIG. 3