

[54] DOOR STOP

[76] Inventor: Douglas B. Farmer, Jr., 2077 Junipero St., Long Beach, Calif.

[\*\*] Term: 14 Years

[21] Appl. No.: 943,431

[22] Filed: Sep. 18, 1978

[51] Int. Cl. .... D8-09; D8-99

[52] U.S. Cl. .... D8/402

[58] Field of Search .... D8/354, 400-403; D6/99; 16/82, 83, 85, 86 R, 86 A; 248/345.1; 292/DIG. 15, DIG. 19

[56] References Cited

U.S. PATENT DOCUMENTS

D. 250,924 1/1979 Helsm ..... D6/99

984,118 2/1911 Wilcox ..... 292/DIG. 19  
3,386,125 6/1968 Hand ..... 16/86 R  
3,484,891 12/1969 Borgen ..... 16/86 A

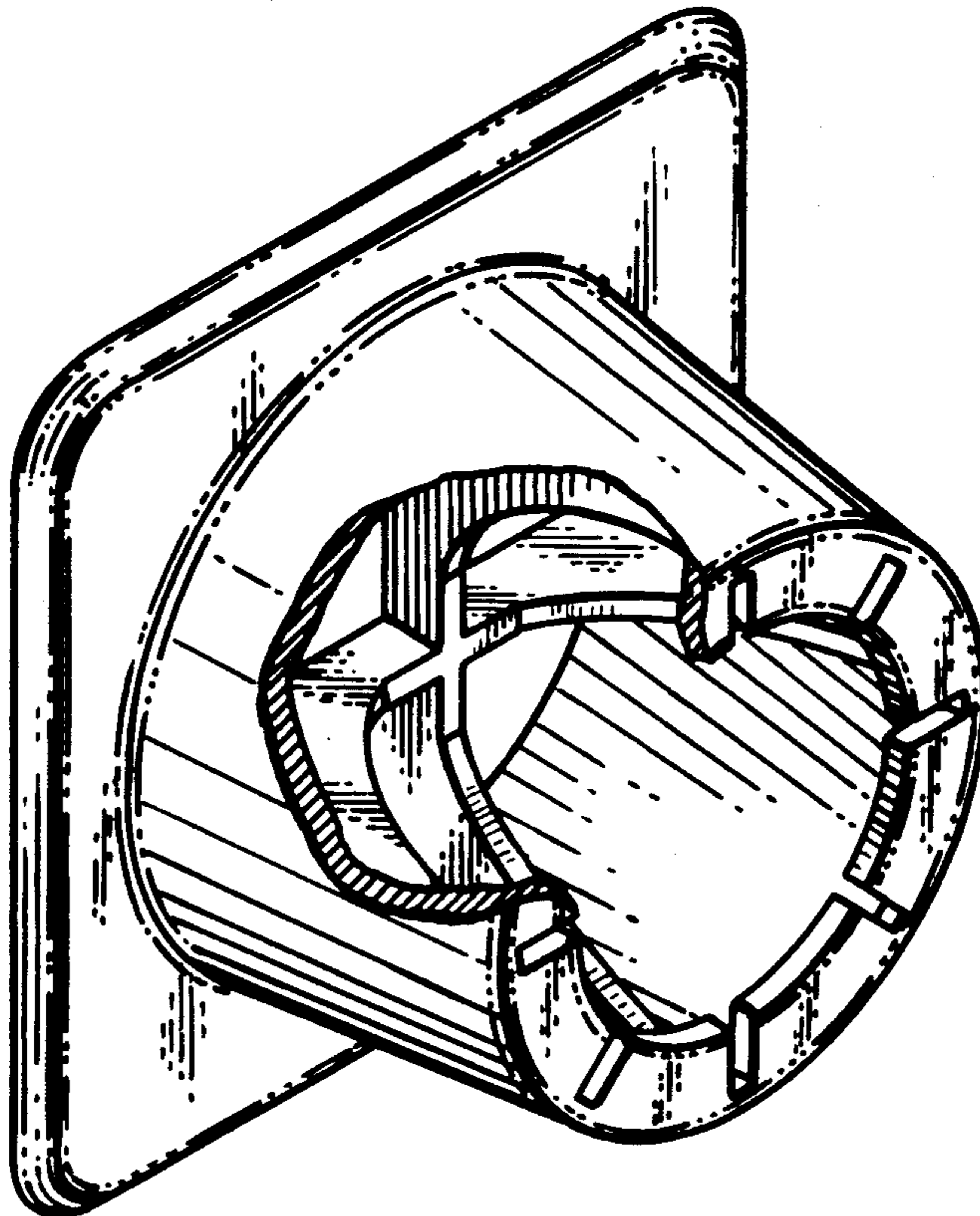
Primary Examiner—Barbara J. Bullock  
Attorney, Agent, or Firm—G. Donald Weber, Jr.

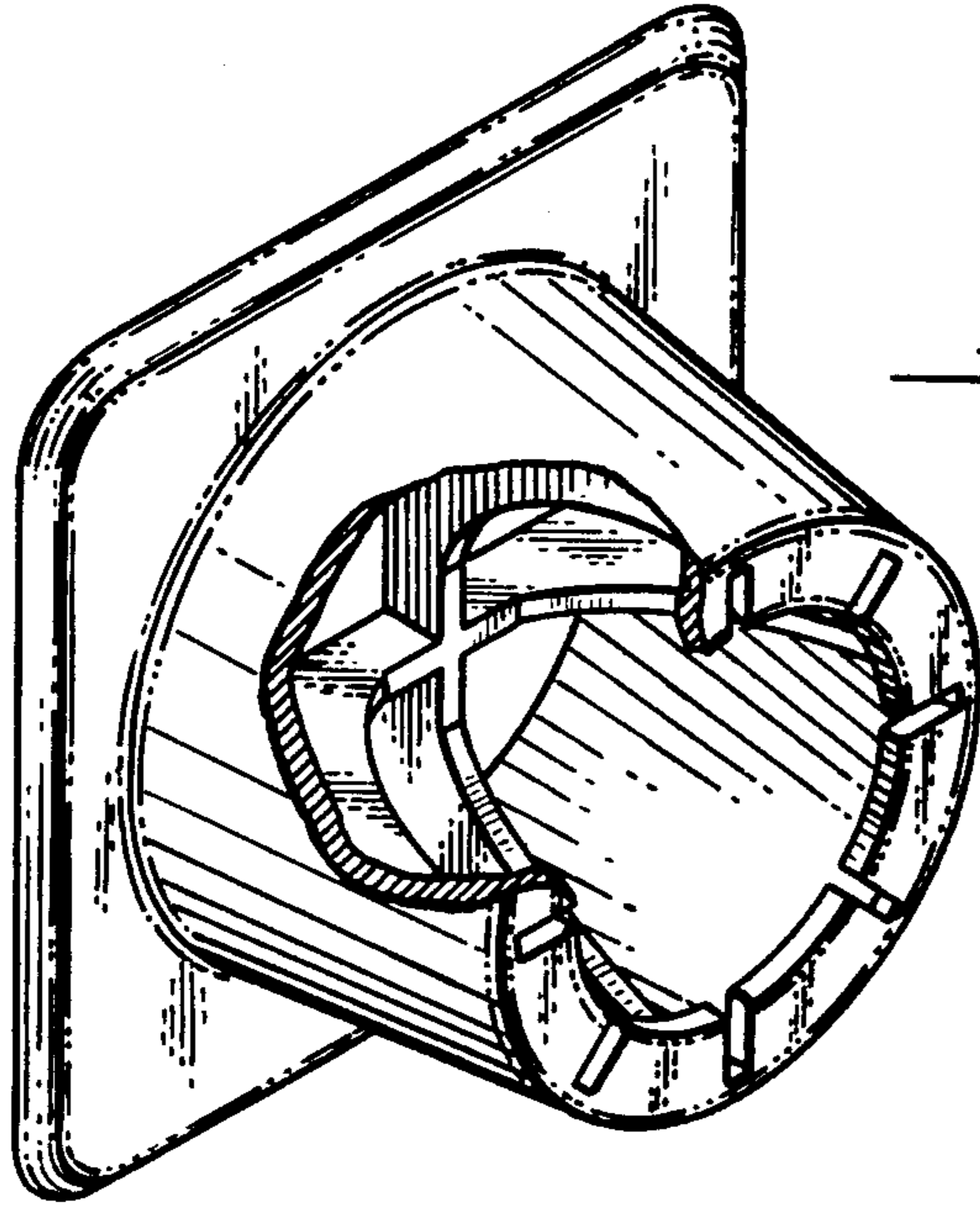
[57] CLAIM

The ornamental design for a door stop, as shown and described.

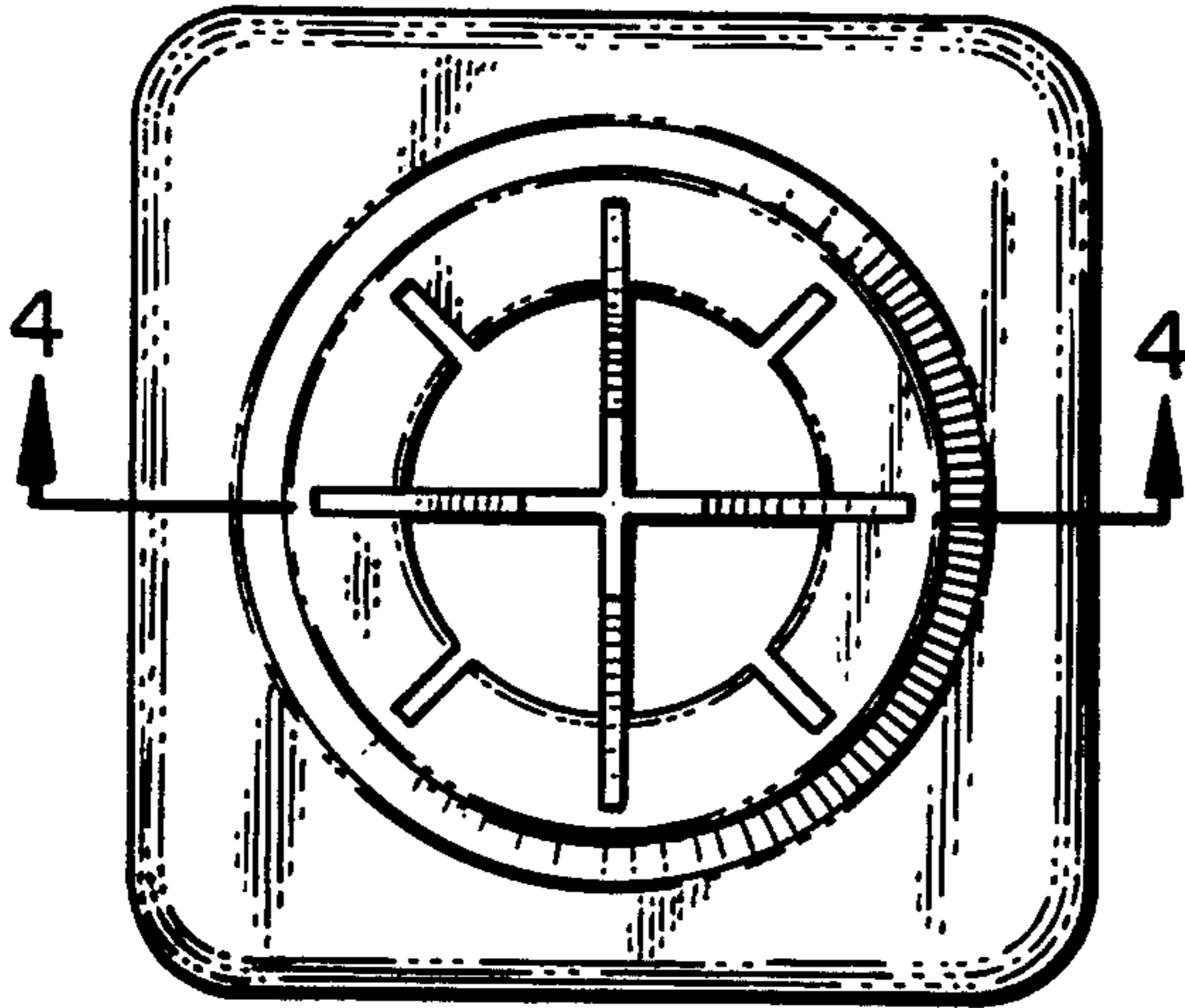
DESCRIPTION

FIG. 1 is a fragmentary perspective view of a door stop showing my new design; a portion being shown broken away for clarity of illustration;  
FIG. 2 is a front elevational view thereof;  
FIG. 3 is a rear elevational view thereof;  
FIG. 4 is a sectional view taken in the direction of the arrows on line 4-4 of FIG. 2;  
FIG. 5 is a side elevational view thereof.

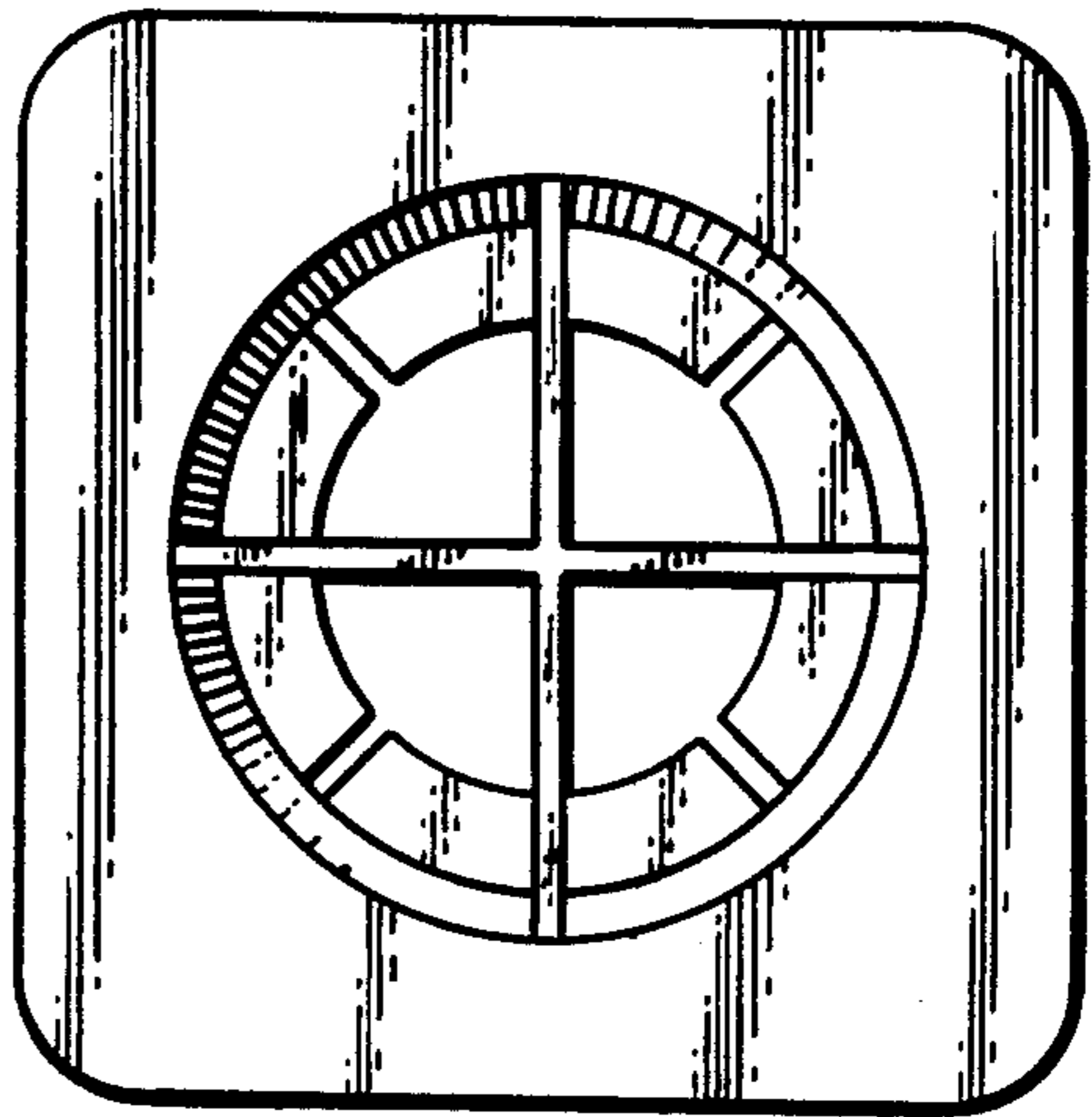




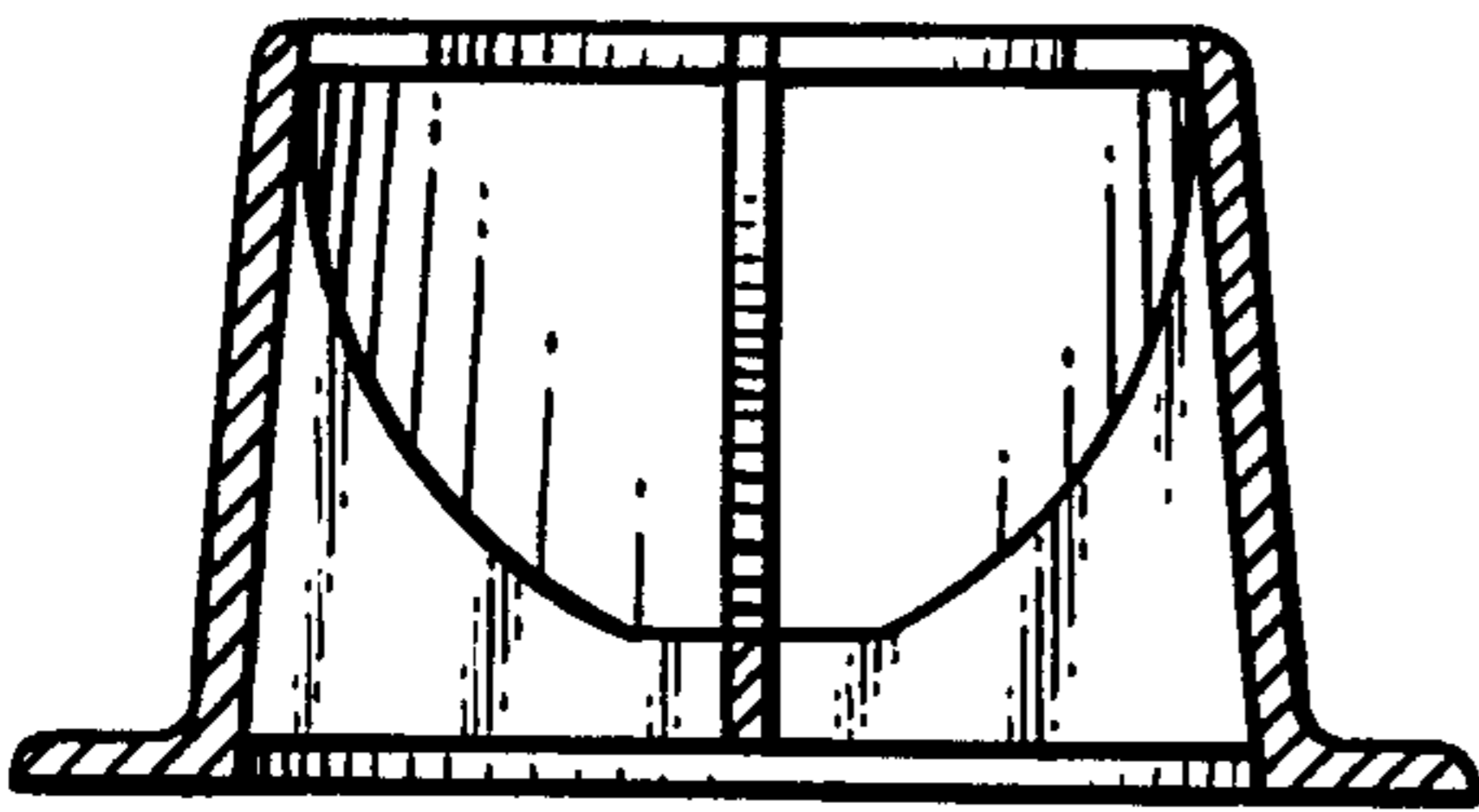
*FIG. 1*



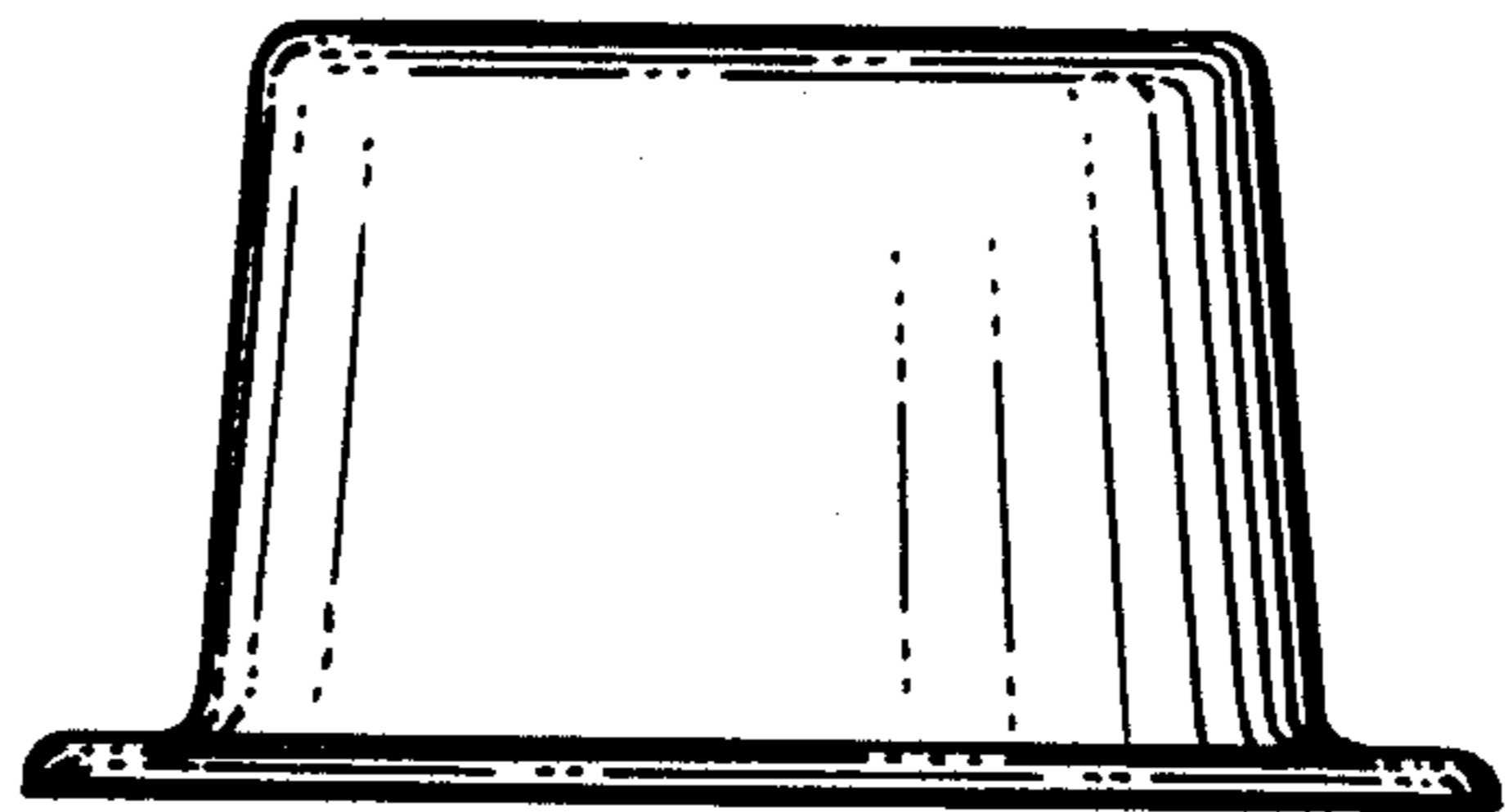
*FIG. 2*



*FIG. 3*



*FIG. 4*



*FIG. 5*