

[54] MICROWAVE OVEN ROASTING RACK
[75] Inventor: William M. Anderson, Lynnwood,
Wash.
[73] Assignee: AMG Industries, Inc., Seattle, Wash.
[**] Term: 14 Years
[21] Appl. No.: 868,669
[22] Filed: Jan. 11, 1978
[51] Int. Cl. D7-02
[52] U.S. Cl. D7/85; 219/10.55 E
[58] Field of Search D7/85, 128, 129, 130,
D7/87, 94, 97, 122, 123; D9/219; 219/10.55 E;
99/425, DIG. 14, 444; 126/51

[56] References Cited
U.S. PATENT DOCUMENTS
D. 197,663 3/1964 O'Reilly D7/87

D. 199,135 9/1964 Wright D7/122
3,994,212 11/1976 Wong 99/444

OTHER PUBLICATIONS

Litton, "Roasting Rack Set", 1972, 1 page brochure by
Litton Systems, Inc.

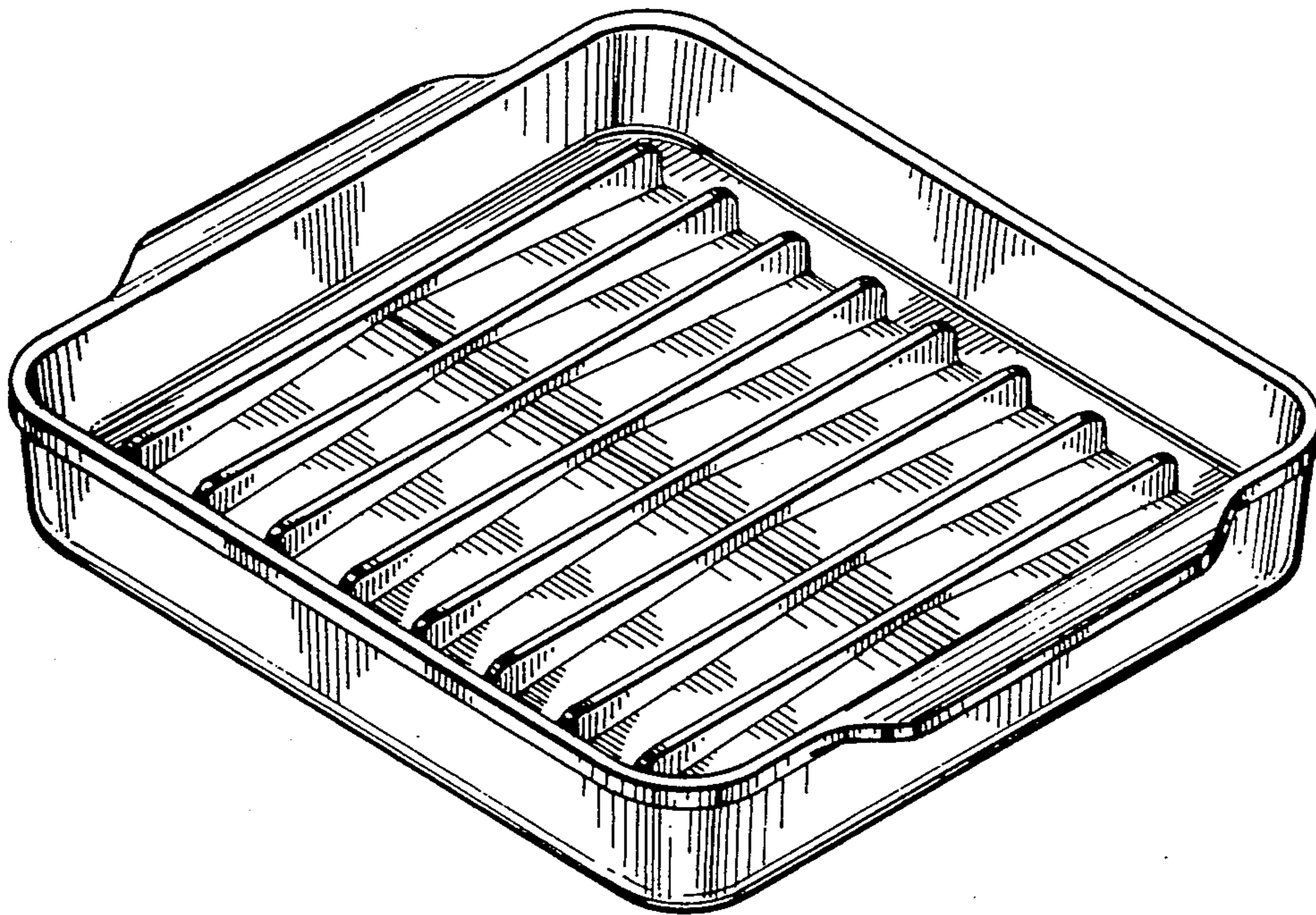
Primary Examiner—Donald B. Moyer
Attorney, Agent, or Firm—John O. Graybeal

[57] CLAIM

The ornamental design for a microwave oven roasting
rack, substantially as shown.

DESCRIPTION

FIG. 1 is an isometric view from the top of a microwave
oven roasting rack, showing my new design;
FIG. 2 is a top plan view thereof;
FIG. 3 is a side elevational view thereof;
FIG. 4 is an end elevational view thereof; and
FIG. 5 is an isometric view showing the bottom thereof.



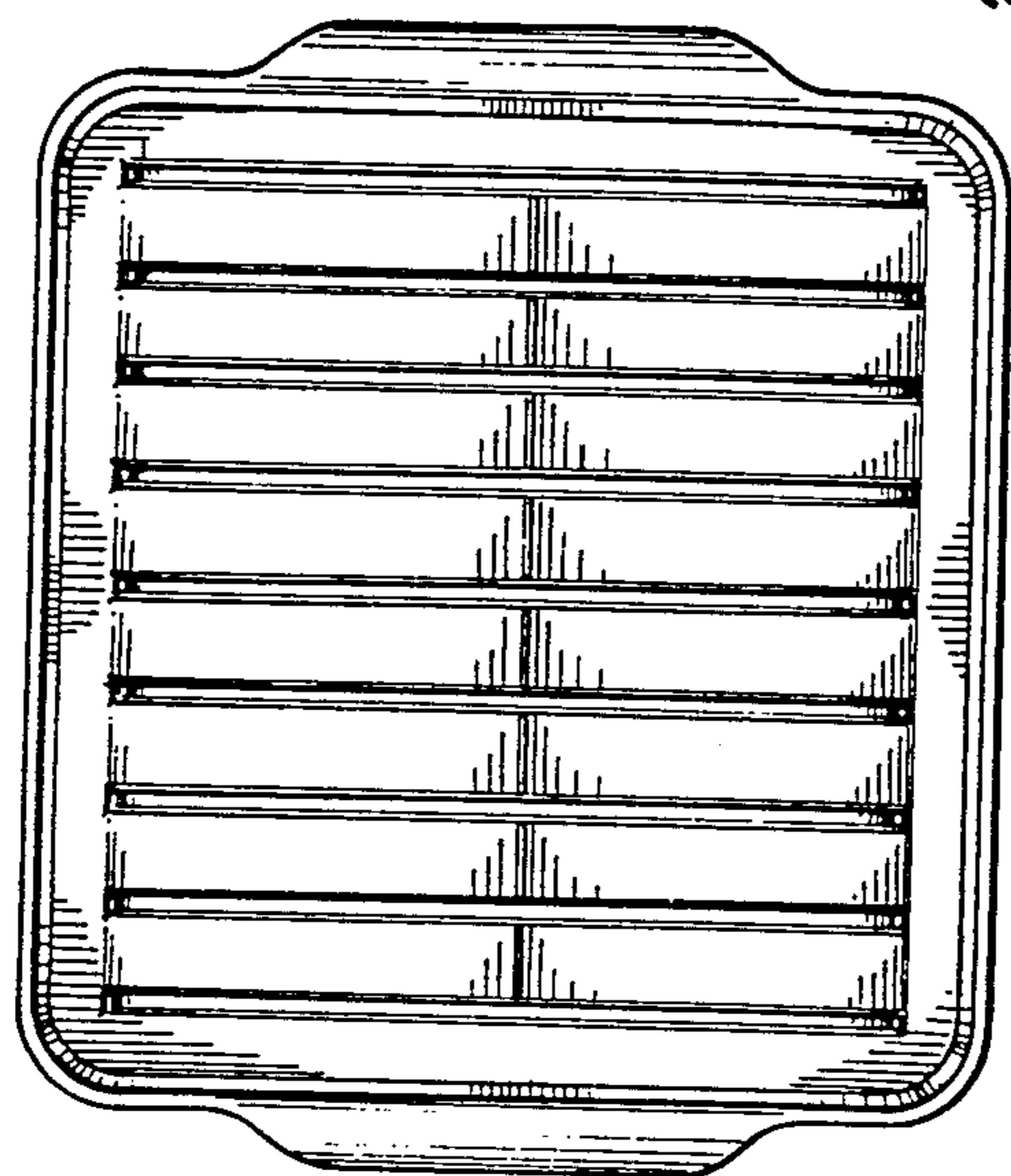


Fig. 2.

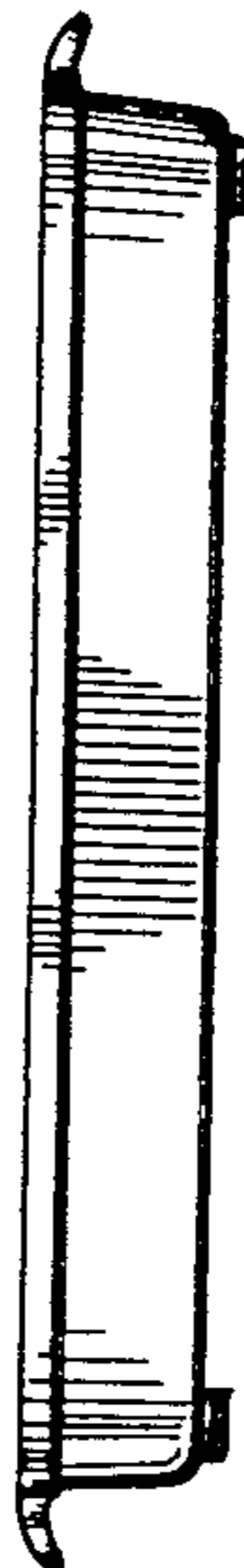


Fig. 3.



Fig. 4.

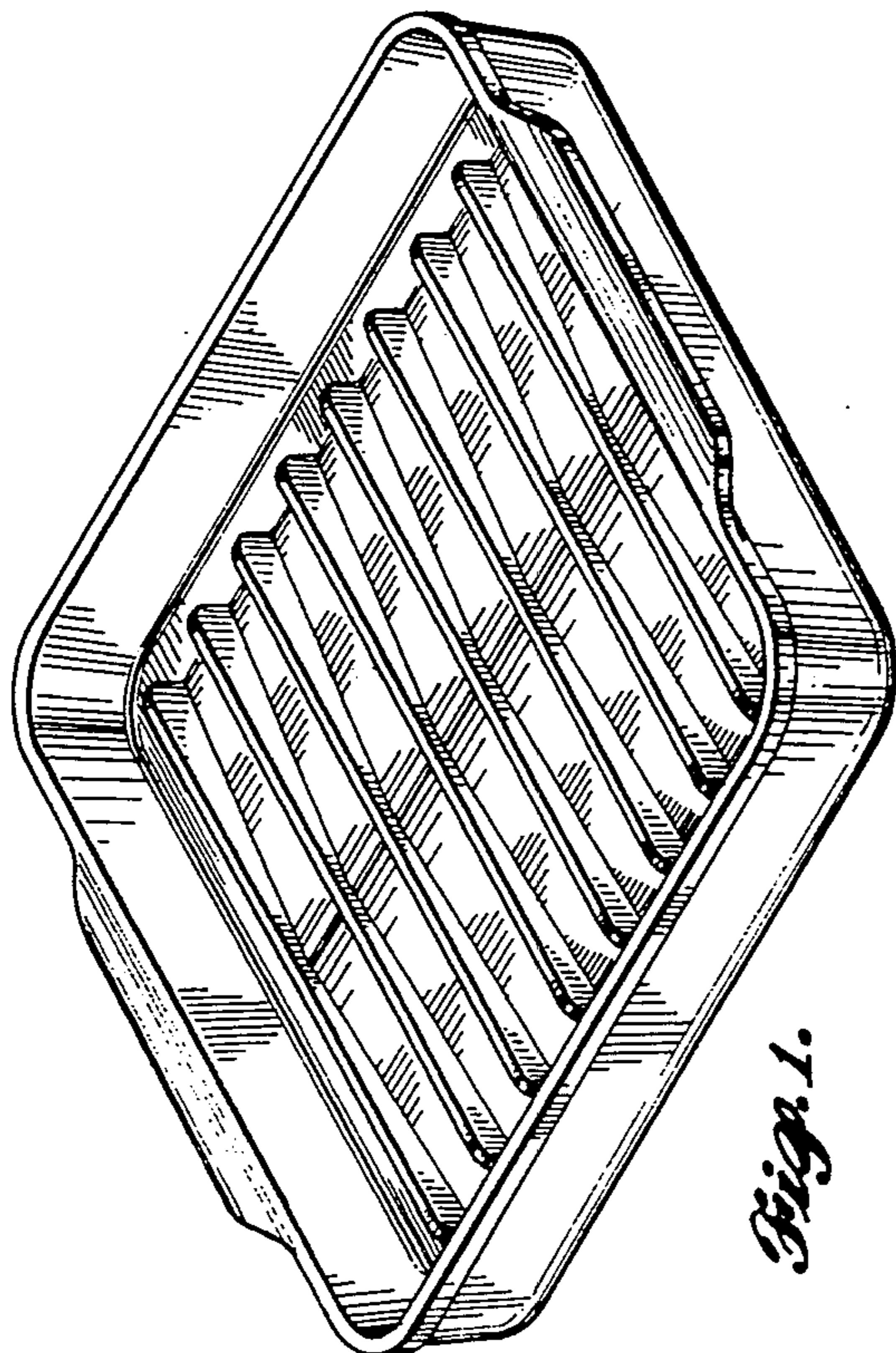


Fig. 1.

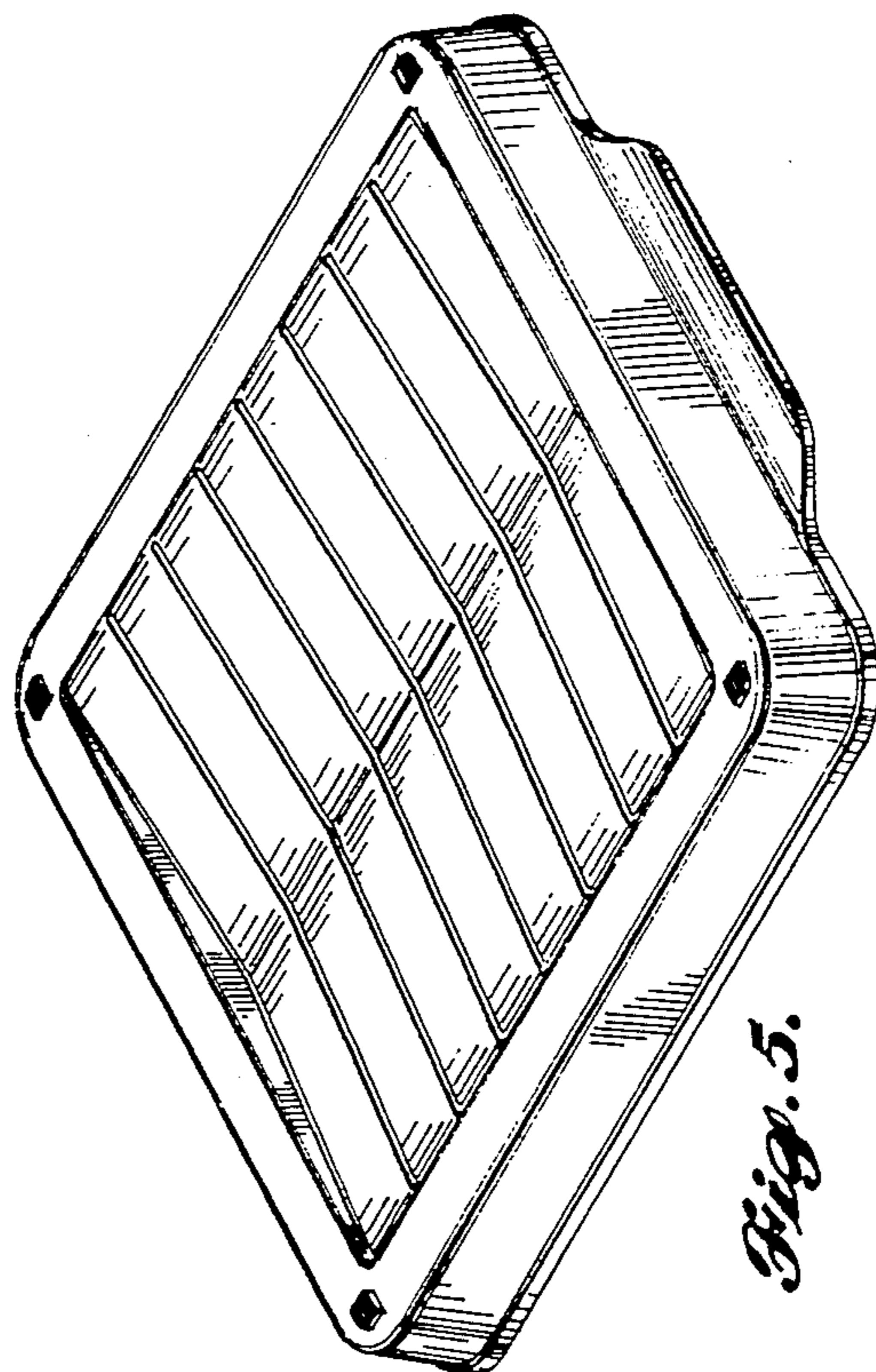


Fig. 5.