

[54] COMPARTMENTED DISH OR THE LIKE

[56]

References Cited

[75] Inventor: Rino Conti, Stoughton, Mass.

U.S. PATENT DOCUMENTS

[73] Assignee: Dart Industries Inc., Los Angeles, Calif.

D. 184,213	1/1959	Despres .....	D9/189
D. 209,605	12/1967	Zoeller et al. ....	D7/96
D. 210,739	4/1968	Hasselbach .....	D11/155
D. 212,495	10/1968	Stageberg .....	D7/38

Primary Examiner—Winifred E. Herrmann  
Attorney, Agent, or Firm—Leigh B. Taylor

[\*\*] Term: 14 Years

[57]

CLAIM

[21] Appl. No.: 11,249

The ornamental design for a compartmented dish or the like, substantially as shown.

[22] Filed: Feb. 12, 1979

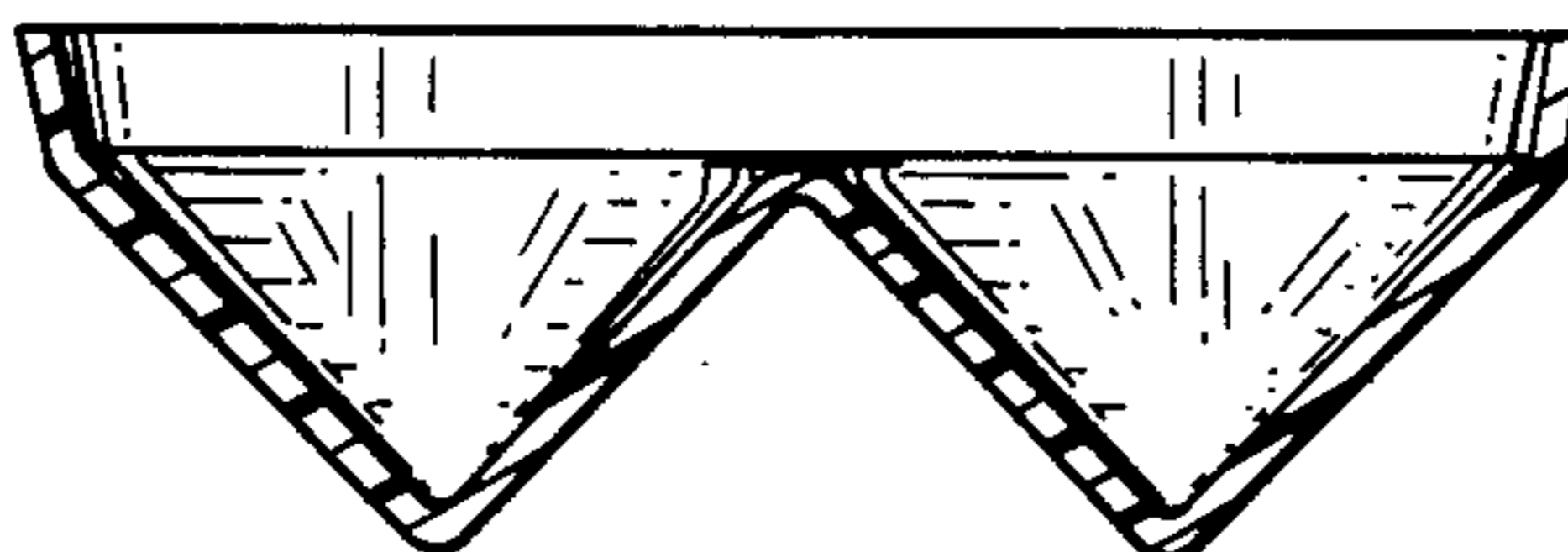
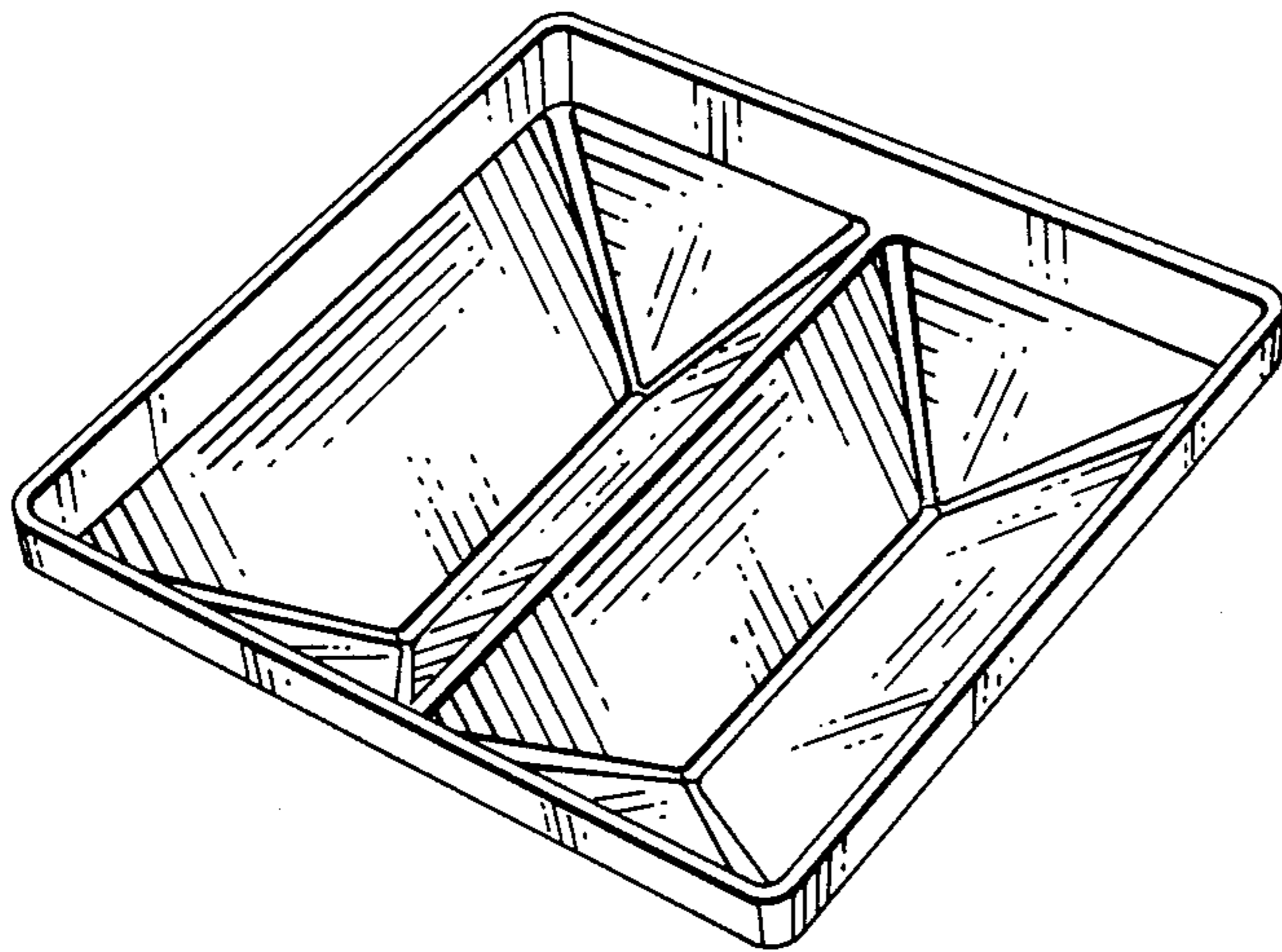
DESCRIPTION

[51] Int. Cl. .... D07—01; D07—99

FIG. 1 is a top perspective view of a compartmented dish or the like showing my new design;  
FIG. 2 is a front elevational view thereof;  
FIG. 3 is a top plan view thereof;  
FIG. 4 is a bottom plan view thereof;  
FIG. 5 is a side elevational view thereof; and  
FIG. 6 is a cross-sectional view thereof taken along line 6—6 of FIG. 3.

[52] U.S. Cl. .... D7/38; D7/96; D9/189

[58] Field of Search ..... 220/23.8, 74; 206/519, 206/520, 518, 515; 229/2.5; D9/184, 187, 189; D7/38, 37, 96, 41; D11/155, 156



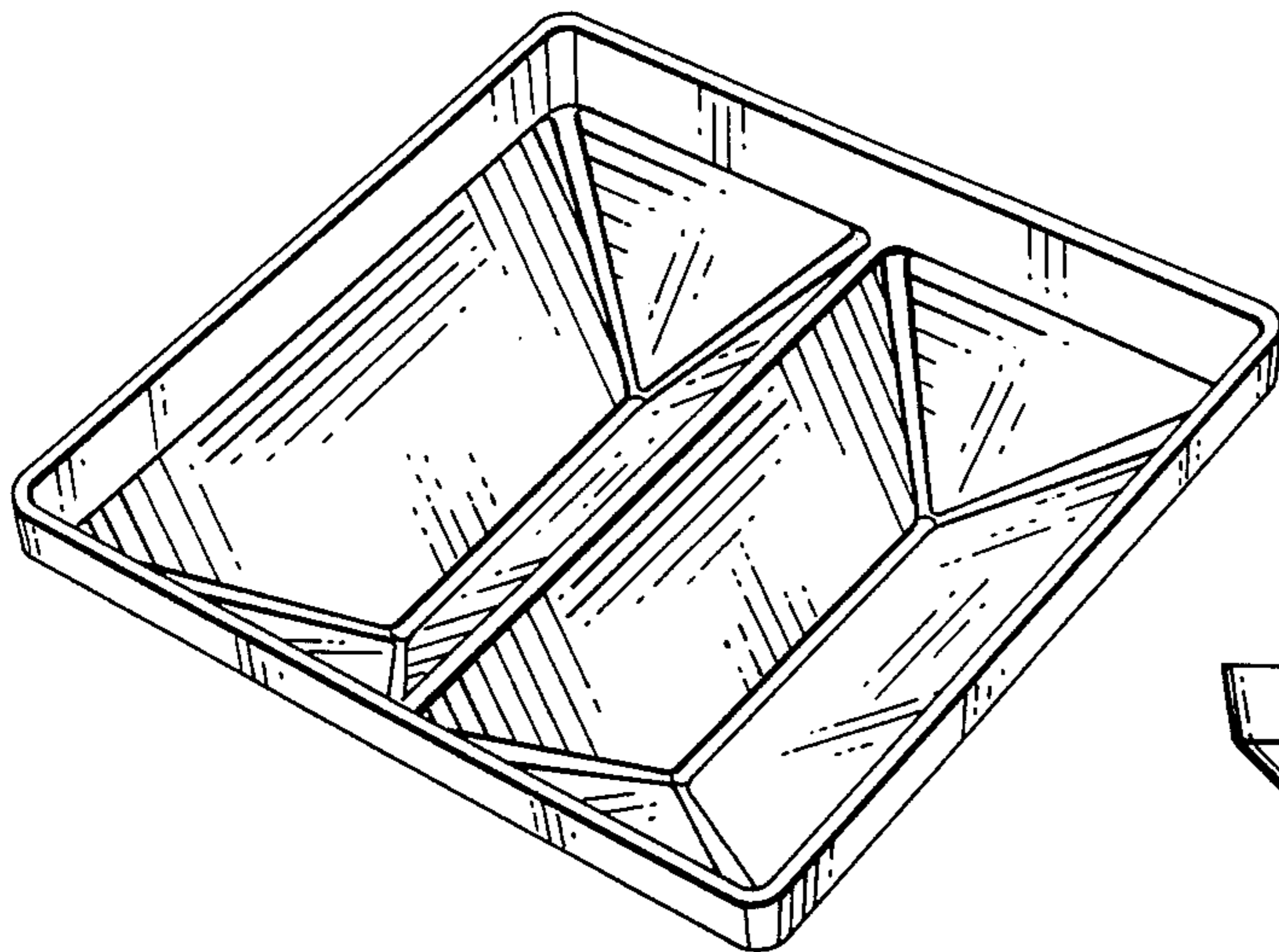


FIG. 1

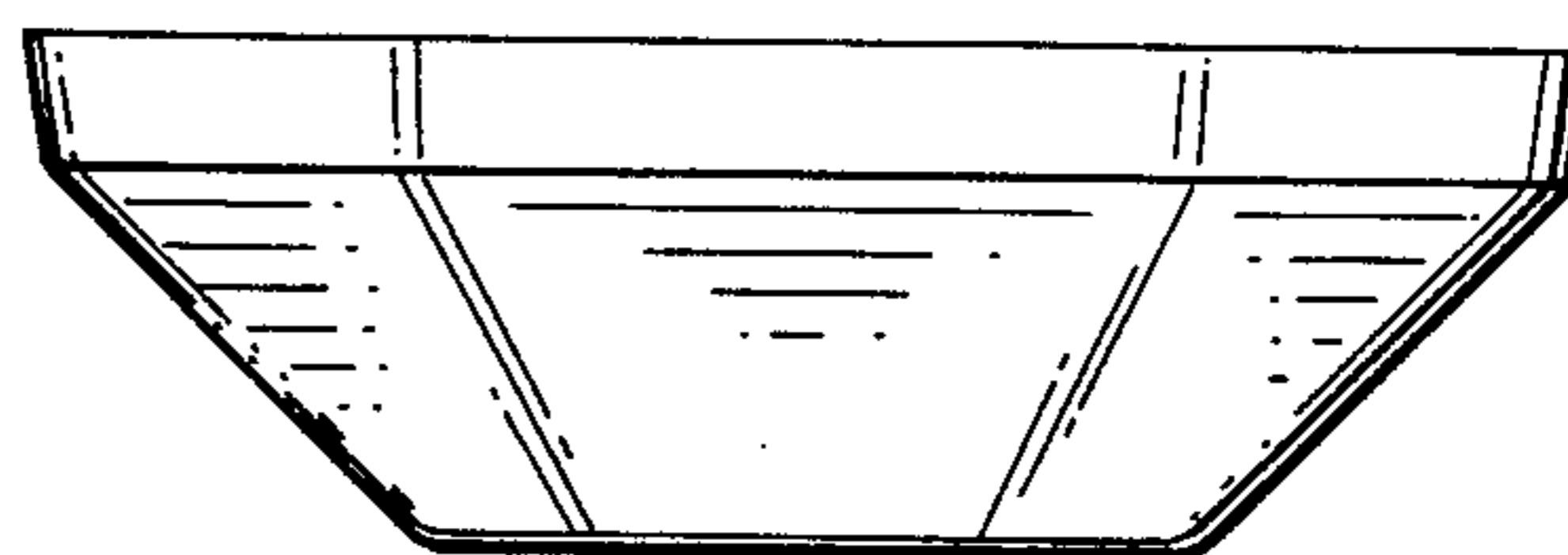


FIG. 2

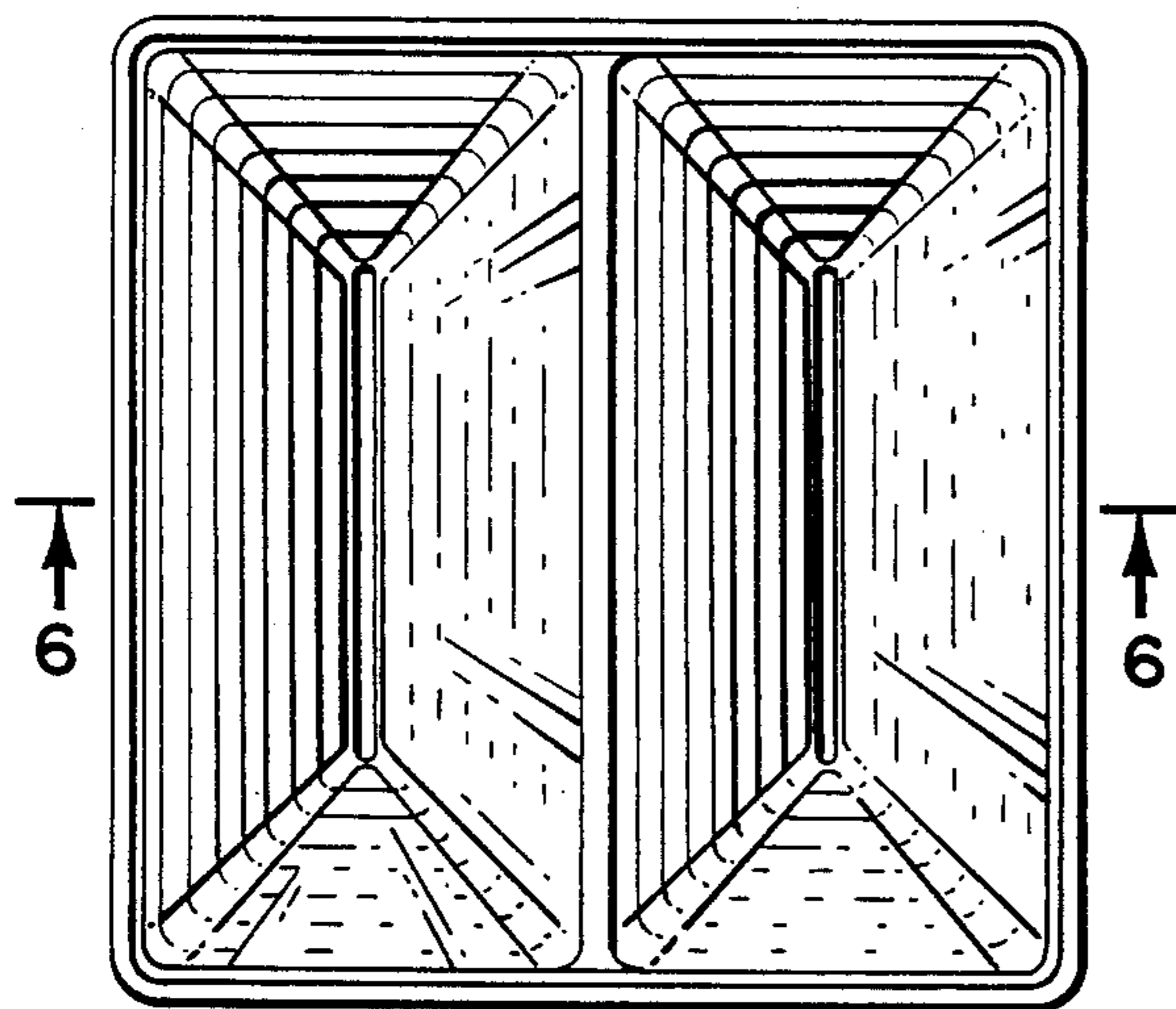


FIG. 3

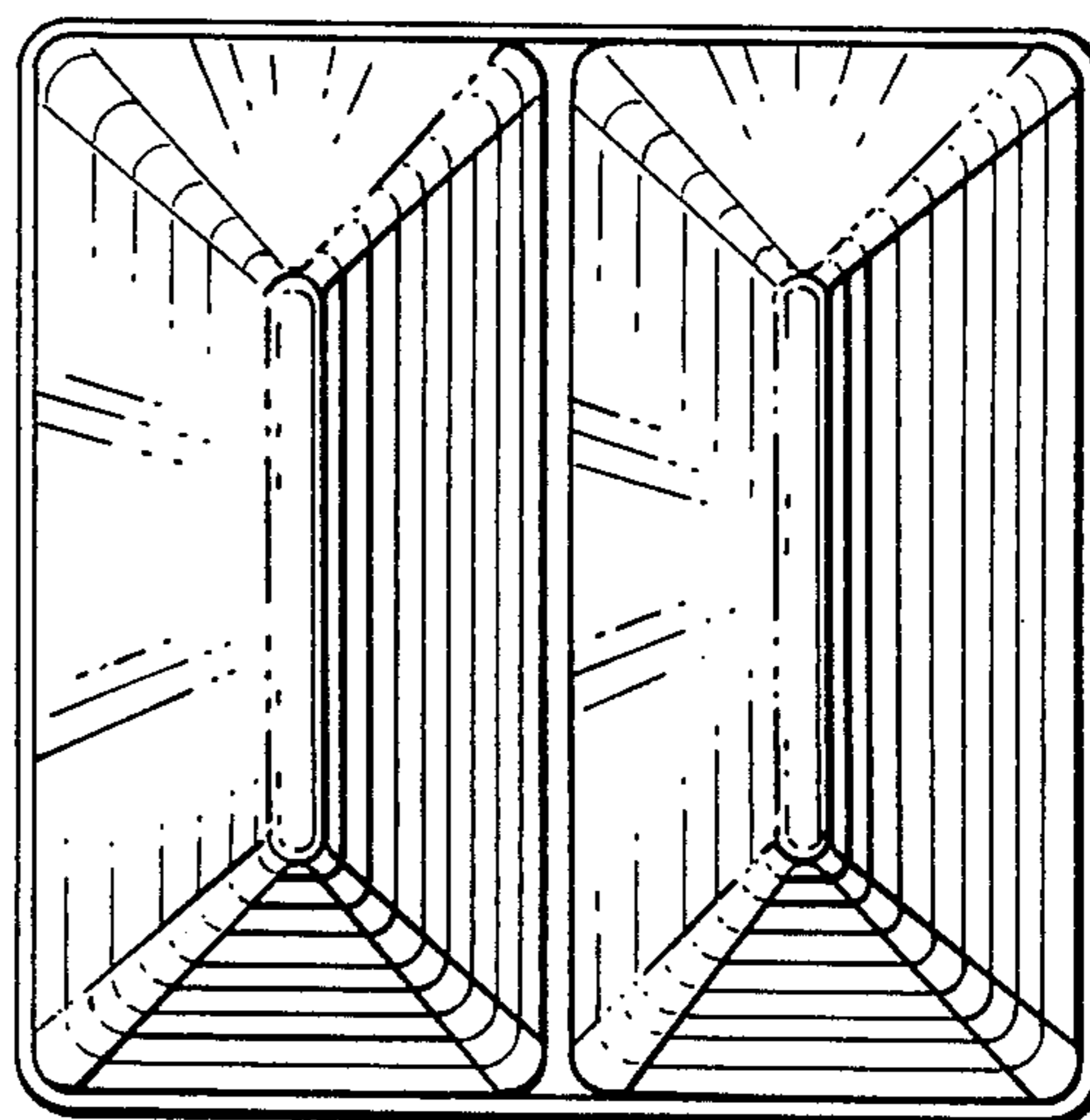


FIG. 4

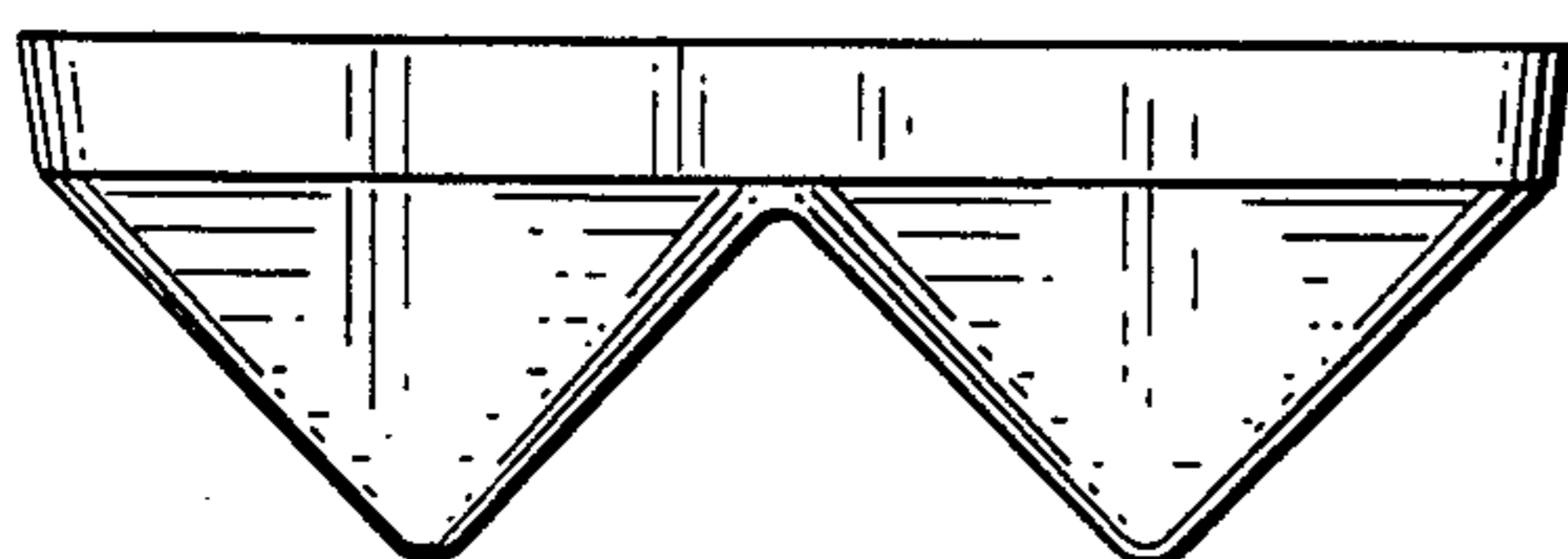


FIG. 5

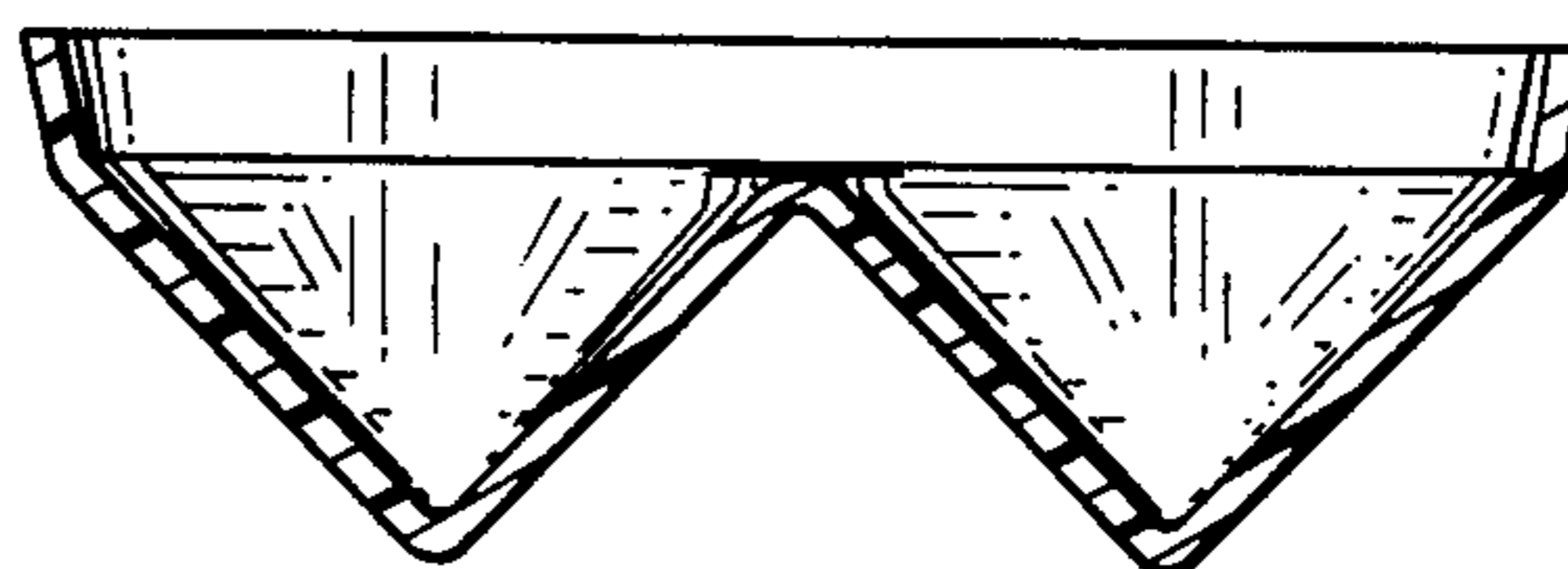


FIG. 6