

[54] COMPARTMENTED SERVING TRAY OR THE LIKE

D. 249,917 10/1978 Collins D7/21 X
3,468,468 9/1969 Foote 229/2.5 X

[75] Inventor: Rino Conti, Stoughton, Mass.

OTHER PUBLICATIONS

[73] Assignee: Dart Industries Inc., Los Angeles, Calif.

Food Processing Industry, Nov./Dec., 1970, p. 118, Dring Ltd. Adv., Vacuum Formed Container, top left Compartmented Tray.

[**] Term: 14 Years

Primary Examiner—Winifred E. Herrmann
Attorney, Agent, or Firm—Leigh B. Taylor

[21] Appl. No.: 11,246

[22] Filed: Feb. 12, 1979

[57] CLAIM

[51] Int. Cl. D07—99

The ornamental design for a compartmented serving tray or the like, substantially as shown.

[52] U.S. Cl. D7/38; D9/189

DESCRIPTION

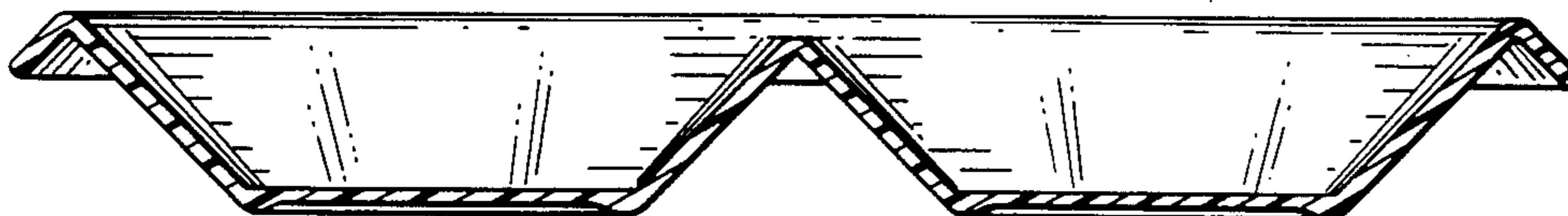
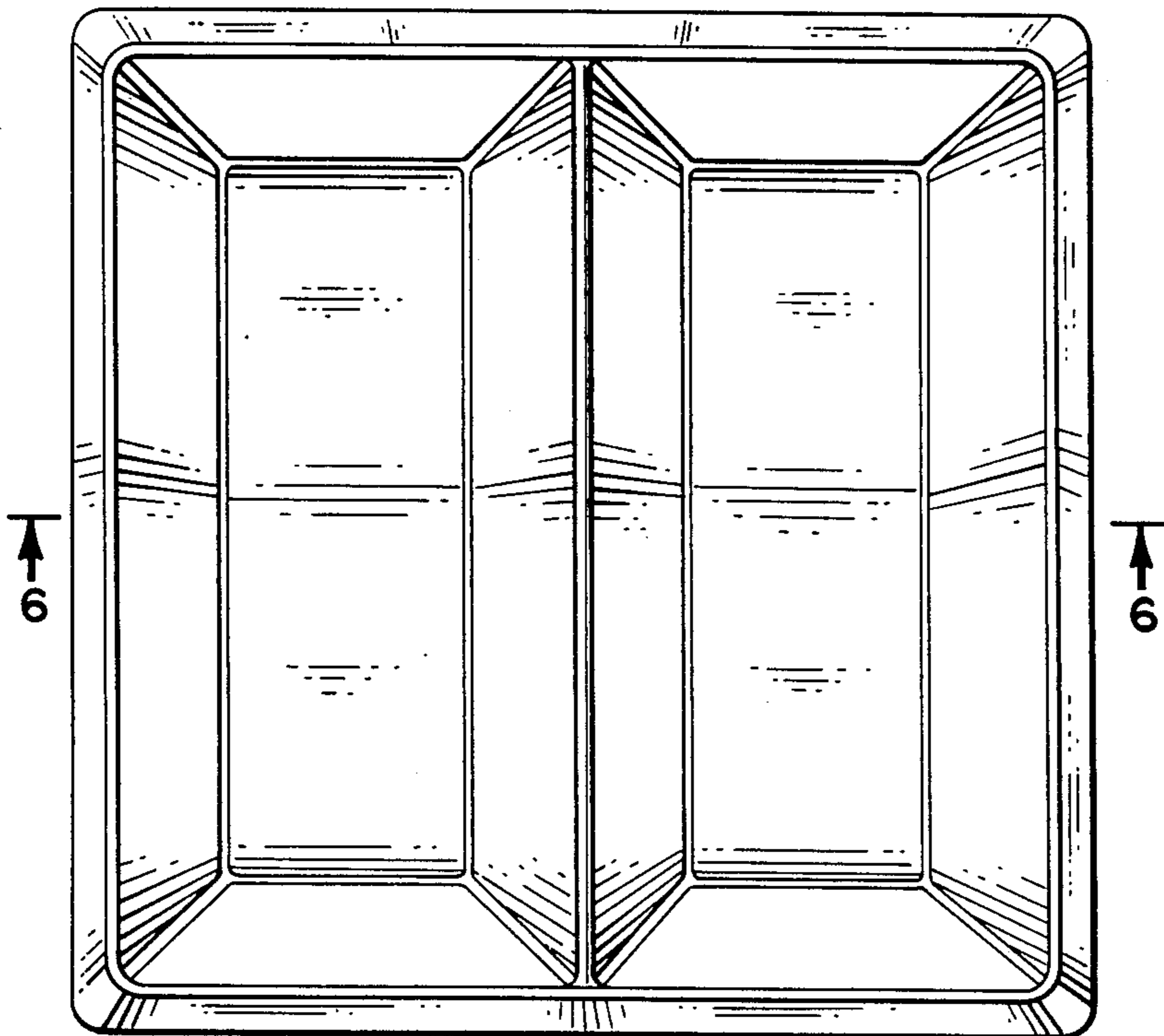
[58] Field of Search 229/2.5; 220/74, 23.8; 206/519, 520, 518, 515; D7/96, 38, 37, 85, 41, 3; D9/219, 242, 184, 185, 187, 189; D11/155, 156, 143

FIG. 1 is a top perspective view of a compartmented serving tray or the like showing my new design; FIG. 2 is a front elevational view thereof; FIG. 3 is a top plan view thereof; FIG. 4 is a bottom plan view thereof; FIG. 5 is a side elevational view thereof; FIG. 6 is an enlarged cross-sectional view thereof taken along line 6—6 of FIG. 3; and FIG. 7 is an enlarged cross-sectional view thereof taken along line 7—7 of FIG. 2.

[56] References Cited

U.S. PATENT DOCUMENTS

D. 168,230	11/1952	Laughlin	D7/21
D. 212,495	10/1968	Stageberg	D7/38
D. 235,498	6/1975	Day	D9/185 X
240,138	4/1881	Jackson	D7/96 X



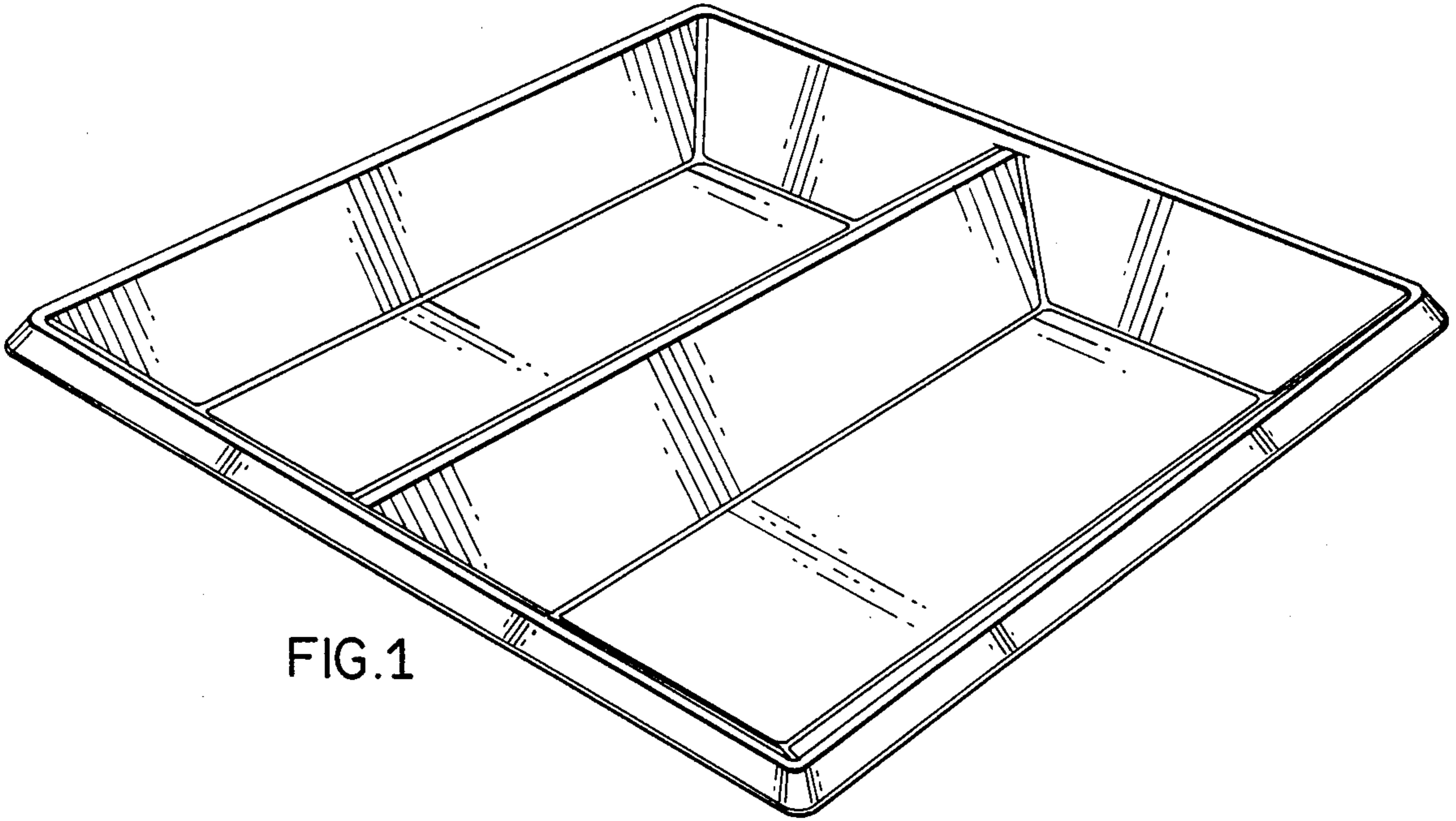


FIG. 1

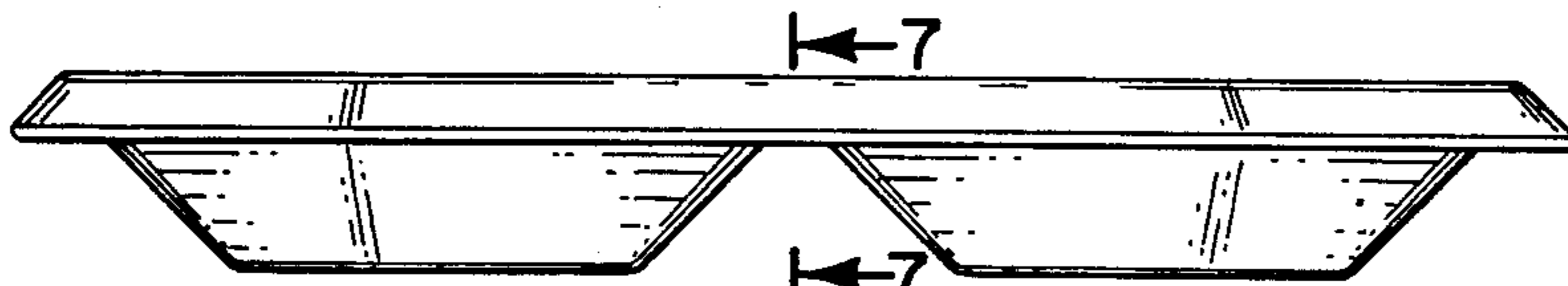


FIG. 2

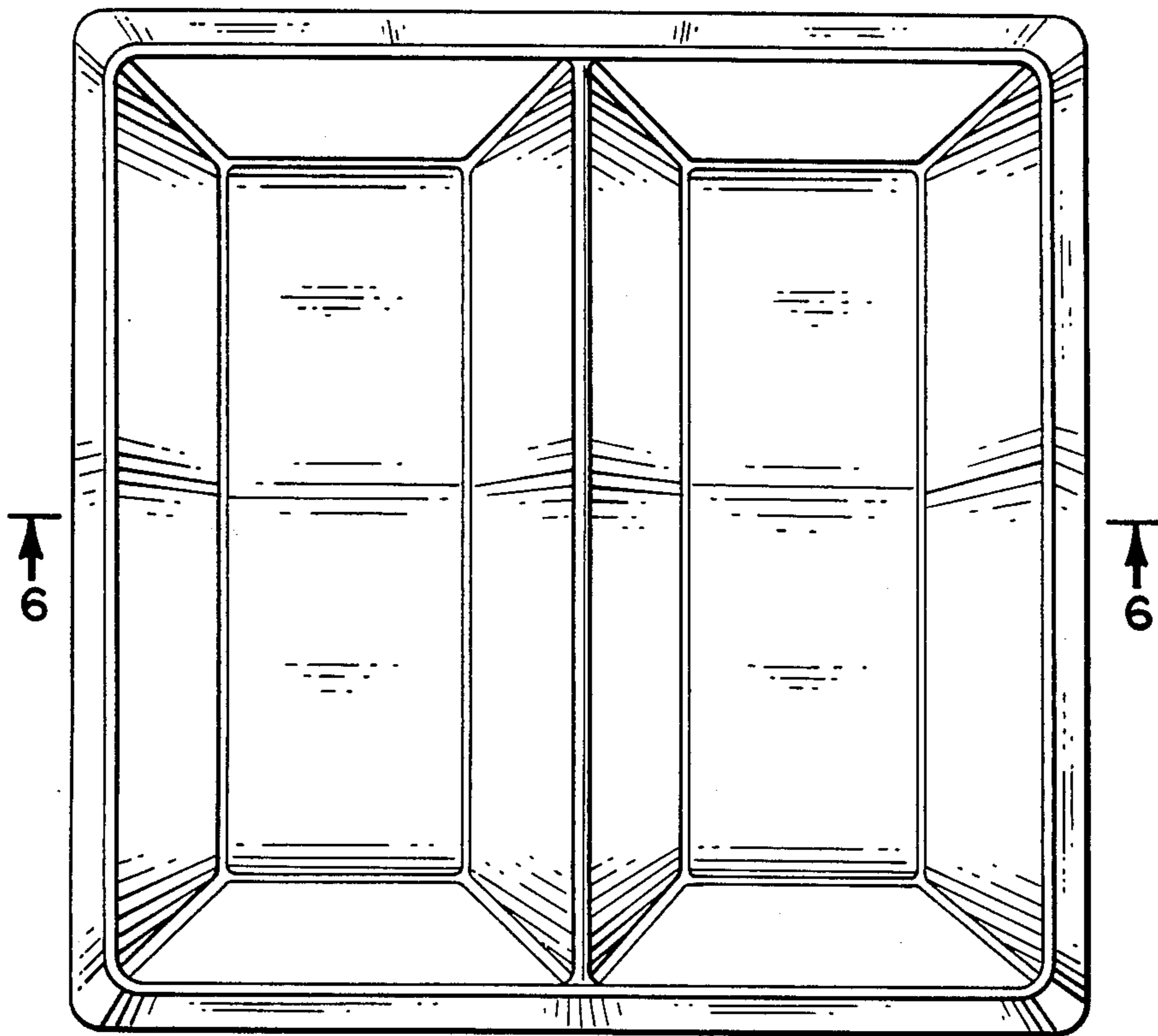


FIG. 3

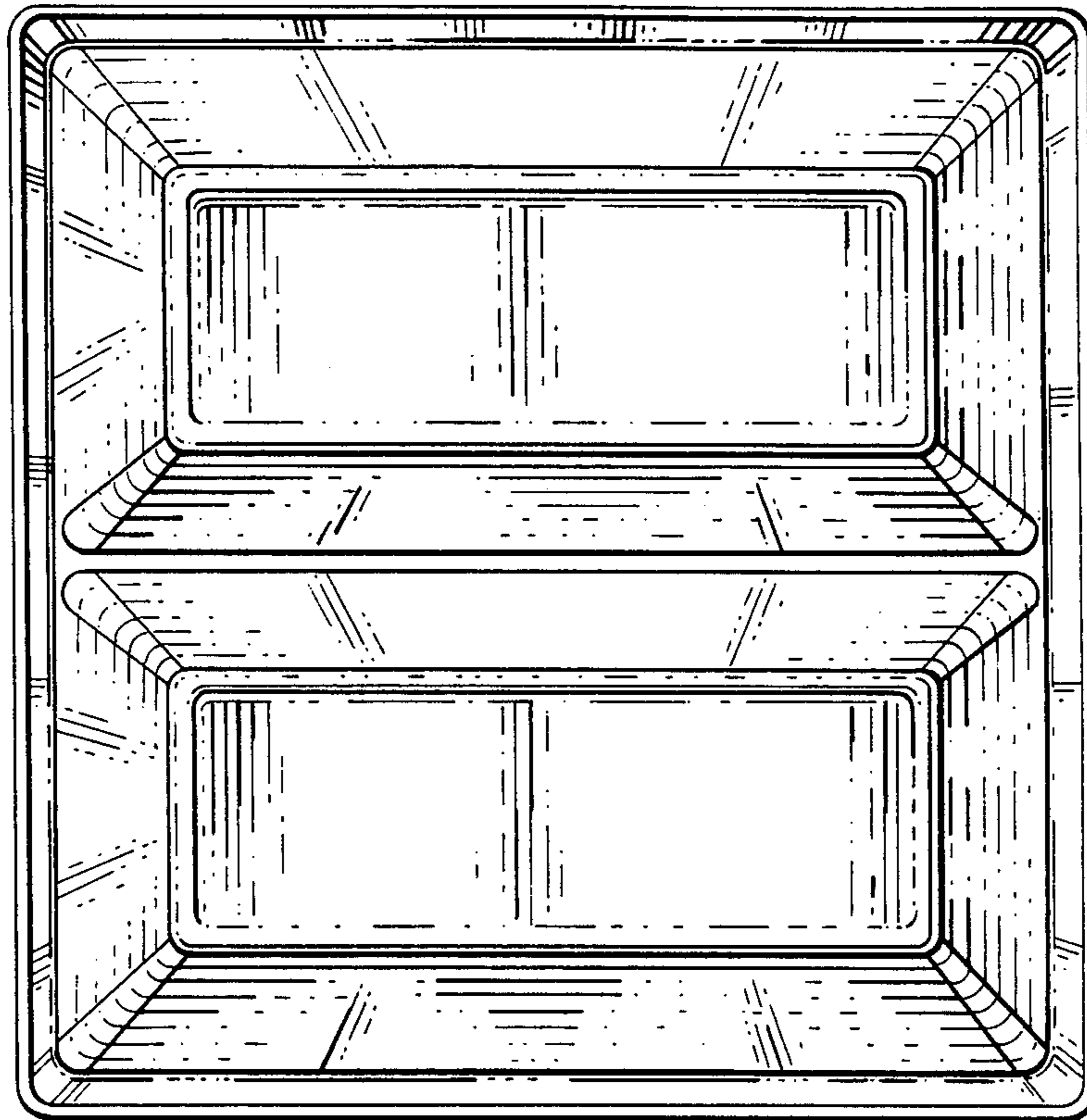


FIG. 4

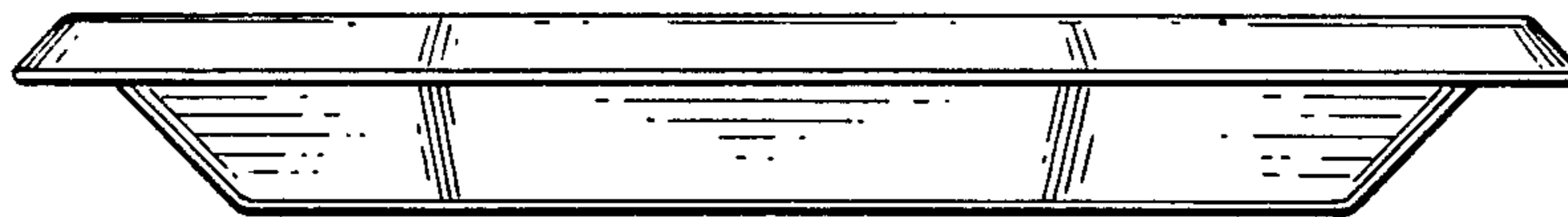


FIG. 5

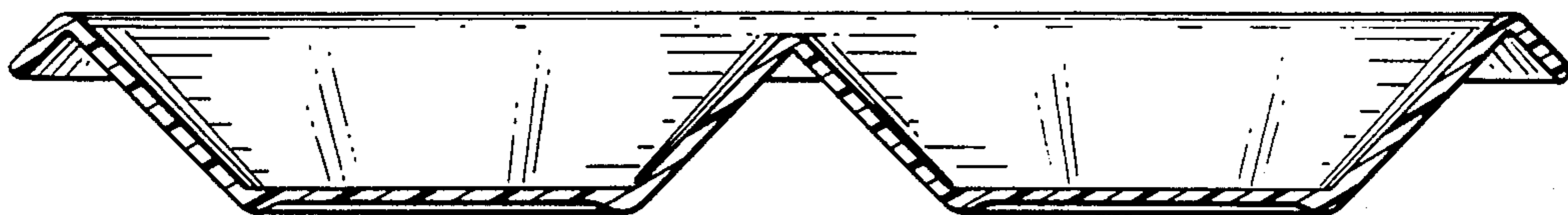


FIG. 6



FIG. 7