

[54] **DISH OR THE LIKE**

[75] Inventor: **Robert H. C. M. Daenen**, Hekelgem, Belgium

[73] Assignee: **Dart Industries Inc.**, Los Angeles, Calif.

[**] Term: **14 Years**

[21] Appl. No.: **32,066**

[22] Filed: **Apr. 23, 1979**

[51] Int. Cl. **D07-01**

[52] U.S. Cl. **D7/1**

[58] Field of Search 229/2.5; 220/74; 206/519, 520, 518, 515; D7/45, 37, 1, 3, 38, 41, 85, 83; D9/219, 242; D11/143, 152

[56] **References Cited**

U.S. PATENT DOCUMENTS

D. 162,228	2/1951	Russell	D7/37 X
D. 162,371	3/1951	Bauer	D7/41
D. 201,760	7/1965	Arnold	D7/38

D. 244,169	5/1977	Barnsley	D7/37 X
D. 251,652	4/1979	Molloy	D7/38
2,210,102	8/1940	Studel	D7/83 X
2,495,132	1/1950	Remco	D7/38 X
2,998,159	8/1961	Branaman	D7/37 X

OTHER PUBLICATIONS

Toast and Things-Waters-Genter Co., 10-1-34, Div. of McGraw Elec. Co., p. 17-Tray at bottom.

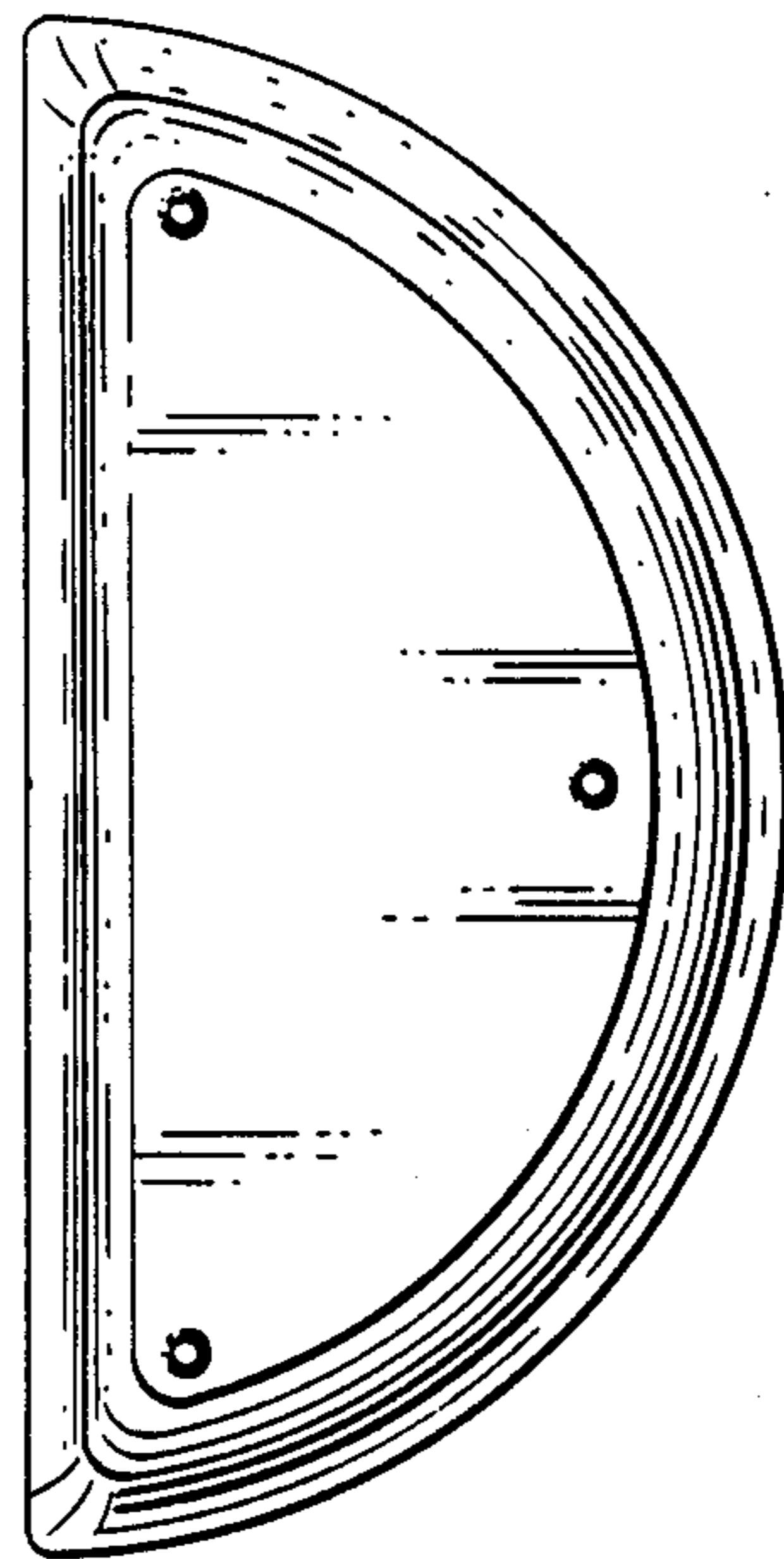
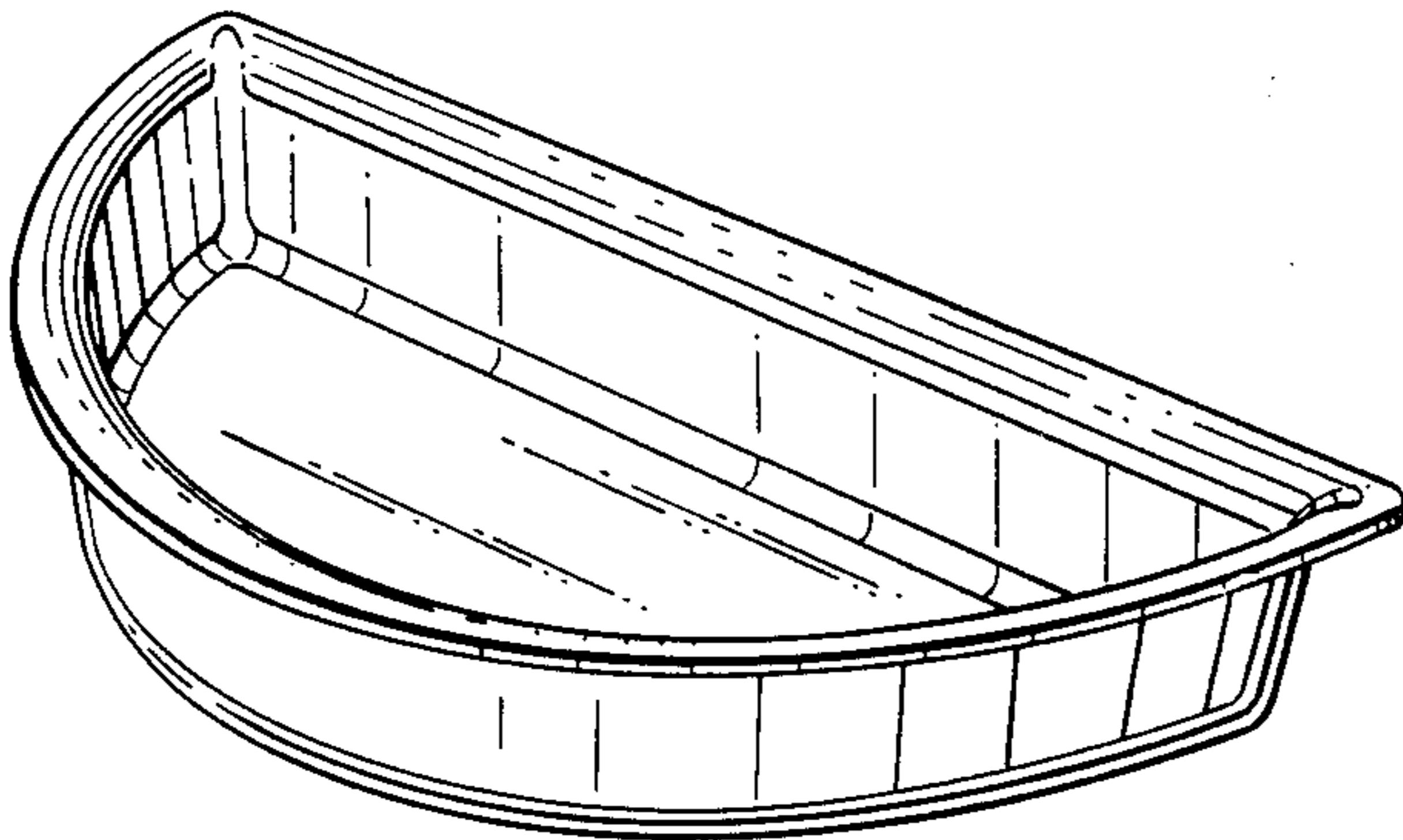
Primary Examiner-Winifred E. Herrmann
Attorney, Agent, or Firm-Leigh B. Taylor

[57] **CLAIM**

The ornamental design for a dish or the like, substantially as shown.

DESCRIPTION

FIG. 1 is a top perspective view of a dish or the like showing my new design;
FIG. 2 is a front elevational view thereof;
FIG. 3 is a rear elevational view thereof;
FIG. 4 is a side elevational view thereof;
FIG. 5 is a top plan view thereof; and
FIG. 6 is a bottom plan view thereof.



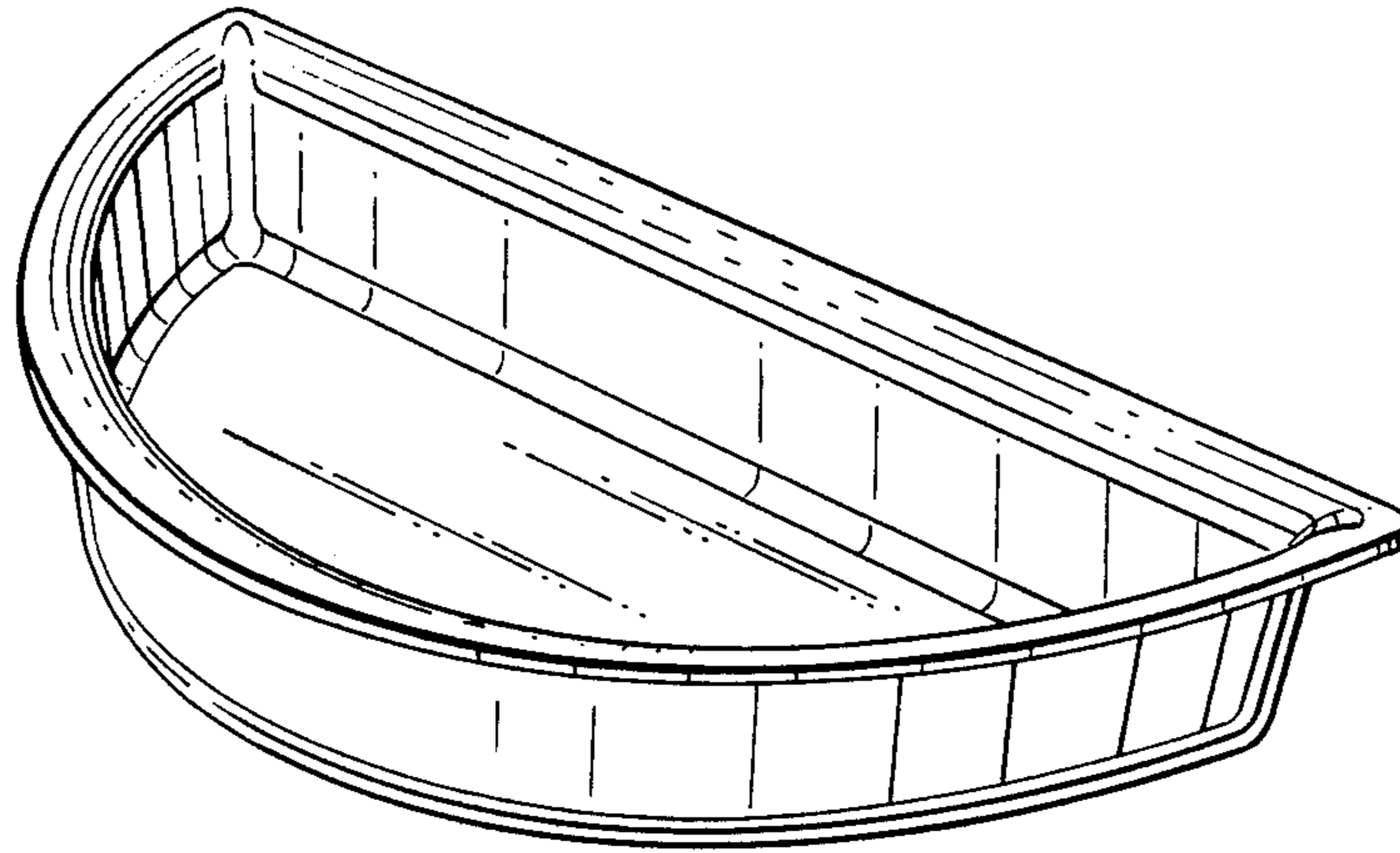


FIG. 1

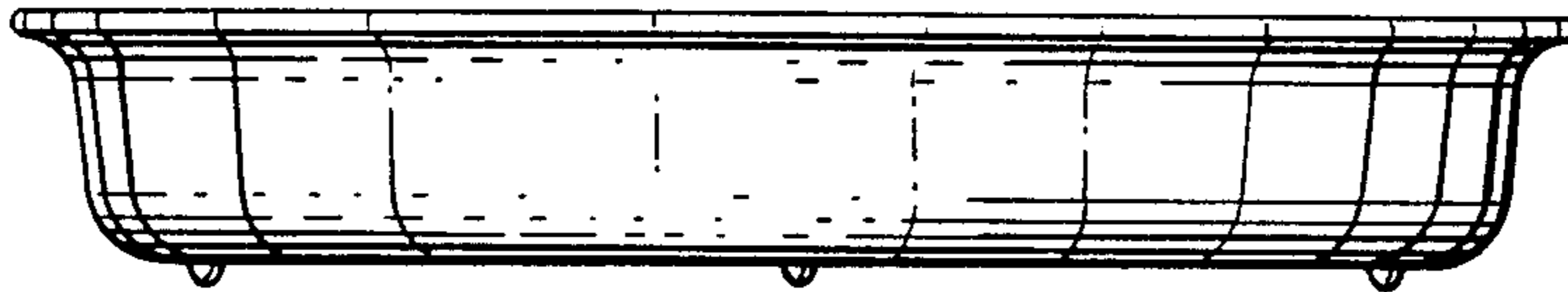


FIG. 2

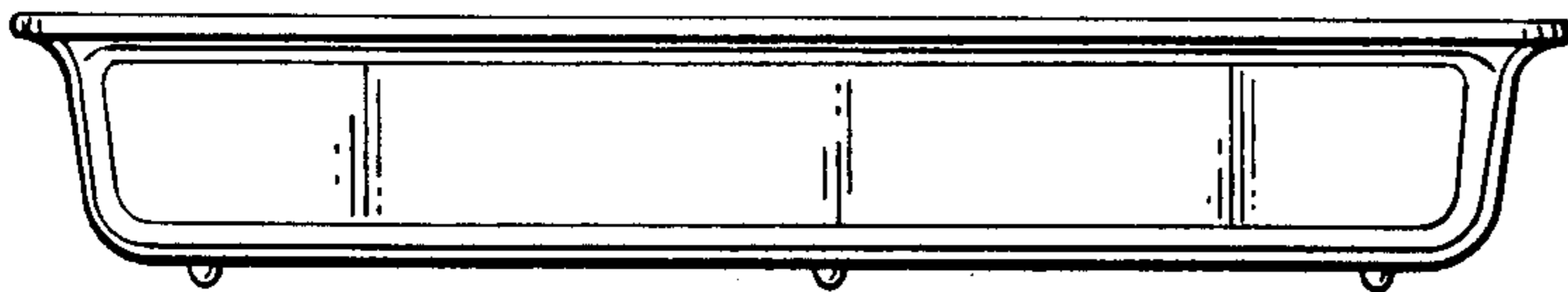


FIG. 3

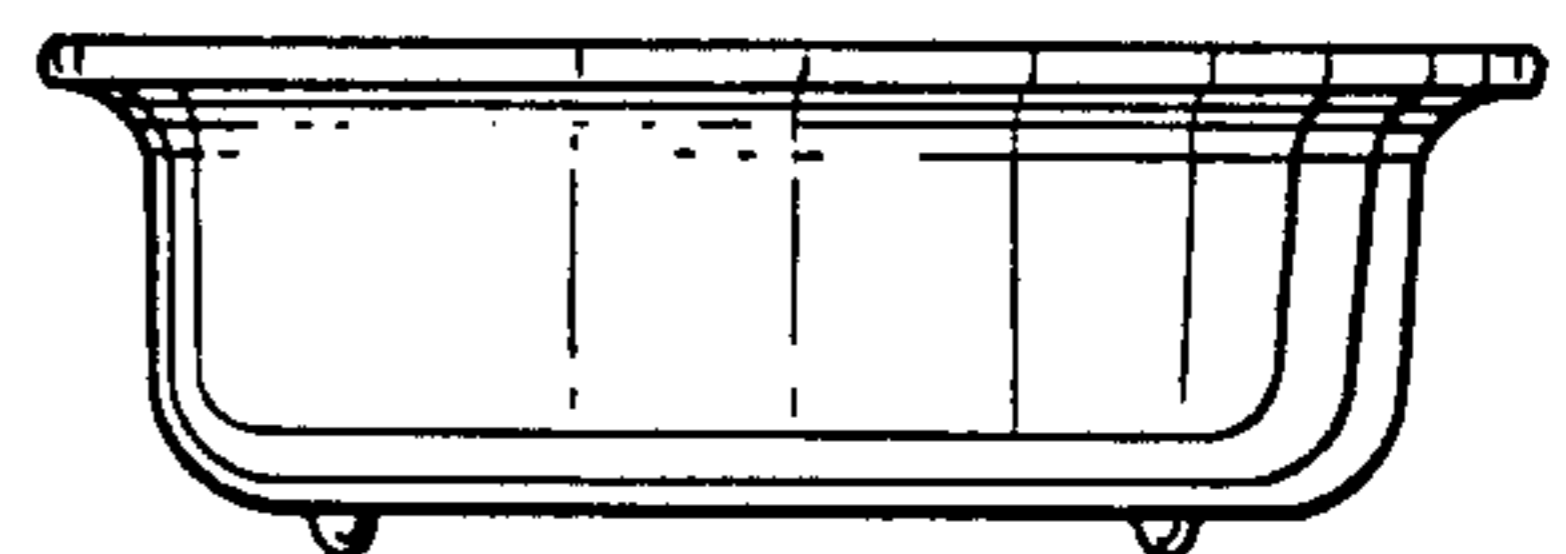


FIG. 4

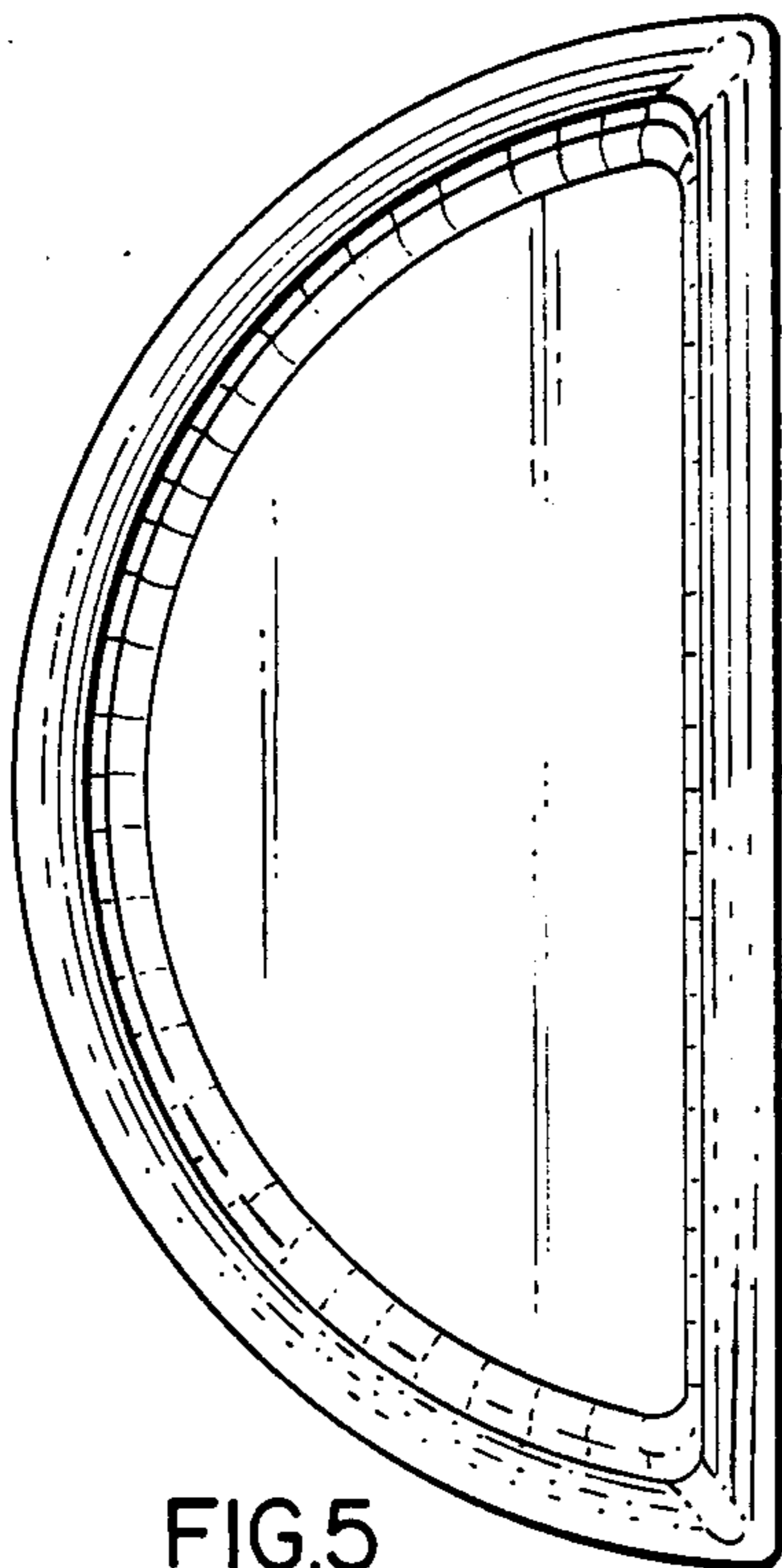


FIG. 5

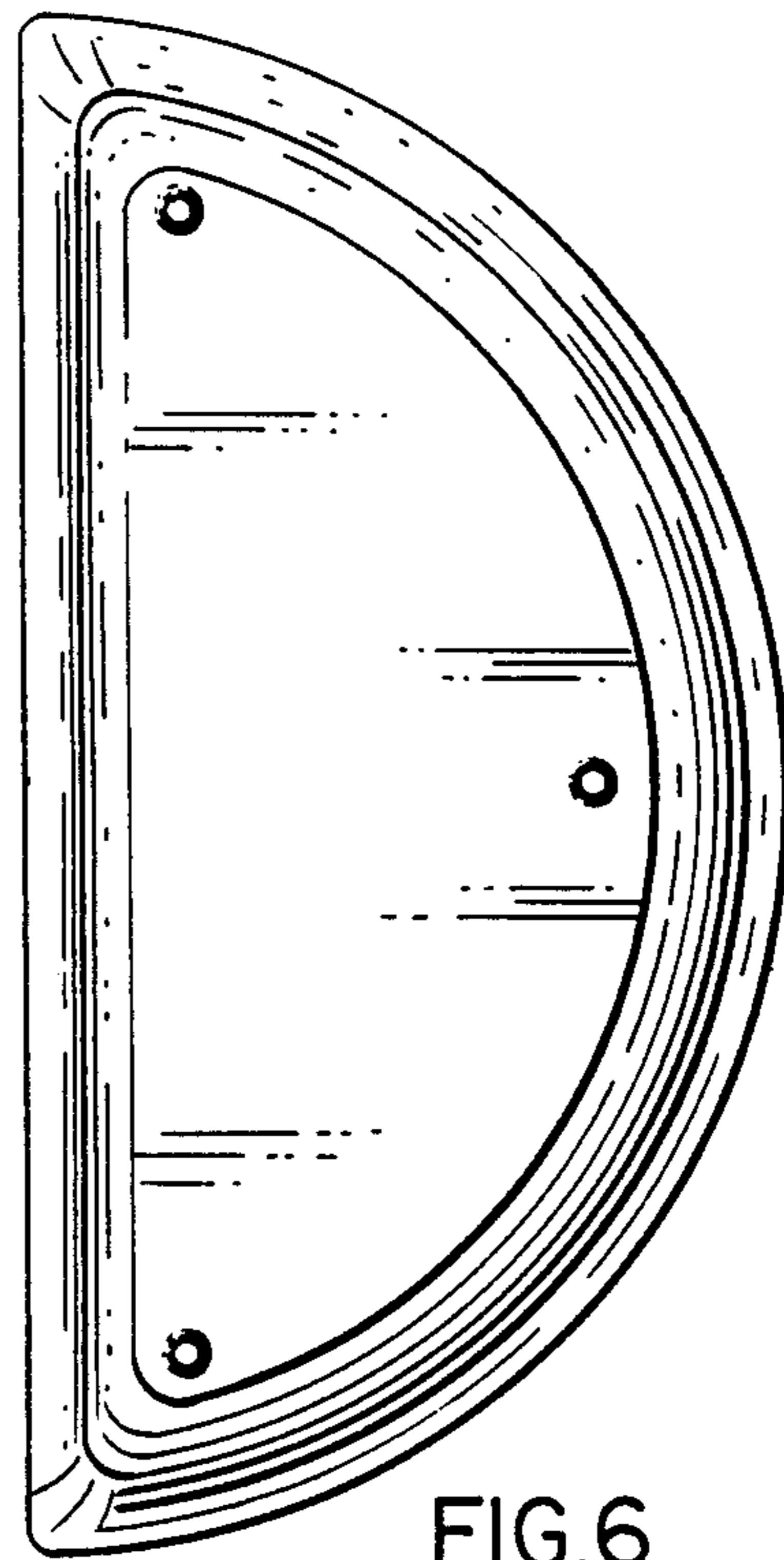


FIG. 6