

[54] COMBINED COMPUTER TERMINAL SUPPORT AND ATTACHMENTS FOR WRITTEN INSTRUCTIONS

[75] Inventor: John M. McKeown, Jr., Encinitas, Calif.

[73] Assignee: San Diego Federal Savings and Loan Association

[\*\*] Term: 3½ Years

[21] Appl. No.: 856,797

[22] Filed: Dec. 2, 1977

[51] Int. Cl. .... D6—04

[52] U.S. Cl. .... D6/184; D6/130; D6/132; D6/181

[58] Field of Search ..... D6/25, 130, 132, 136, D6/181, 184; 312/140.3; 248/441 R, 441 B, 441 A

[56] References Cited

U.S. PATENT DOCUMENTS

D. 243,524	3/1977	Intini .....	D6/184
D. 248,805	8/1978	Bridges .....	D6/130
D. 250,240	11/1978	Braginetz .....	D6/181

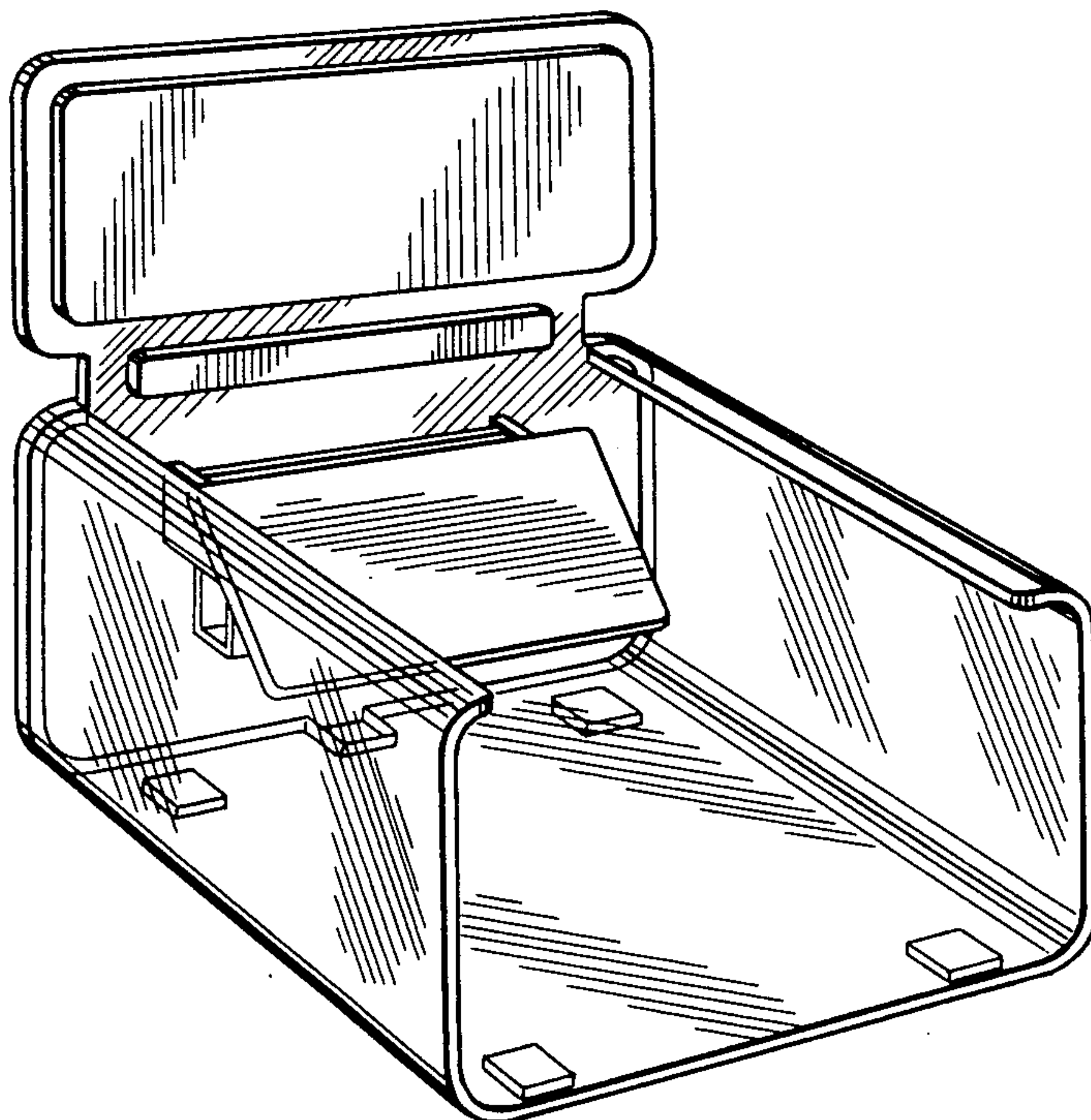
Primary Examiner—Sam Rosen  
Attorney, Agent, or Firm—Carl R. Brown

[57] CLAIM

The ornamental design for a combined computer terminal support and attachments for written instructions, substantially as shown and described.

DESCRIPTION

FIG. 1 is a perspective view of a combined computer terminal support and attachments for written instructions, showing my new design; FIG. 2 is a right side elevational view thereof; FIG. 3 is a rear elevational view thereof; and FIG. 4 is a top plan view thereof.



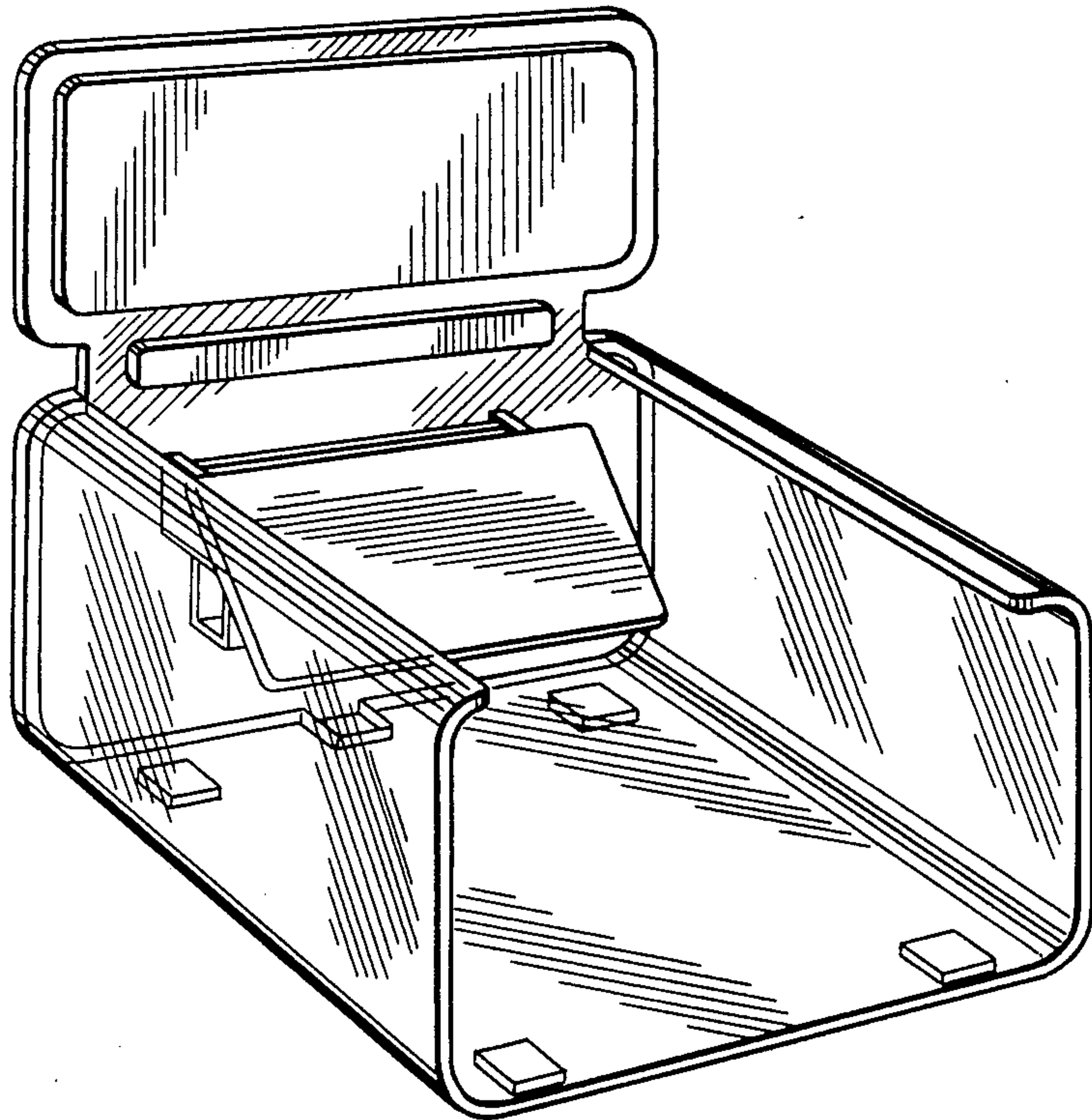


Fig. 1

Fig. 2

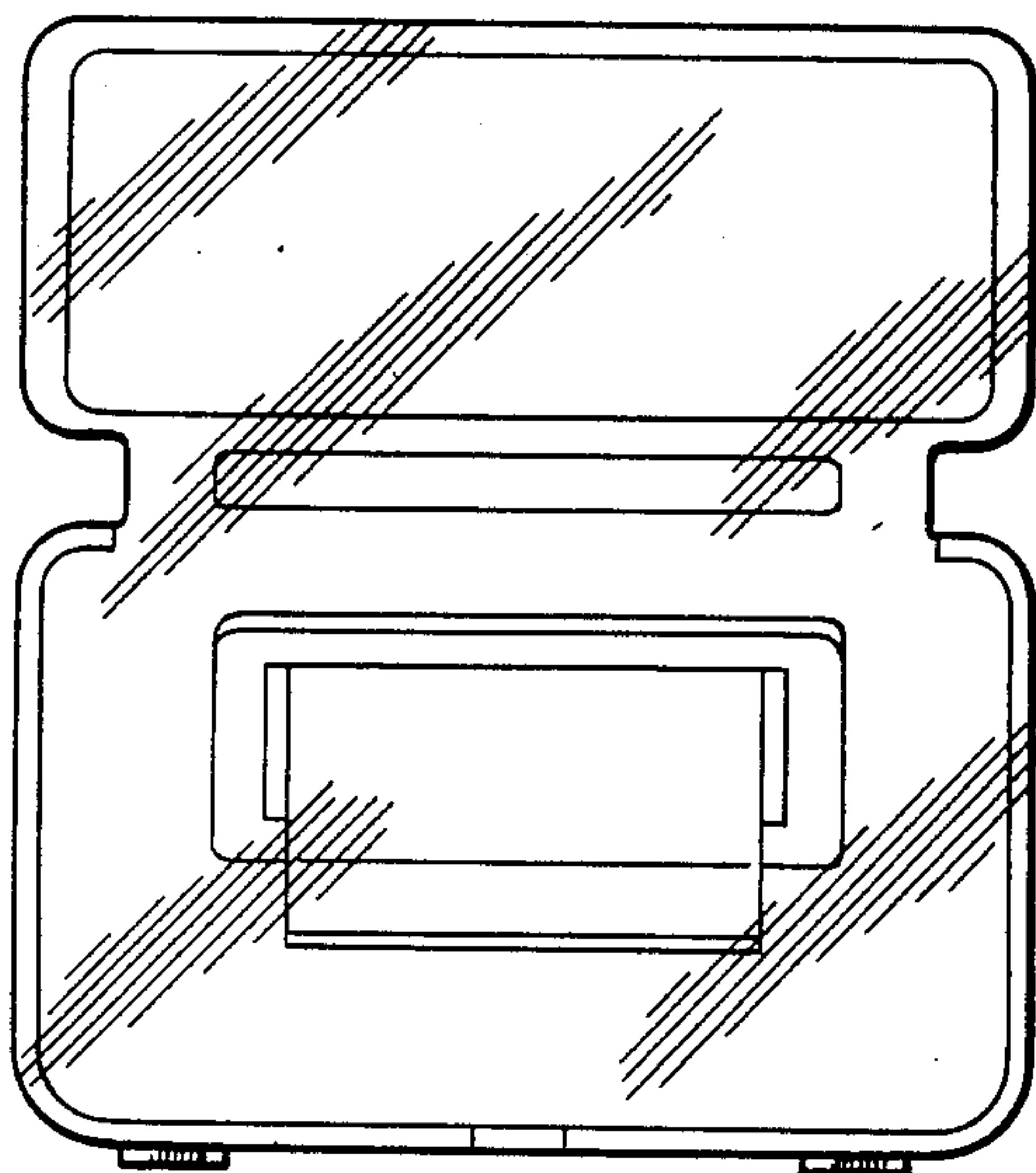
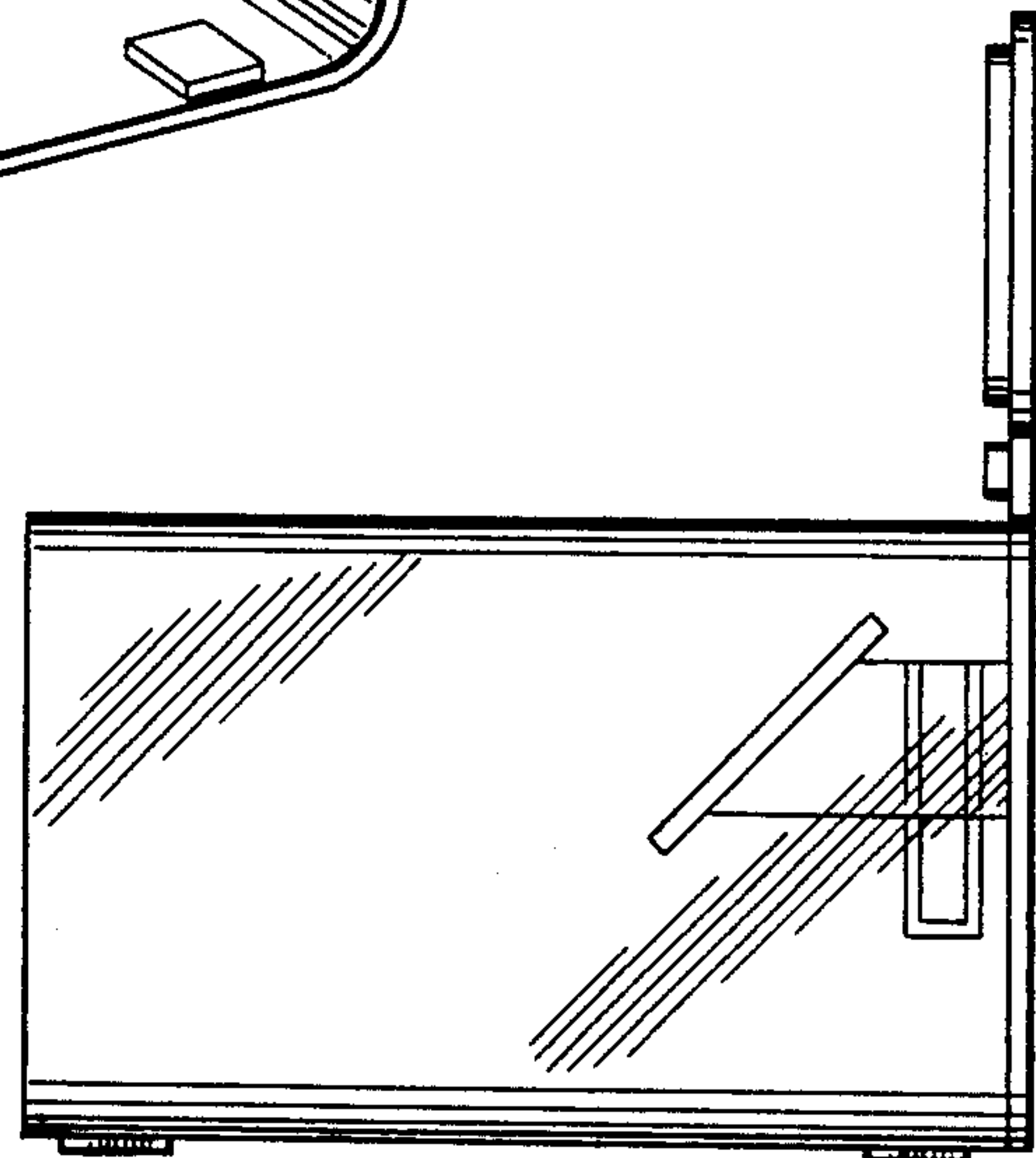


Fig. 3

Fig. 4

