

[54] **MULTIPLE POSITION COUNTER UNIT**  
 [75] Inventors: **James S. Berman**, New York; **Sigurd Stegmaier**, Malverne, both of N.Y.  
 [73] Assignee: **Citibank, N.A.**, New York, N.Y.  
 [\*\*] Term: **14 Years**  
 [21] Appl. No.: **875,952**  
 [22] Filed: **Feb. 7, 1978**  
 [51] Int. Cl. .... **D6-04**  
 [52] U.S. Cl. .... **D6/157; D6/143; D6/159; D6/161**  
 [58] Field of Search ..... **D6/150-174, D6/143, 144, 4, 114, 127, 128, 129, 130**

D. 240,578 7/1976 Gottsegen ..... D6/144  
 D. 248,912 8/1978 Canfield et al. .... D6/4

*Primary Examiner*—Bruce W. Dunkins  
*Attorney, Agent, or Firm*—George B. Finnegan, Jr.

[57] **CLAIM**

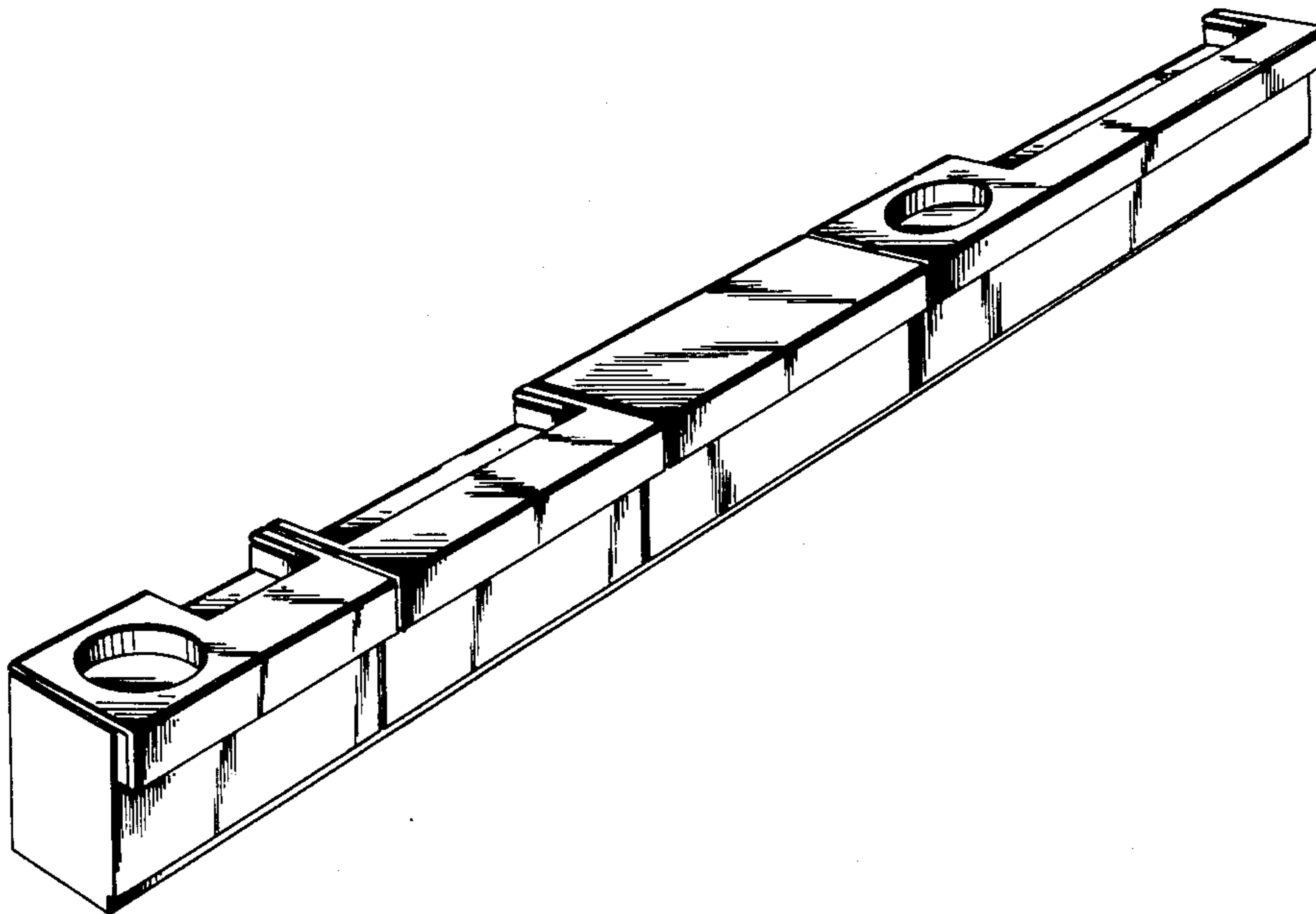
The ornamental design for a multiple position counter unit, as shown and described.

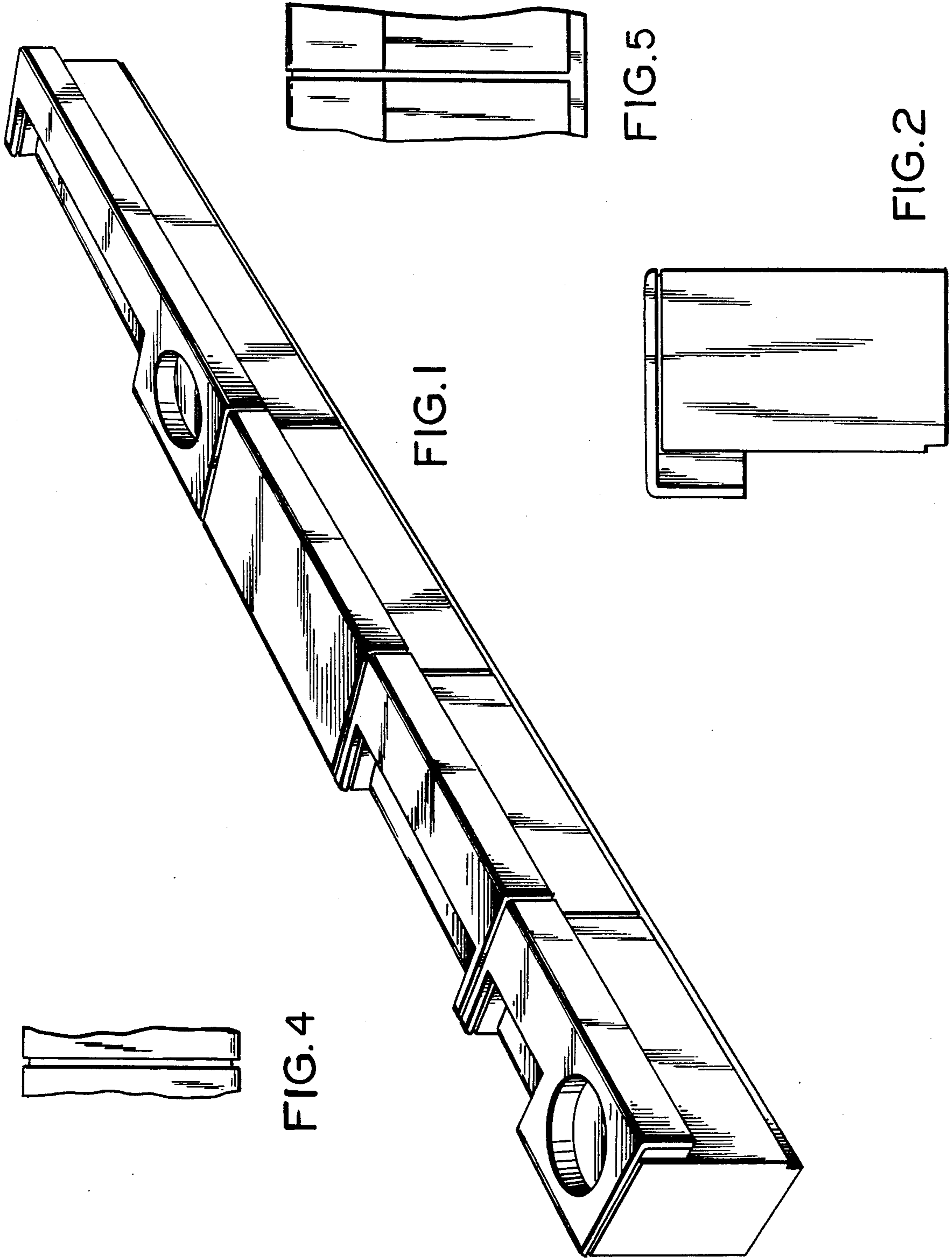
**DESCRIPTION**

FIG. 1 is a front perspective view of a multiple position counter unit showing our design;  
 FIG. 2 is a right side elevational view thereof;  
 FIG. 3 is a rear elevational view;  
 FIG. 4 is a fragmentary top plan view illustrating a typical junction between abutting modules in greater detail; and  
 FIG. 5 is a fragmentary front elevational view illustrating a typical junction between abutting modules likewise in greater detail.

The side of the multiple position counter unit not shown is a mirror image of the side shown in FIG. 2.

[56] **References Cited**  
**U.S. PATENT DOCUMENTS**  
 D. 167,424 8/1952 Rubaloff ..... D6/143  
 D. 183,447 9/1958 Crawford ..... D6/143  
 D. 192,490 3/1962 Garth ..... D6/144





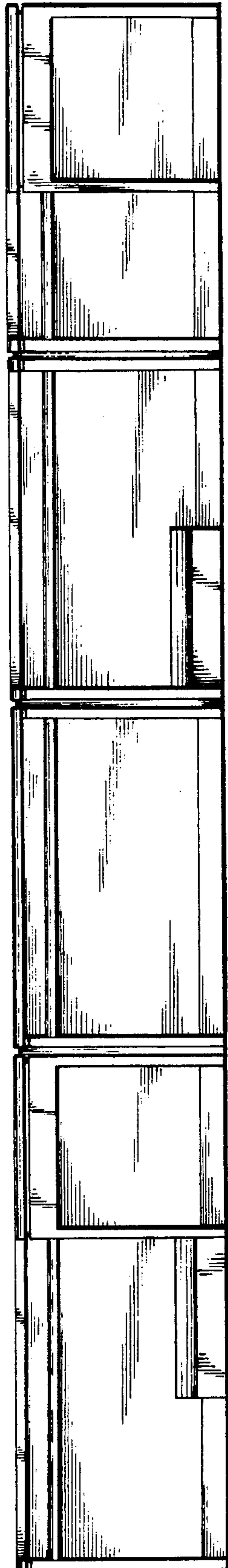


FIG. 3