

[54] FLOWER POT STAND

[75] Inventor: Meng-Hsiung Lin, Taipei, Taiwan

[73] Assignee: First Novelty Co., Ltd., Taipei, Taiwan

[**] Term: 14 Years

[21] Appl. No.: 899,932

[22] Filed: Apr. 25, 1978

[51] Int. Cl. D6—06; D11—02; D21—01

[52] U.S. Cl. D6/153; D6/182; D11/149; D21/128

[58] Field of Search D11/149; D6/151, 153, D6/182, 183; D21/114—116, 118, 119, 128, 137; 47/39, 72

[56]

References Cited

U.S. PATENT DOCUMENTS

D. 156,946	1/1950	Farrell	D11/149
D. 223,769	6/1972	Ruokonen	D21/128
D. 251,403	3/1979	Bosler	D6/153

Primary Examiner—Wallace R. Burke

Assistant Examiner—B. J. Bullock

Attorney, Agent, or Firm—Leonard J. Robbins

[57]

CLAIM

The ornamental design for a flower pot stand, as shown.

DESCRIPTION

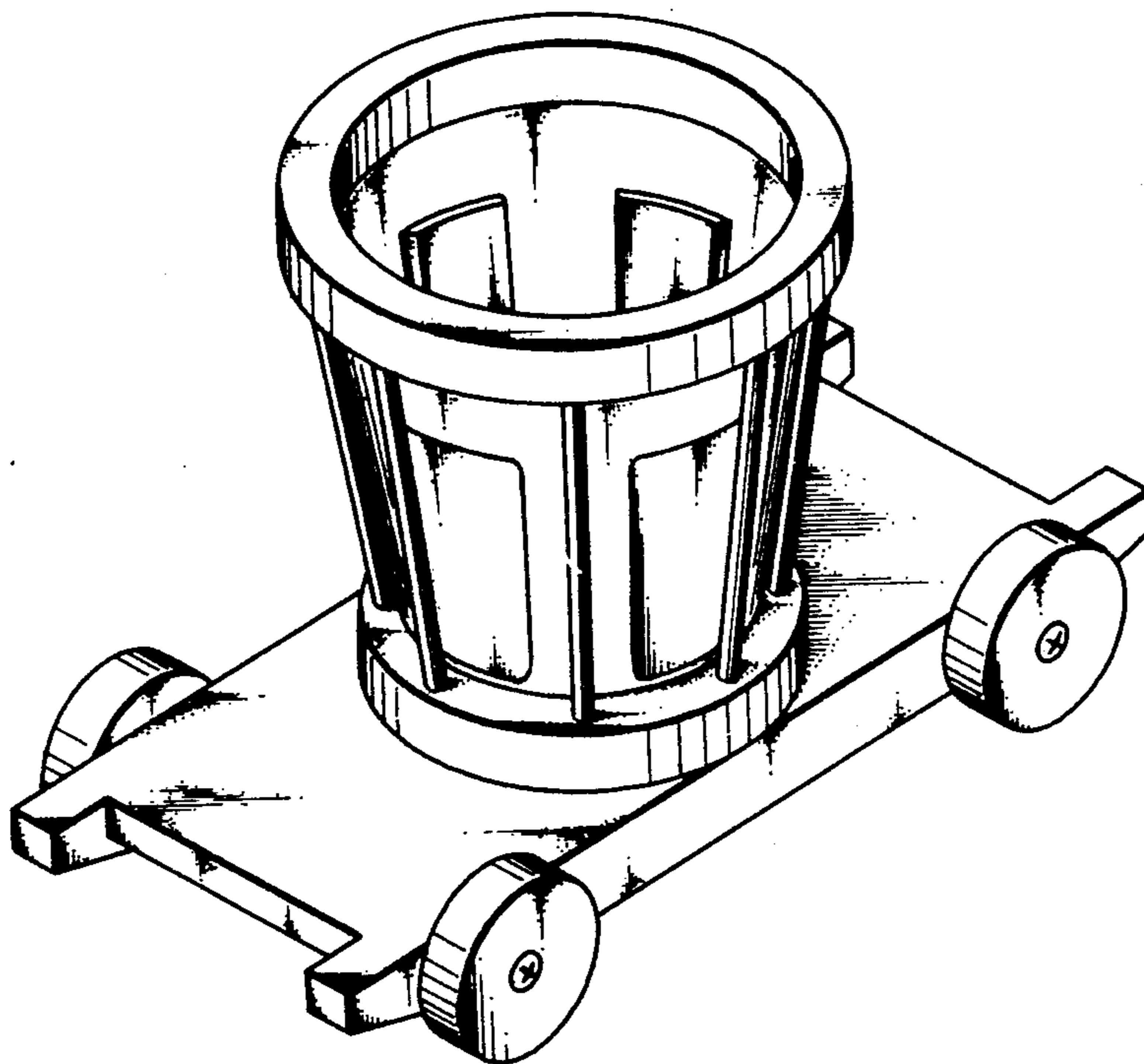
FIG. 1 is a perspective view of a flower pot stand showing my new design;

FIG. 2 is a top view thereof;

FIG. 3 is a left side view thereof, the right side view being a mirror image of FIG. 3;

FIG. 4 is a bottom view thereof;

FIG. 5 is a front view thereof, the rear view being a mirror image of FIG. 5.



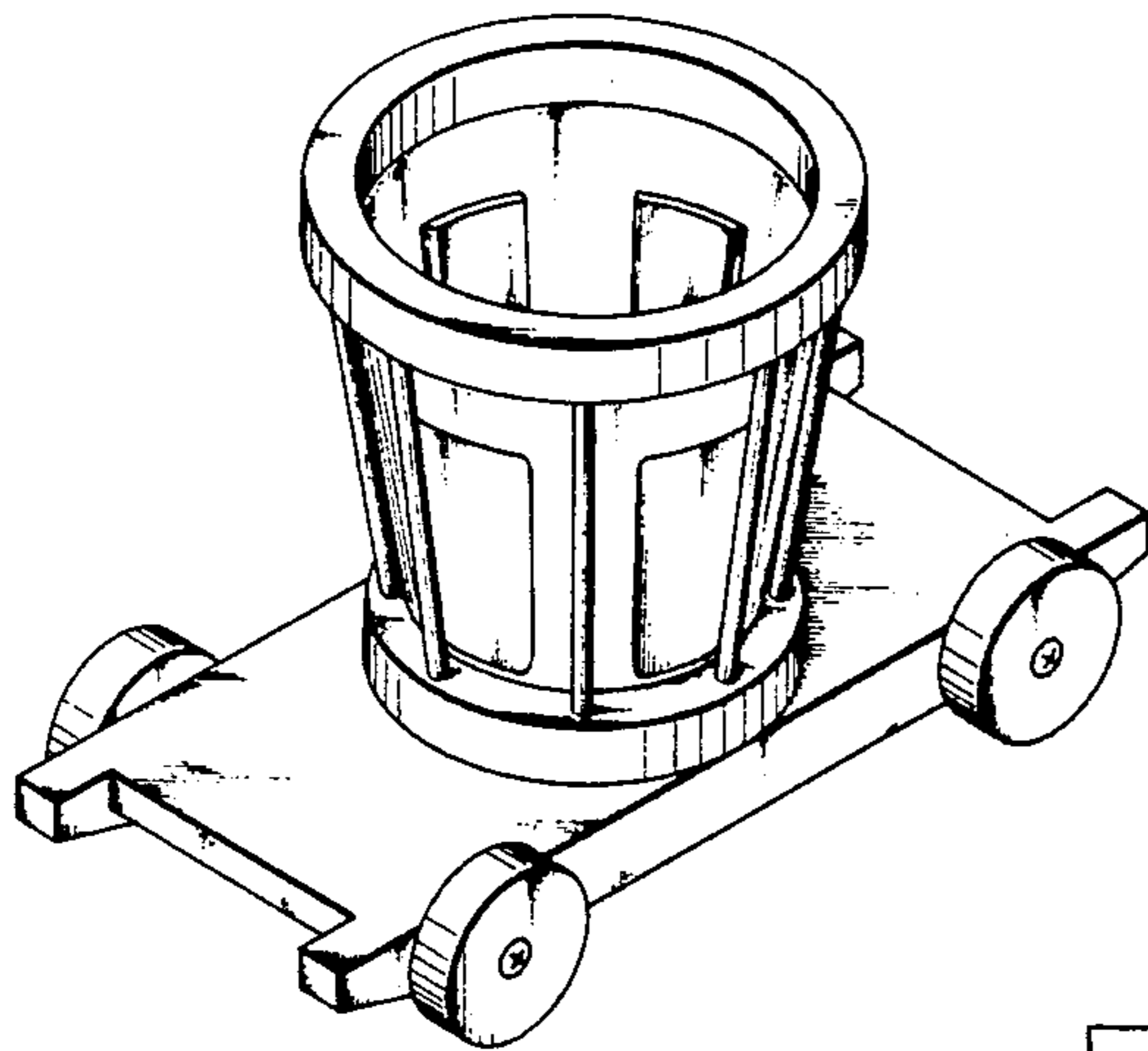


Fig. 1

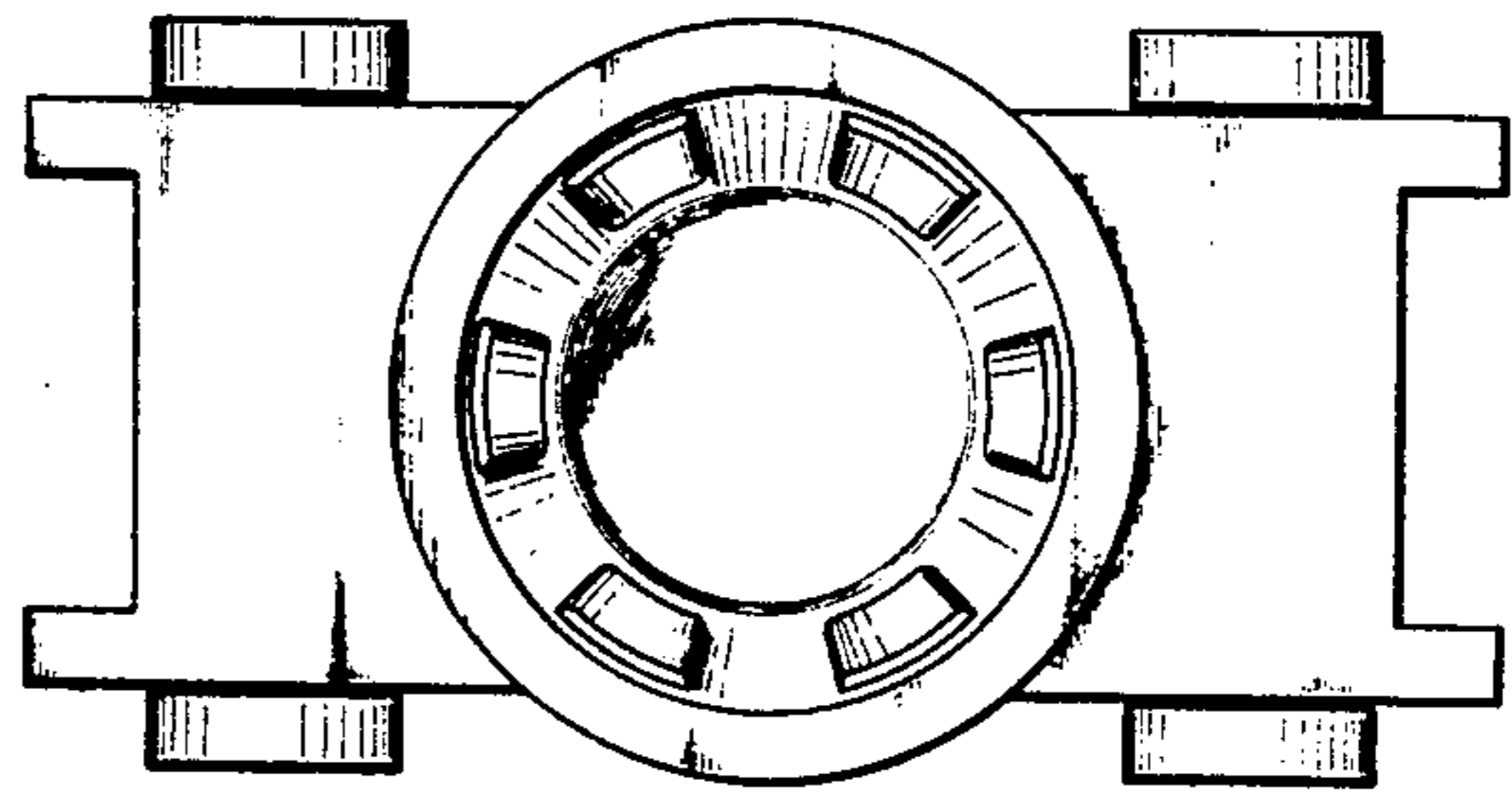


Fig. 2

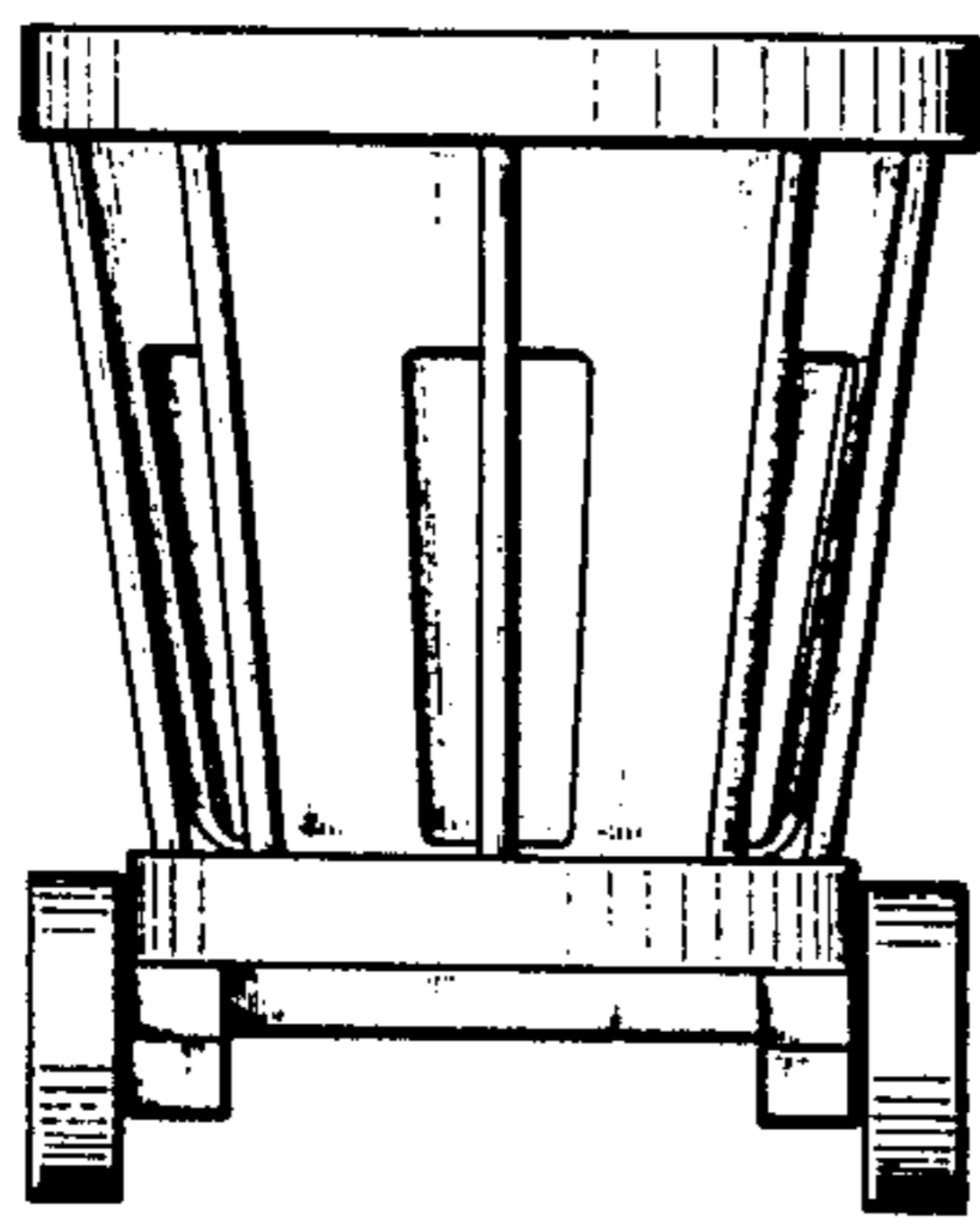


Fig. 5

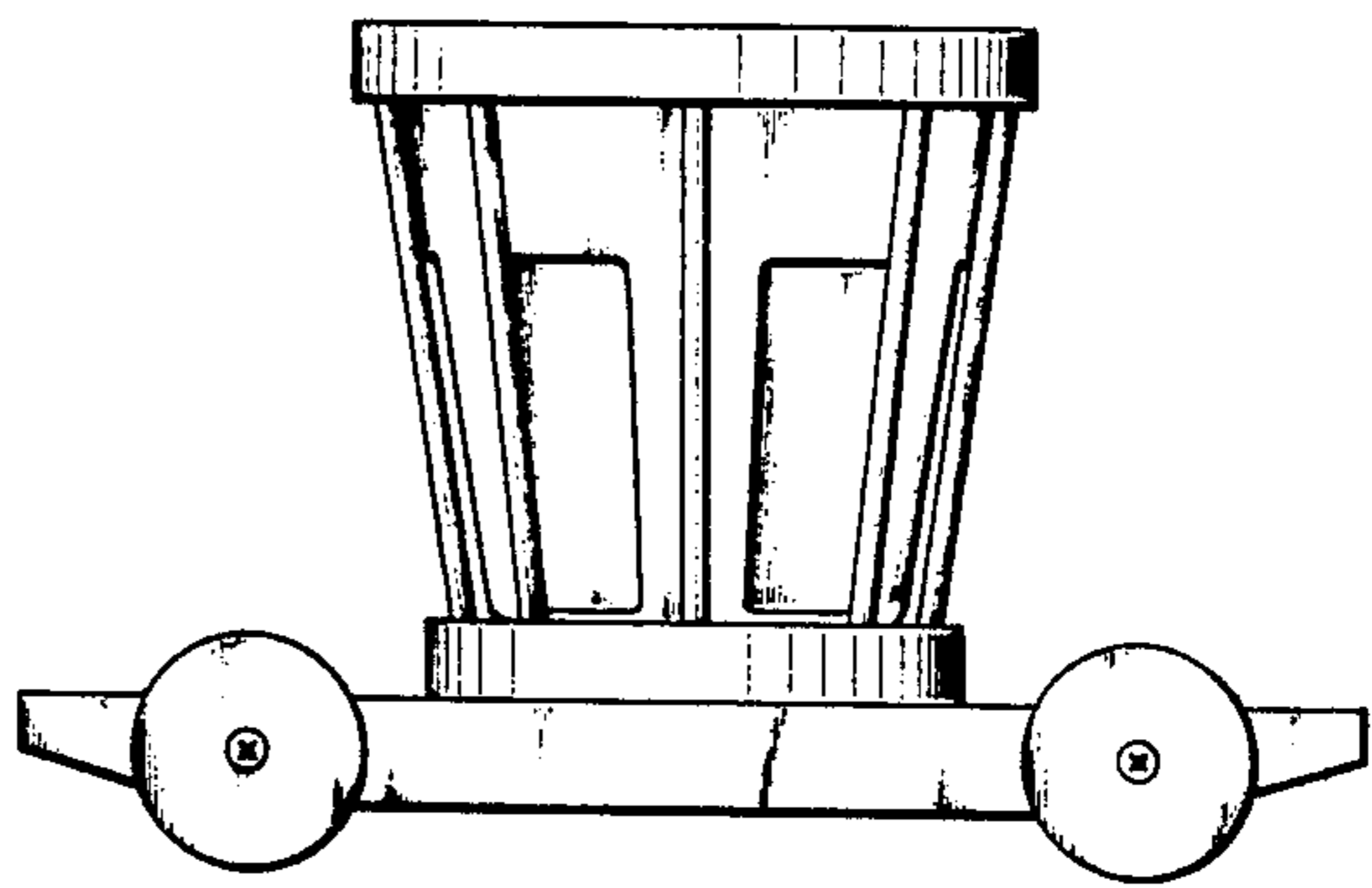


Fig. 3

Fig. 4

