

[54] TOOL HOLDER

[76] Inventor: Halm C. King, Jr., P.O. Box 149, Del Rio, Tex. 78840

[**] Term: 14 Years

[21] Appl. No.: 943,924

[22] Filed: Sep. 20, 1978

[51] Int. Cl. D6-04

[52] U.S. Cl. D6/125; D6/130; D6/131; D6/157

[58] Field of Search D8/71; 224/223, 252, 224/269, 904, 918; D2/400; D6/125, 130, 157, 131; D12/155

[56] References Cited

U.S. PATENT DOCUMENTS

D. 227,727	7/1973	Beder	D6/130
2,536,725	1/1951	Cleveland	224/252
2,547,620	4/1951	Capano	224/252
2,758,798	8/1956	Schmidt	224/904

Primary Examiner—Sam Rosen

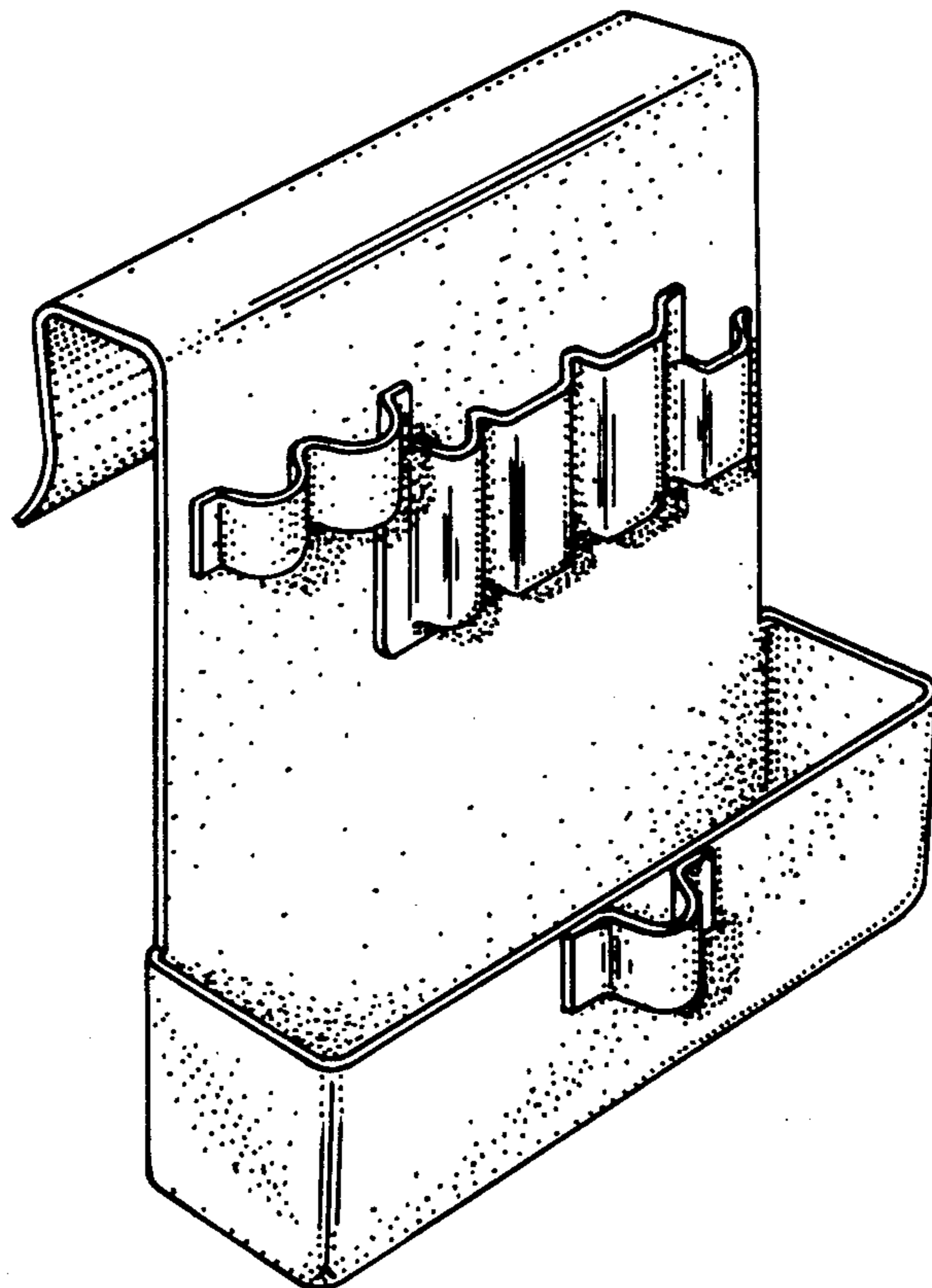
Attorney, Agent, or Firm—Donald R. Comuzzi

[57] CLAIM

The ornamental design for a tool holder, as shown and described.

DESCRIPTION

FIG. 1 is a top view of the tool holder showing my new design;
 FIG. 2 is an end view taken from the left of FIG. 1;
 FIG. 3 is a front view thereof;
 FIG. 4 is an end view taken from the right of FIG. 1;
 FIG. 5 is a rear view thereof;
 FIG. 6 is a bottom view thereof;
 FIG. 7 is an enlarged perspective view thereof;
 FIG. 8 is a top view of a second embodiment of the tool holder;
 FIG. 9 is an end view taken from the left of FIG. 8;
 FIG. 10 is a front view of the second embodiment;
 FIG. 11 is an end view taken from the right of FIG. 8;
 FIG. 12 is a rear view of the second embodiment;
 FIG. 13 is a bottom view of the second embodiment;
 and
 FIG. 14 is an enlarged perspective view of the second embodiment.



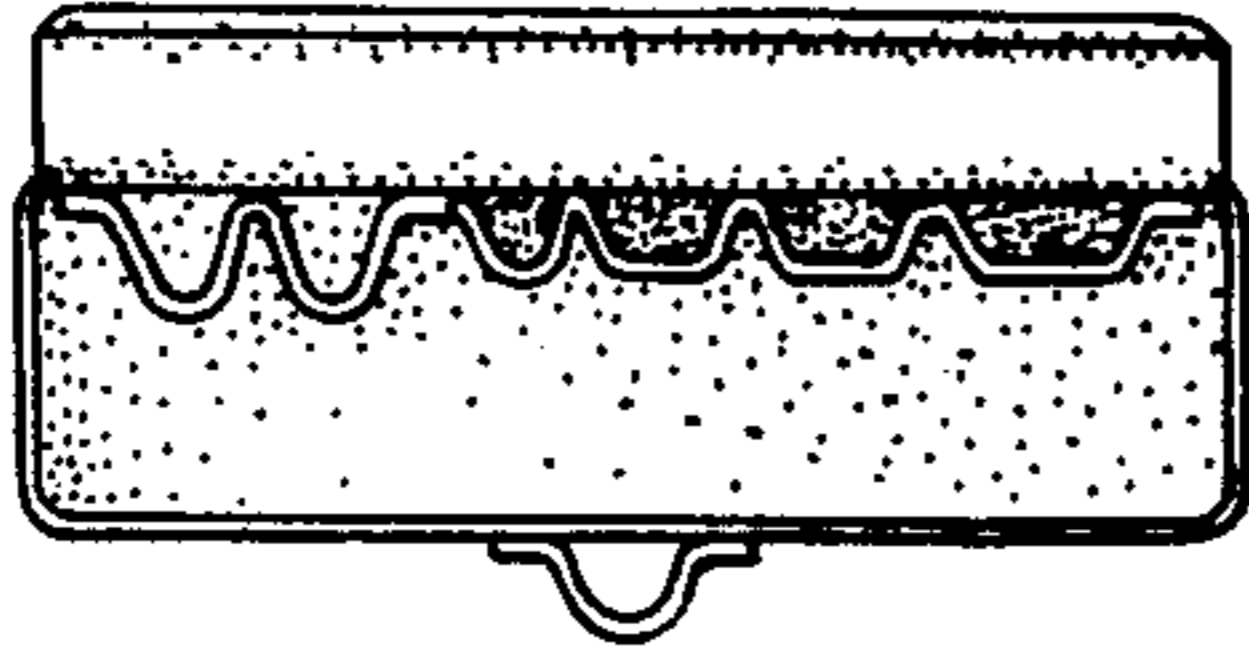


FIG. 1

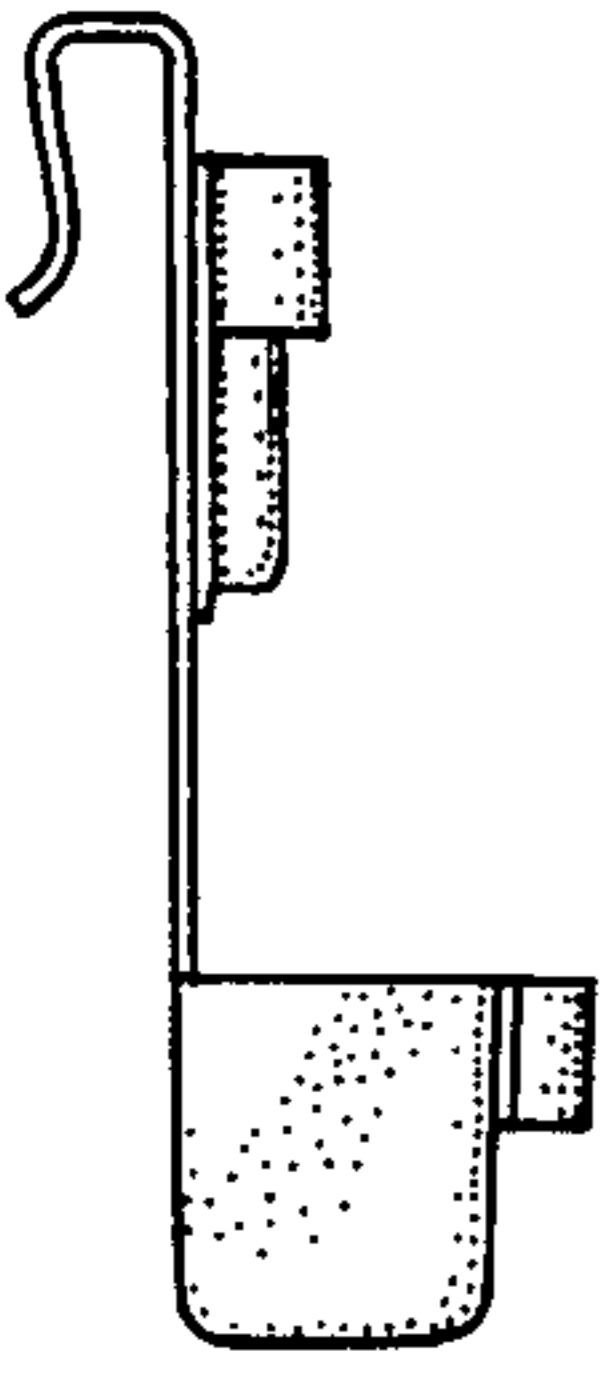


FIG. 2

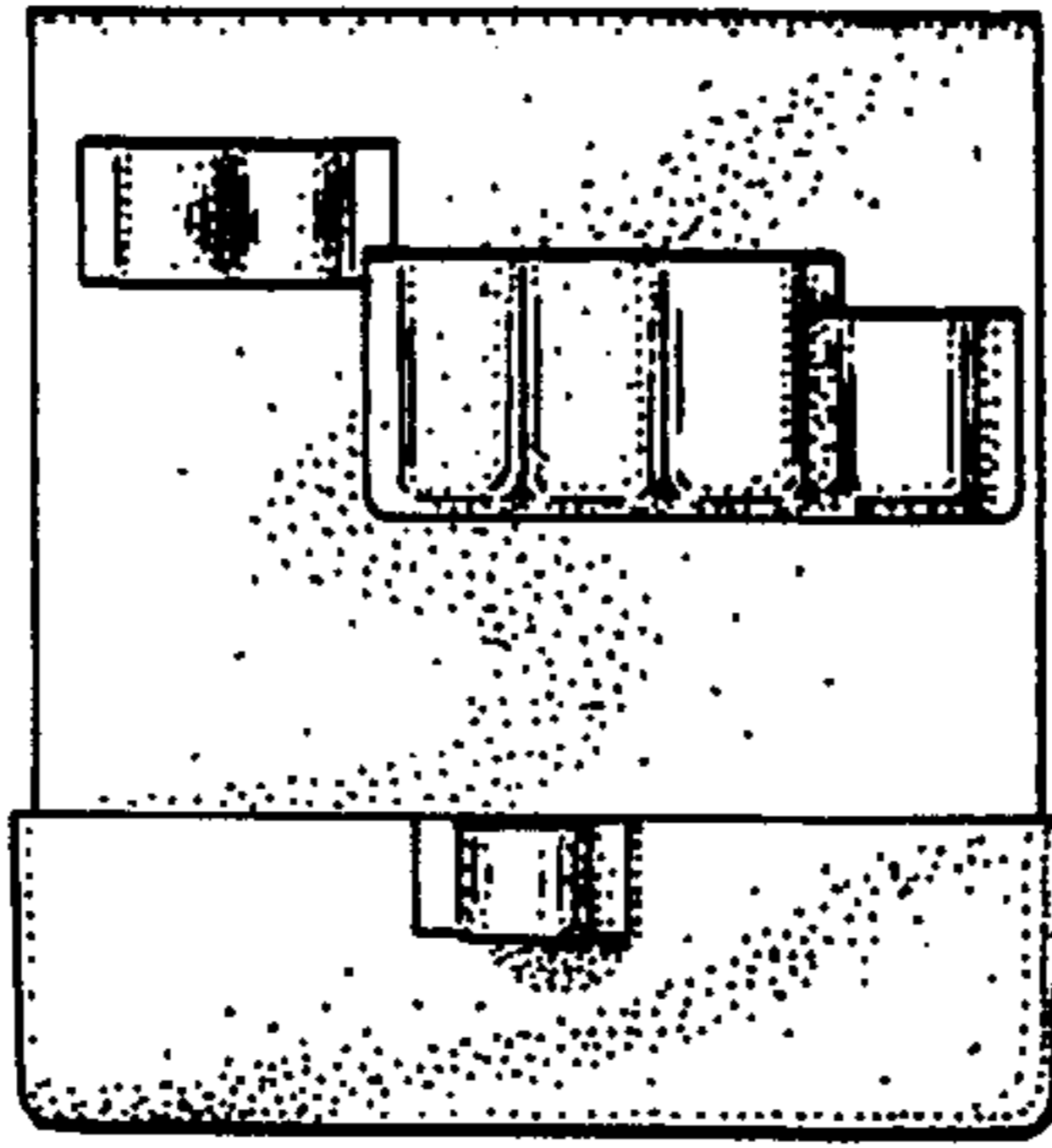


FIG. 3

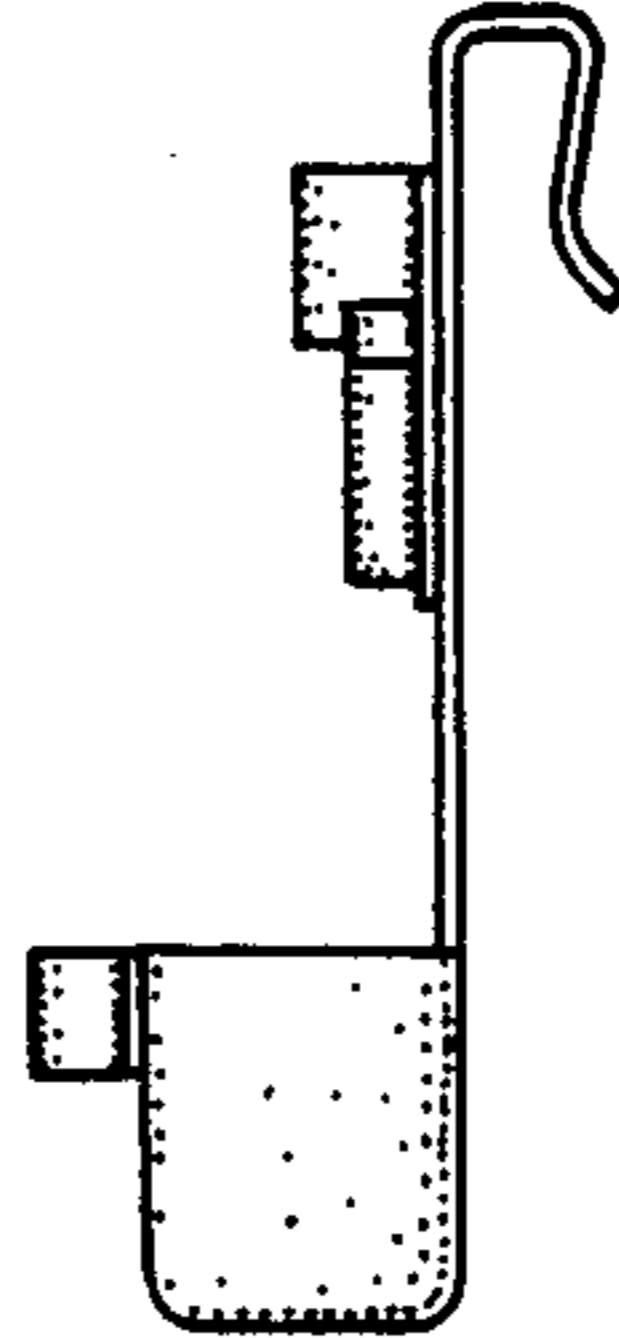


FIG. 4

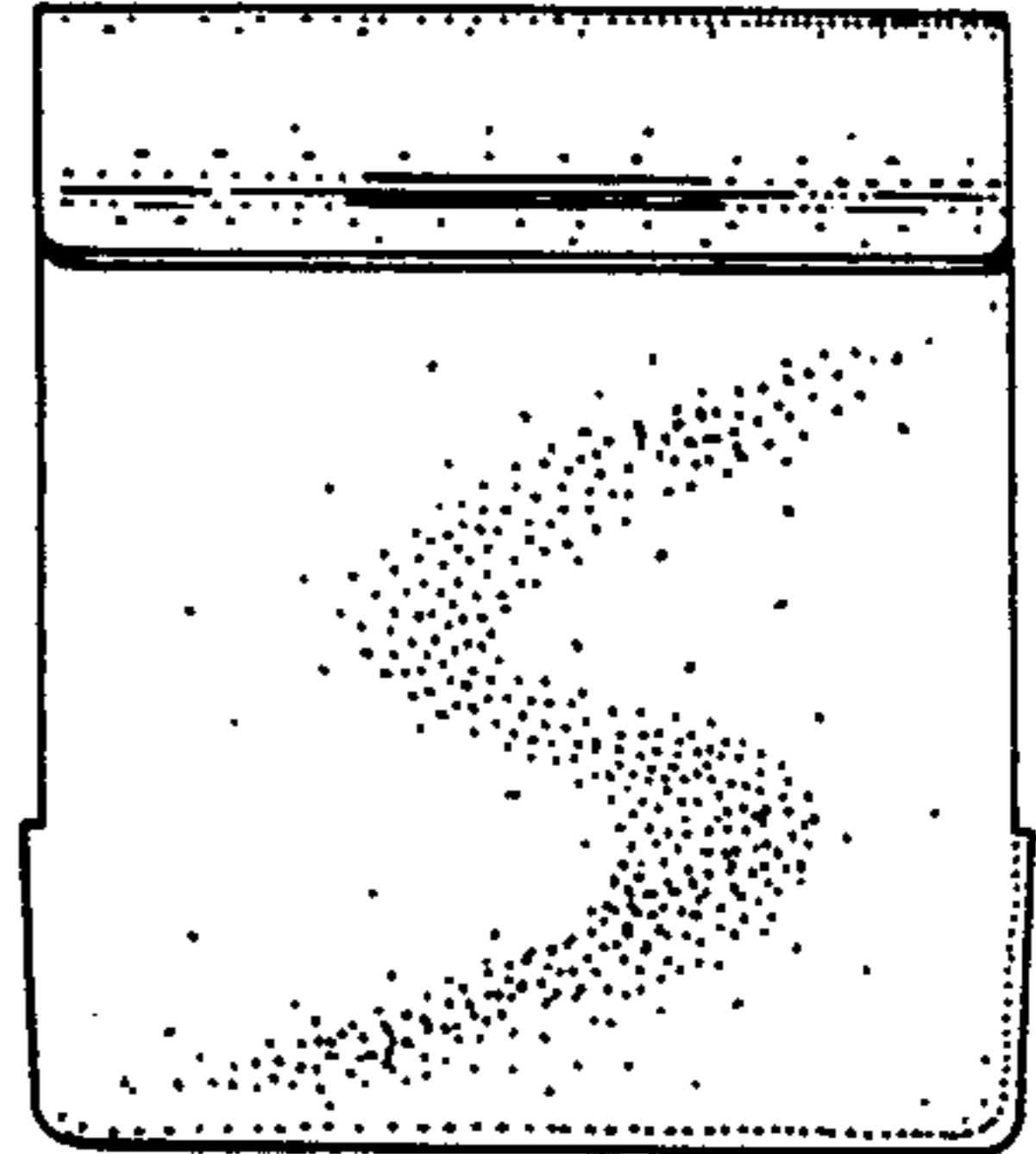


FIG. 5

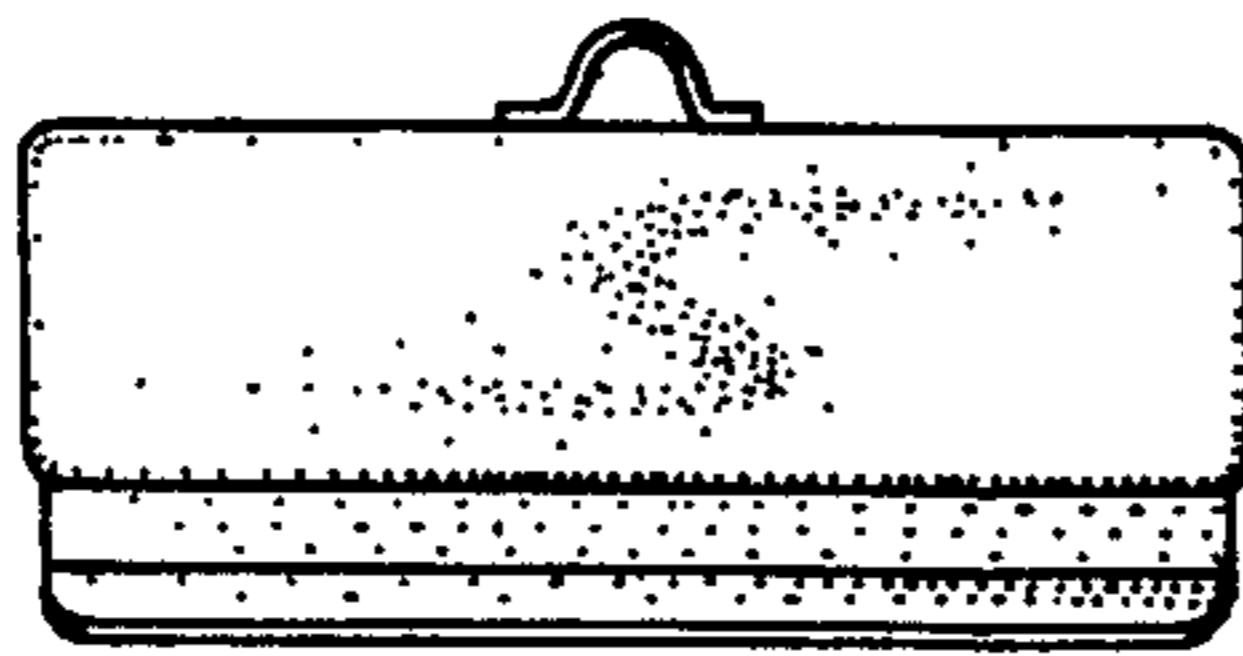


FIG. 6

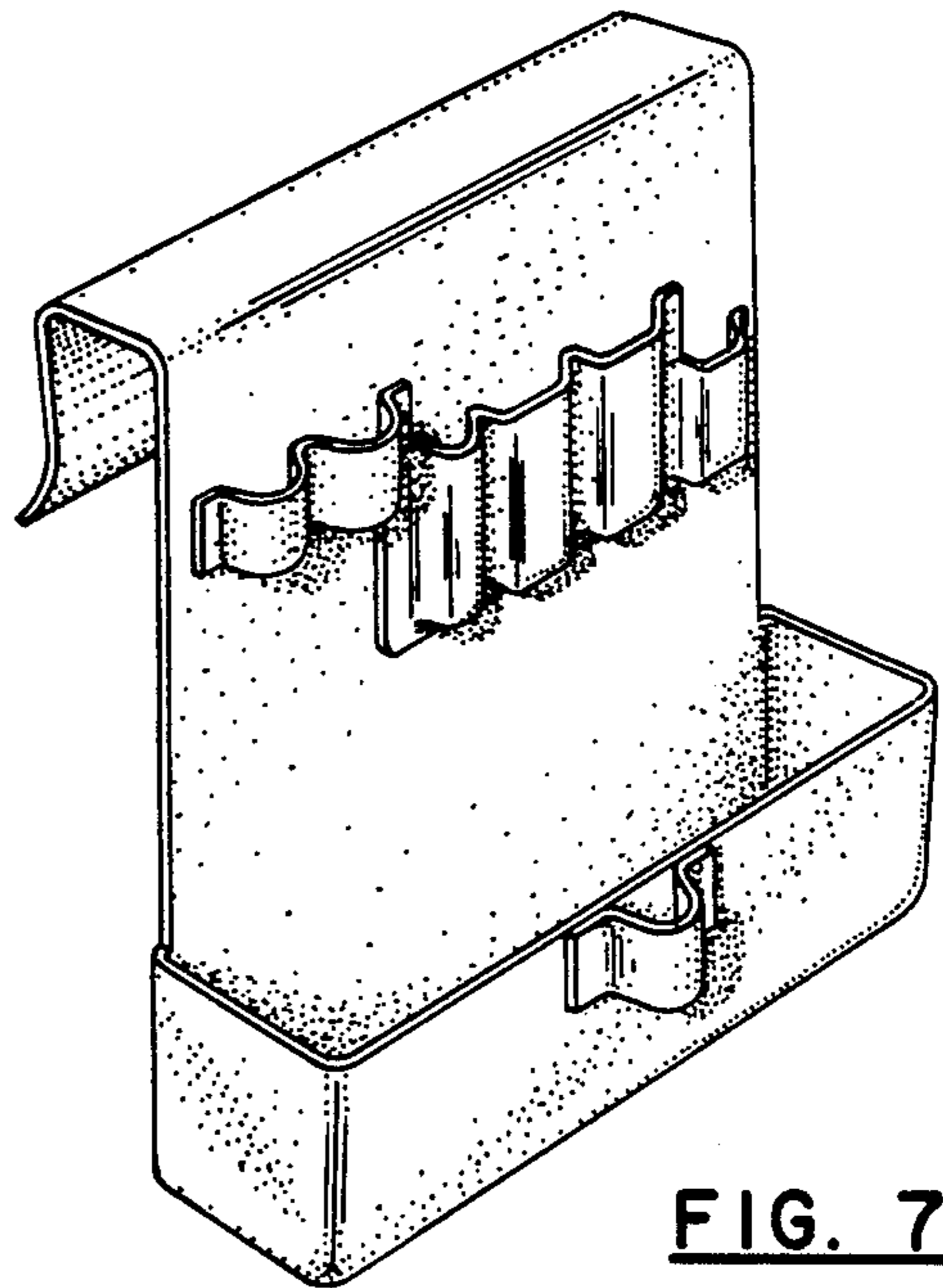


FIG. 7

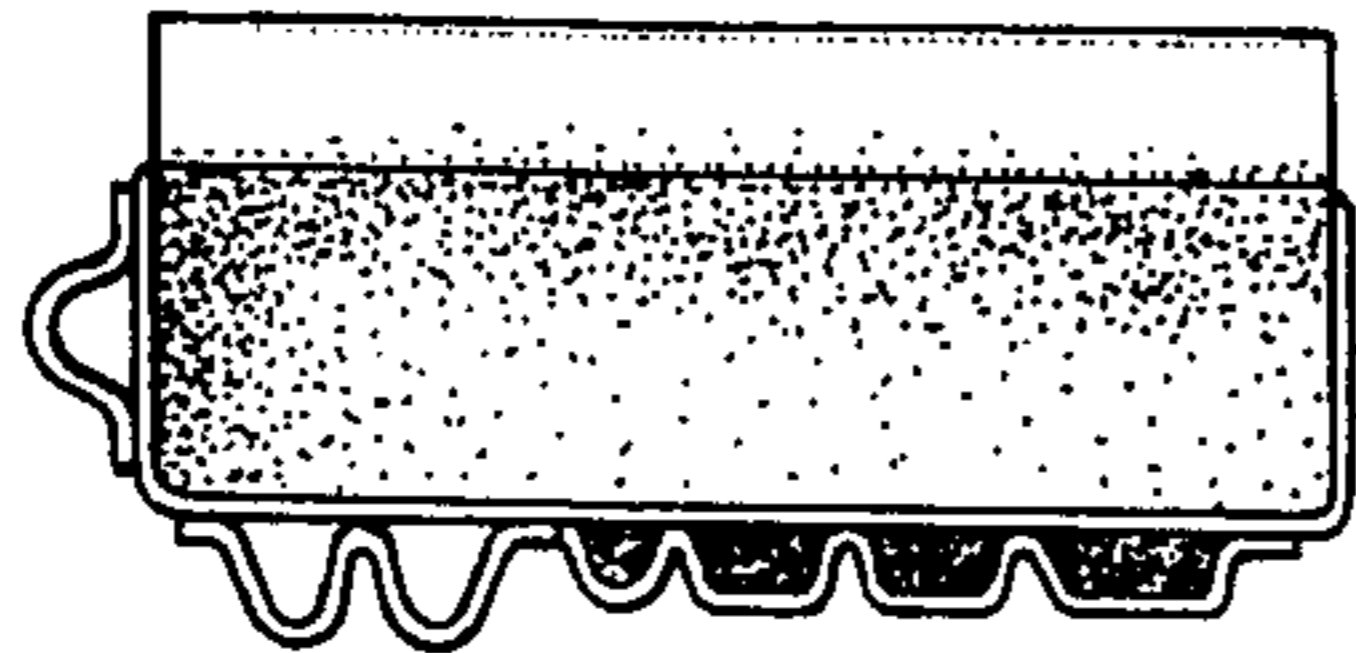


FIG. 8

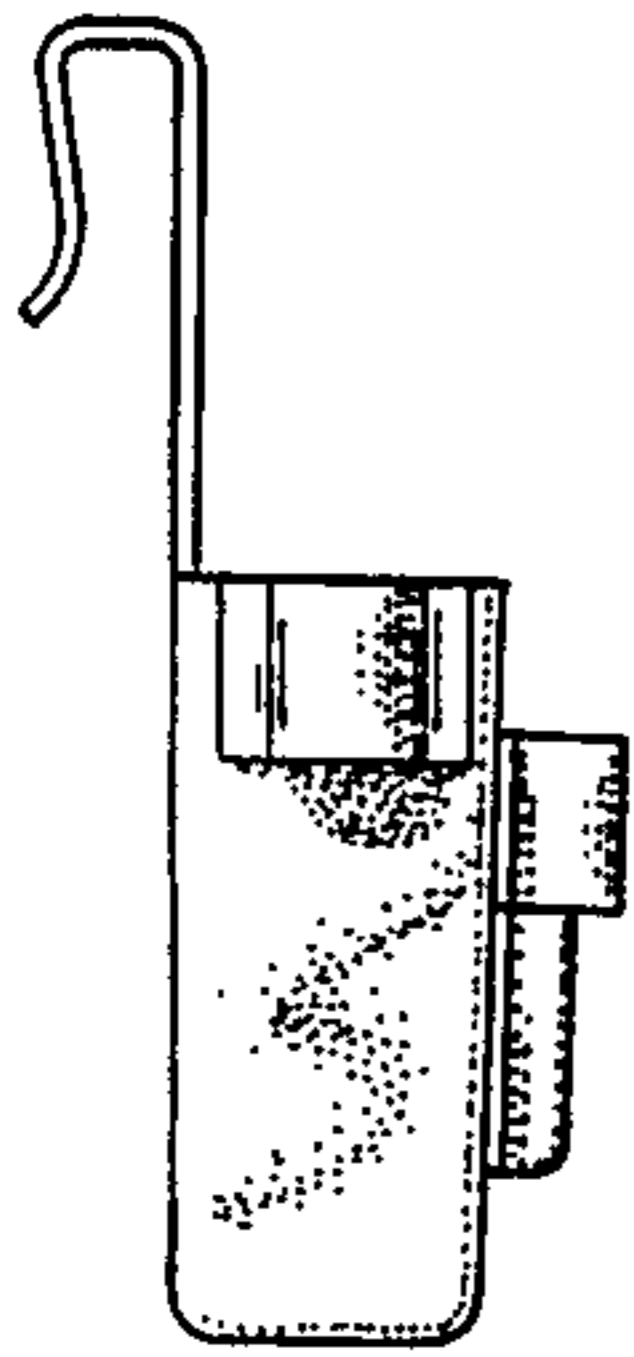


FIG. 9

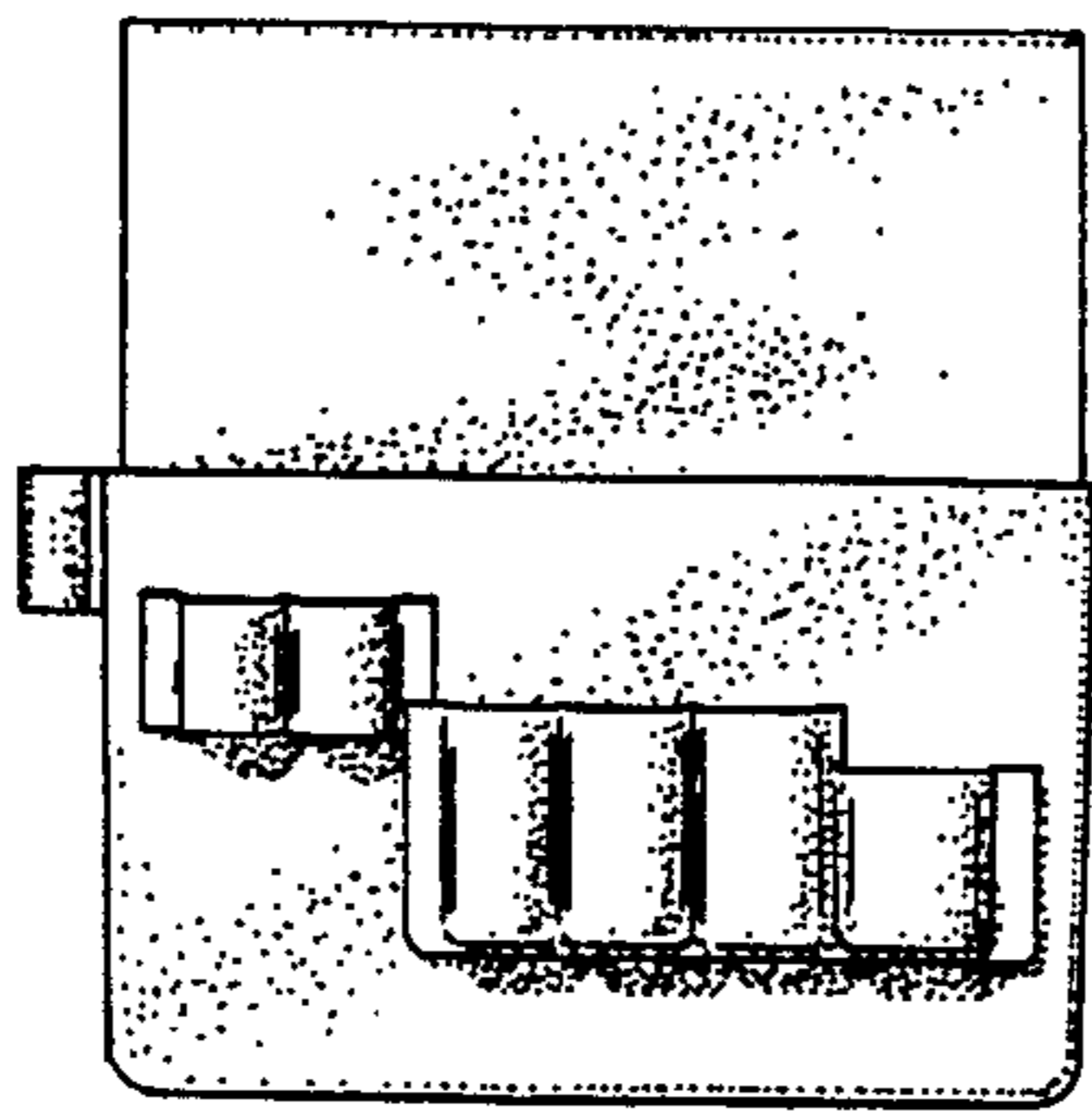


FIG. 10

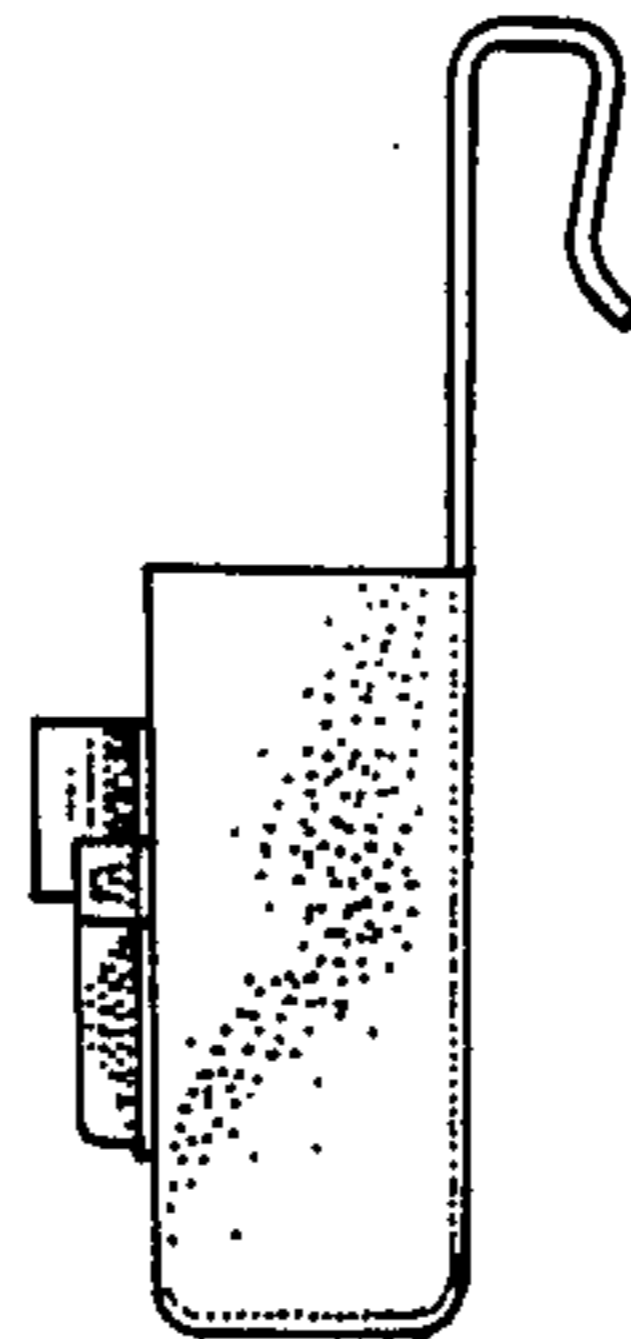


FIG. 11



FIG. 12

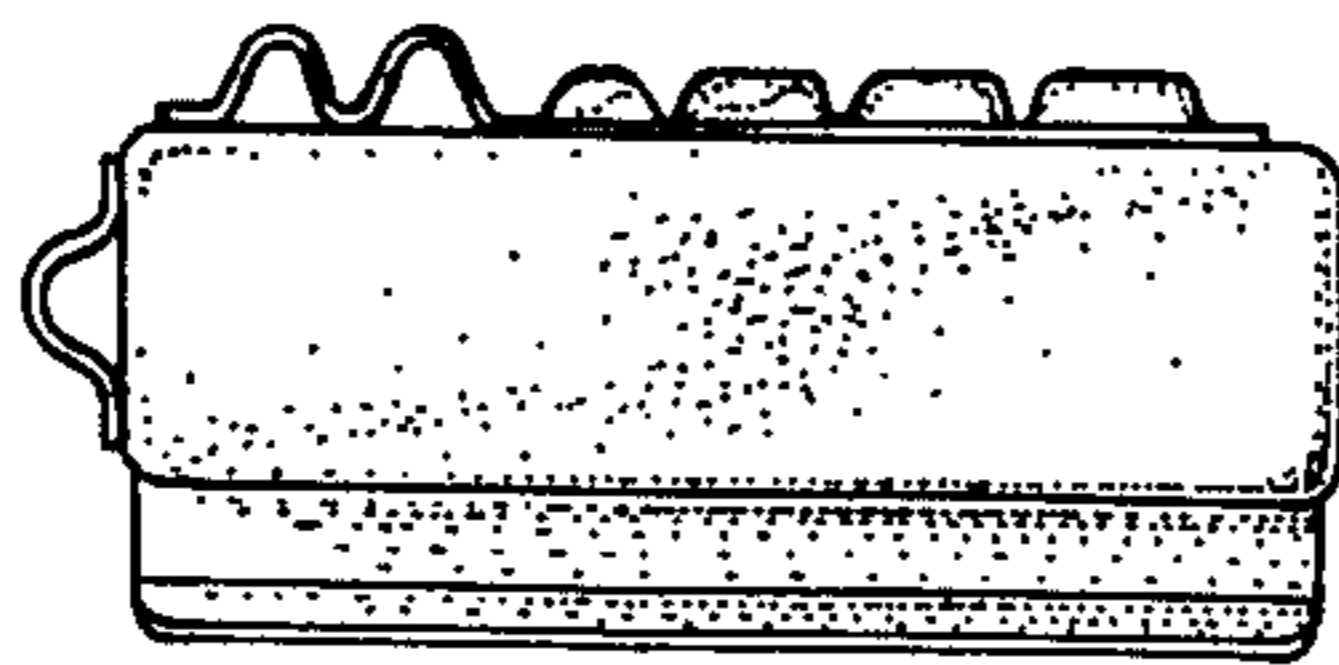


FIG. 13

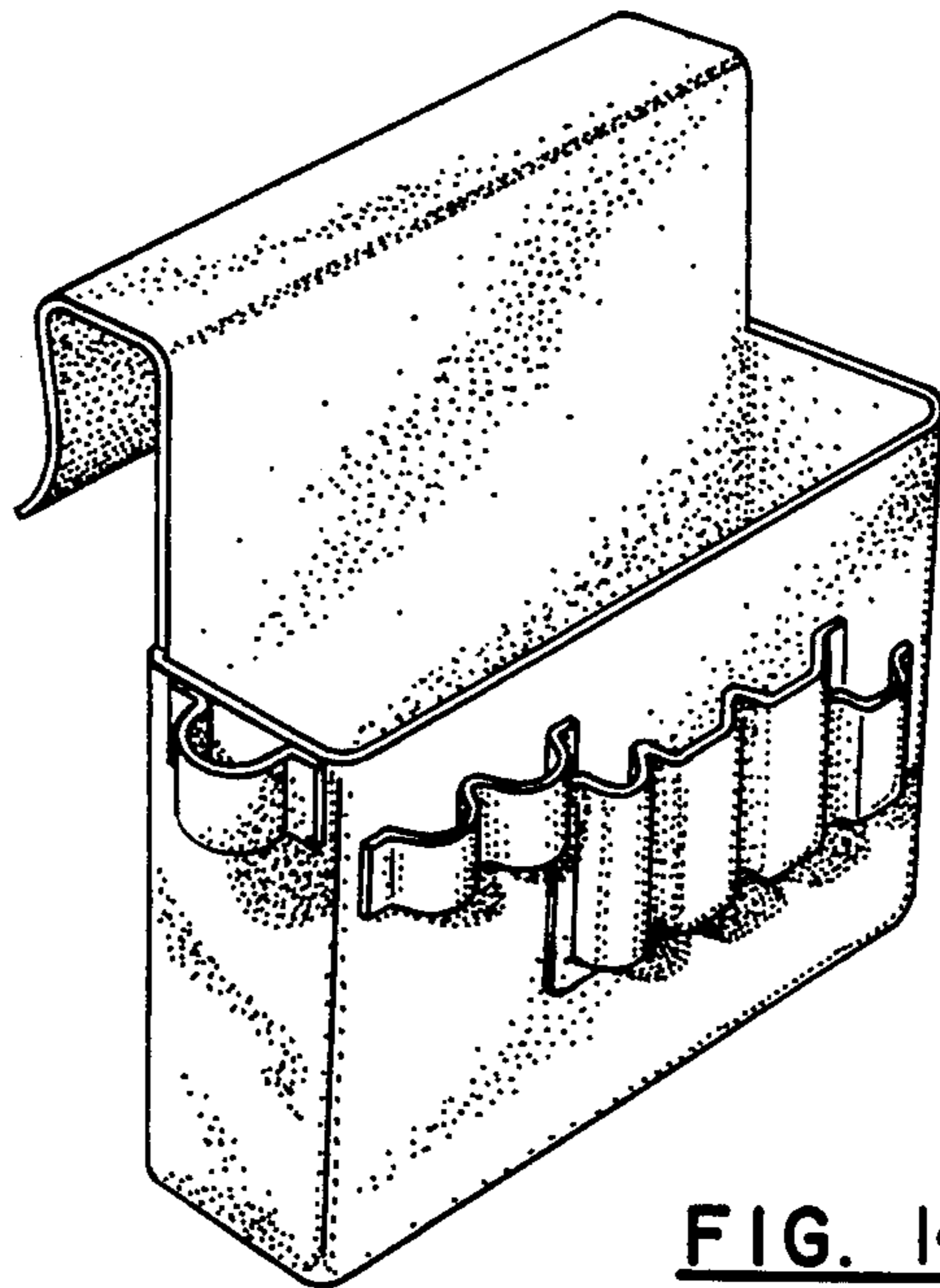


FIG. 14