

[54] CHAIR

[75] Inventor: Paul Guetat, Lyons, France

[73] Assignee: Societe Majolane du Meuble S.A., Meyzieu, France

[**] Term: 14 Years

[21] Appl. No.: 899,030

[22] Filed: Apr. 21, 1978

[30] Foreign Application Priority Data

Jan. 11, 1978 [FR] France 78 283

[51] Int. Cl. D6-01

[52] U.S. Cl. D6/69; D6/73; D6/78

[58] Field of Search D6/67-78

[56] References Cited

U.S. PATENT DOCUMENTS

D. 183,618 9/1958 Koford-Larsen D6/73
D. 237,332 10/1975 Layton D6/69

OTHER PUBLICATIONS

Interiors, 5-1967, p. 22, Chair top right.
Interiors, 8-1973, p. 109, Chair by J. G. Furn. Co.

Primary Examiner—Bruce W. Dunkins
Attorney, Agent, or Firm—David Toren

[57] CLAIM

The ornamental design for a chair, as shown.

DESCRIPTION

FIG. 1 is a front perspective view of a chair showing my design.

FIG. 2 is a planar view from below of the chair shown in FIG. 1.

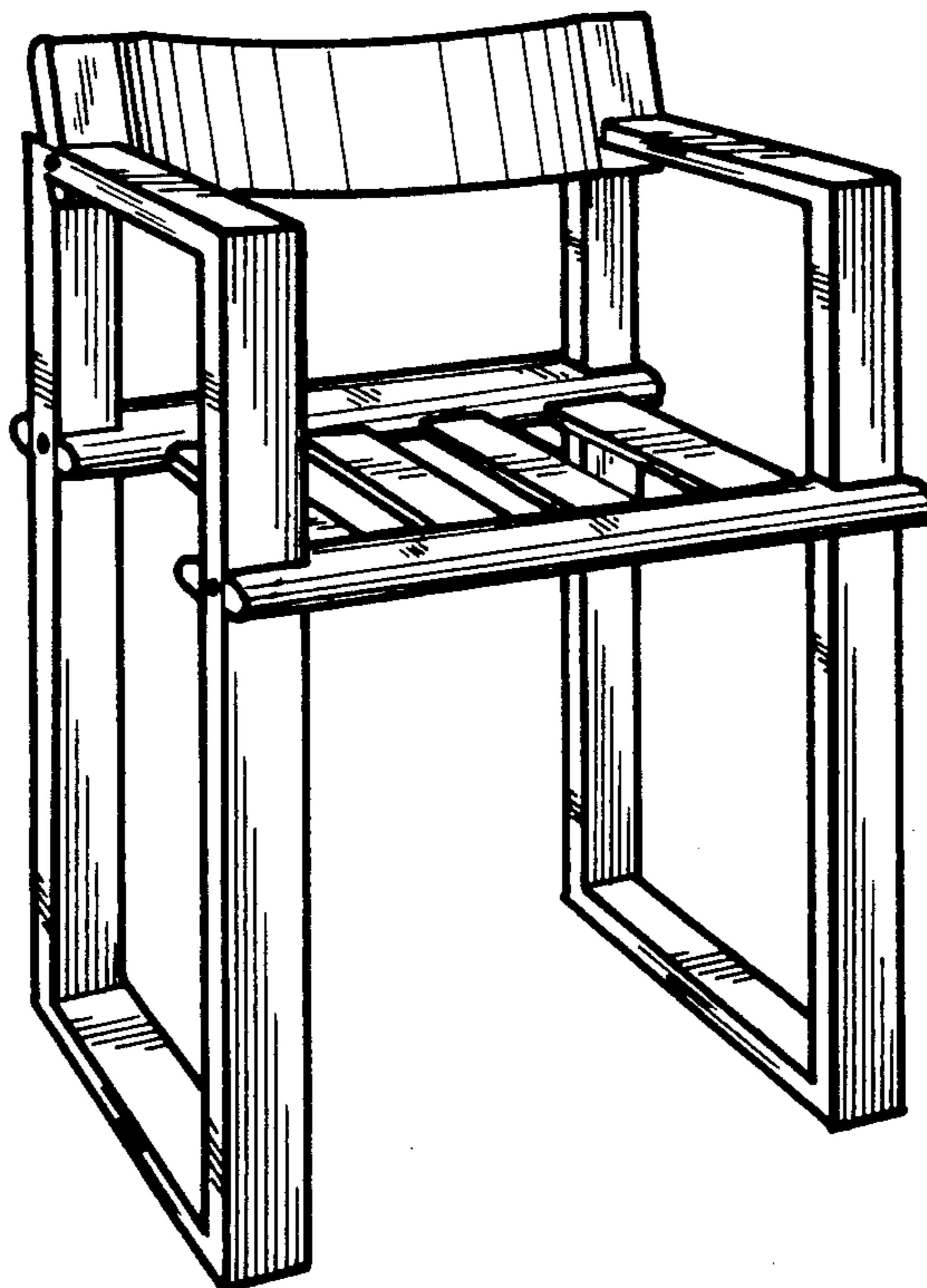
FIG. 3 is a front elevational view of the chair shown in FIG. 1.

FIG. 4 is a planar view from above of the chair shown in FIG. 1.

FIG. 5 is a rear elevational view of the chair shown in FIG. 1.

FIG. 6 is a side view of the chair as viewed from the left side.

FIG. 7 is a side view of the chair as viewed from the right side.



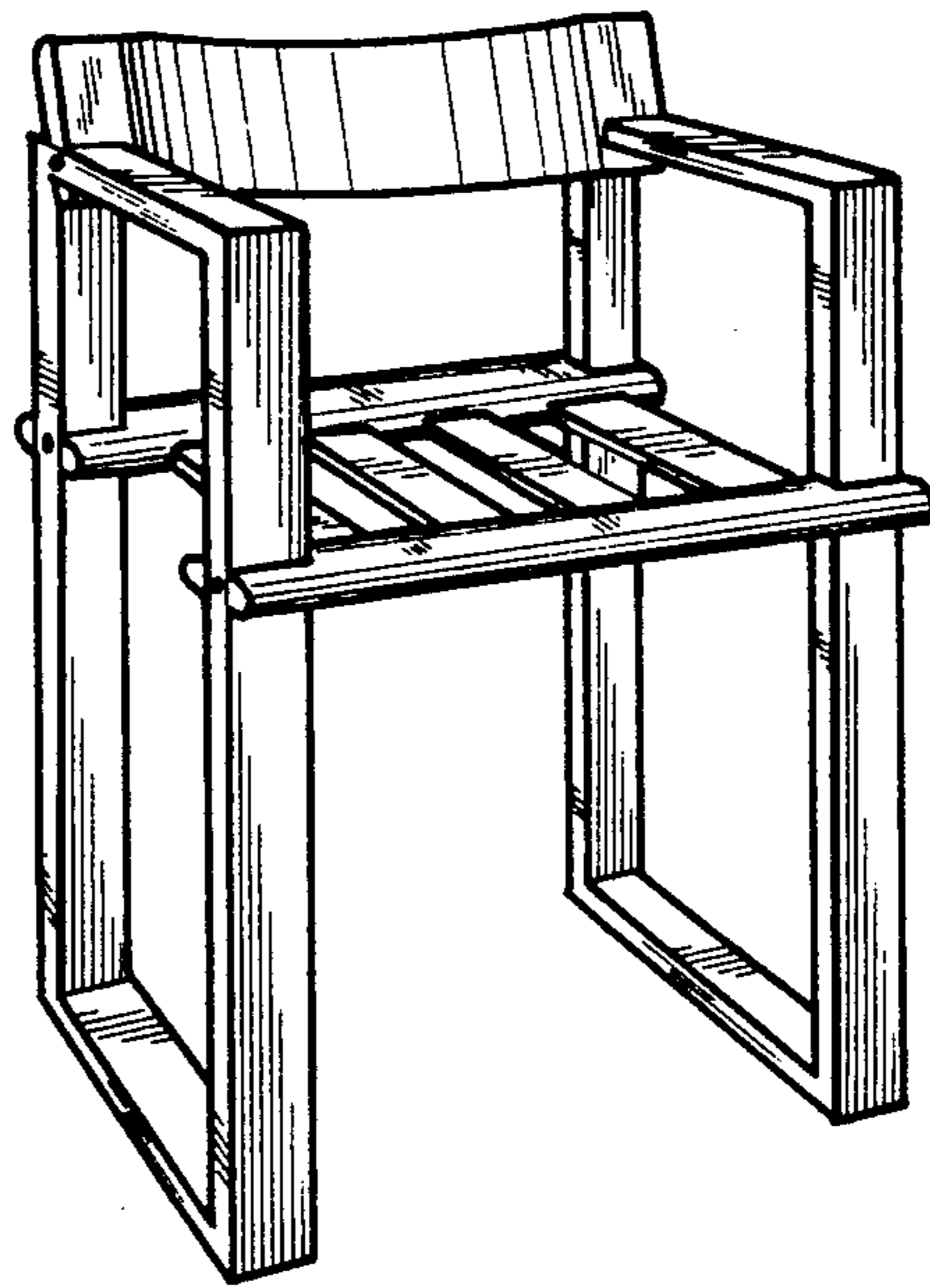


Fig. 1

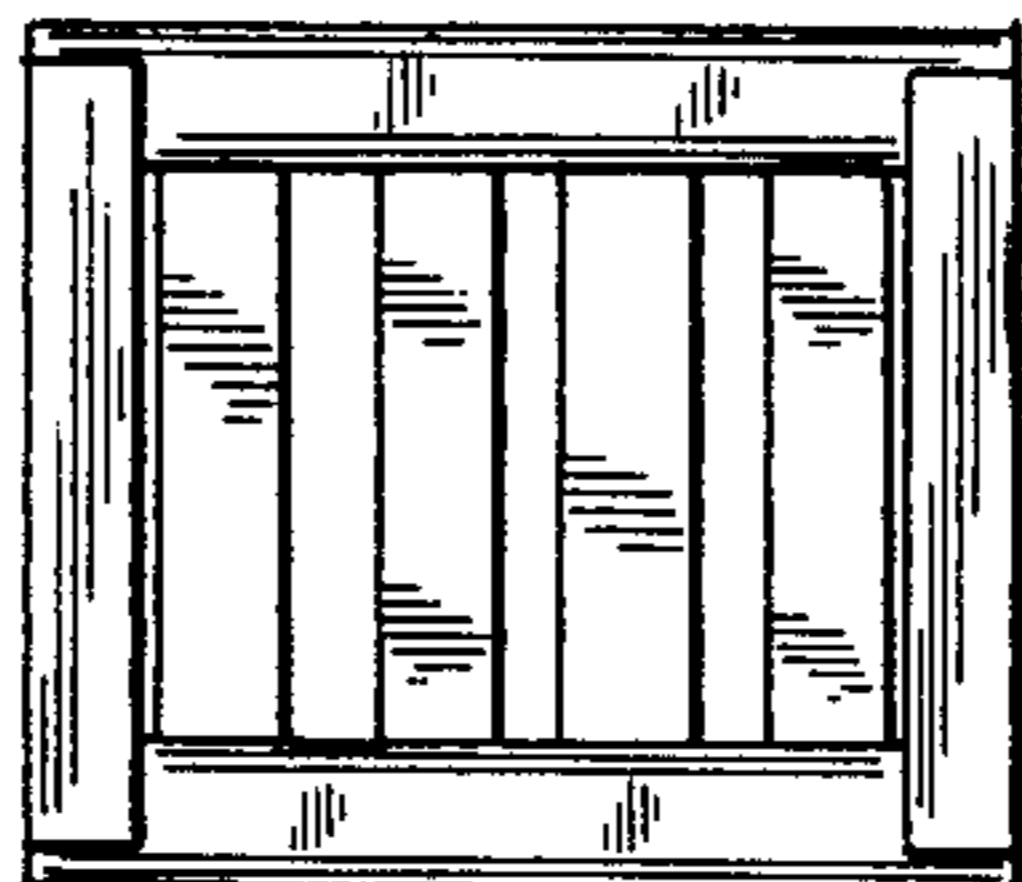


Fig. 2

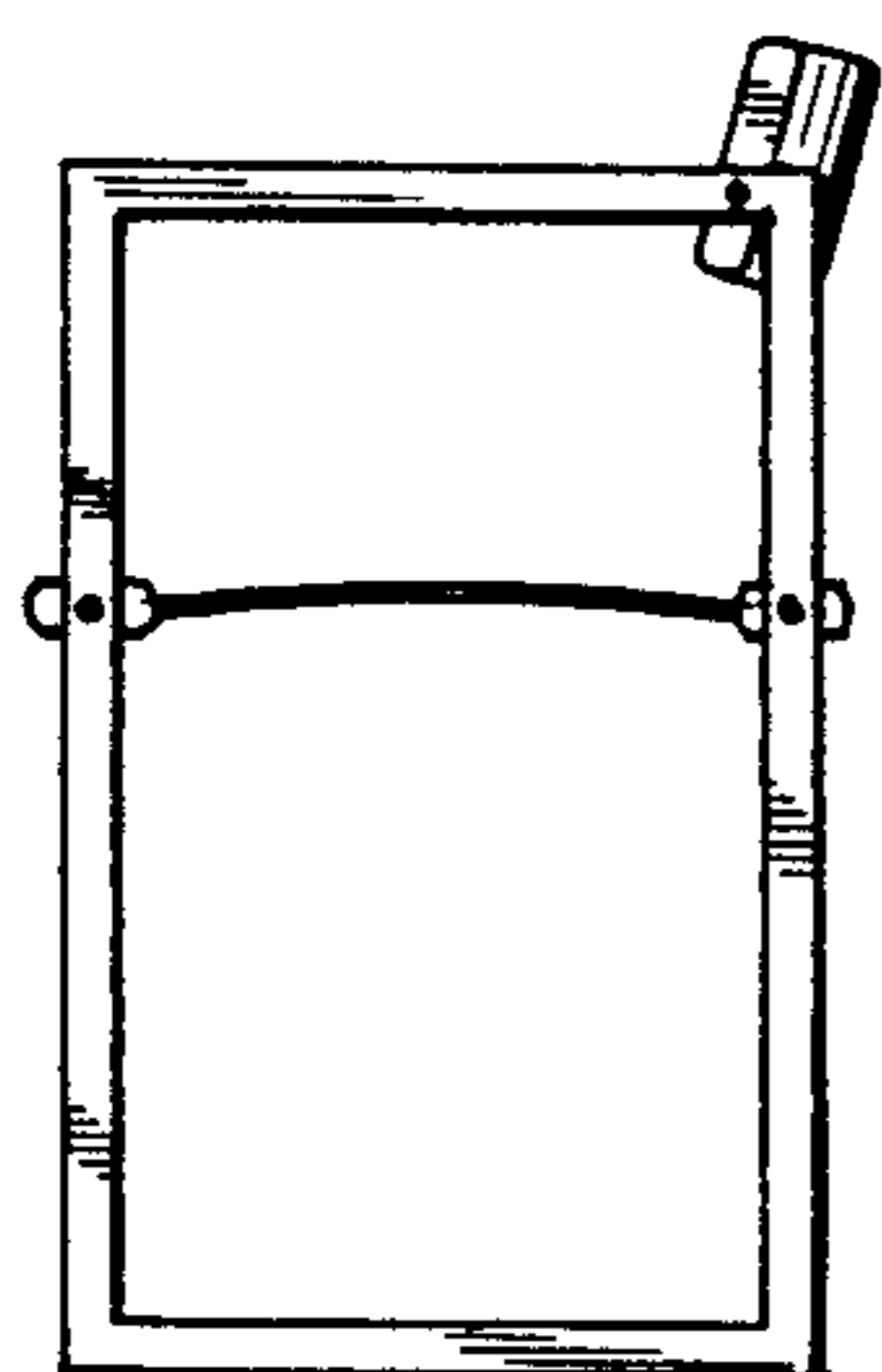


Fig. 6

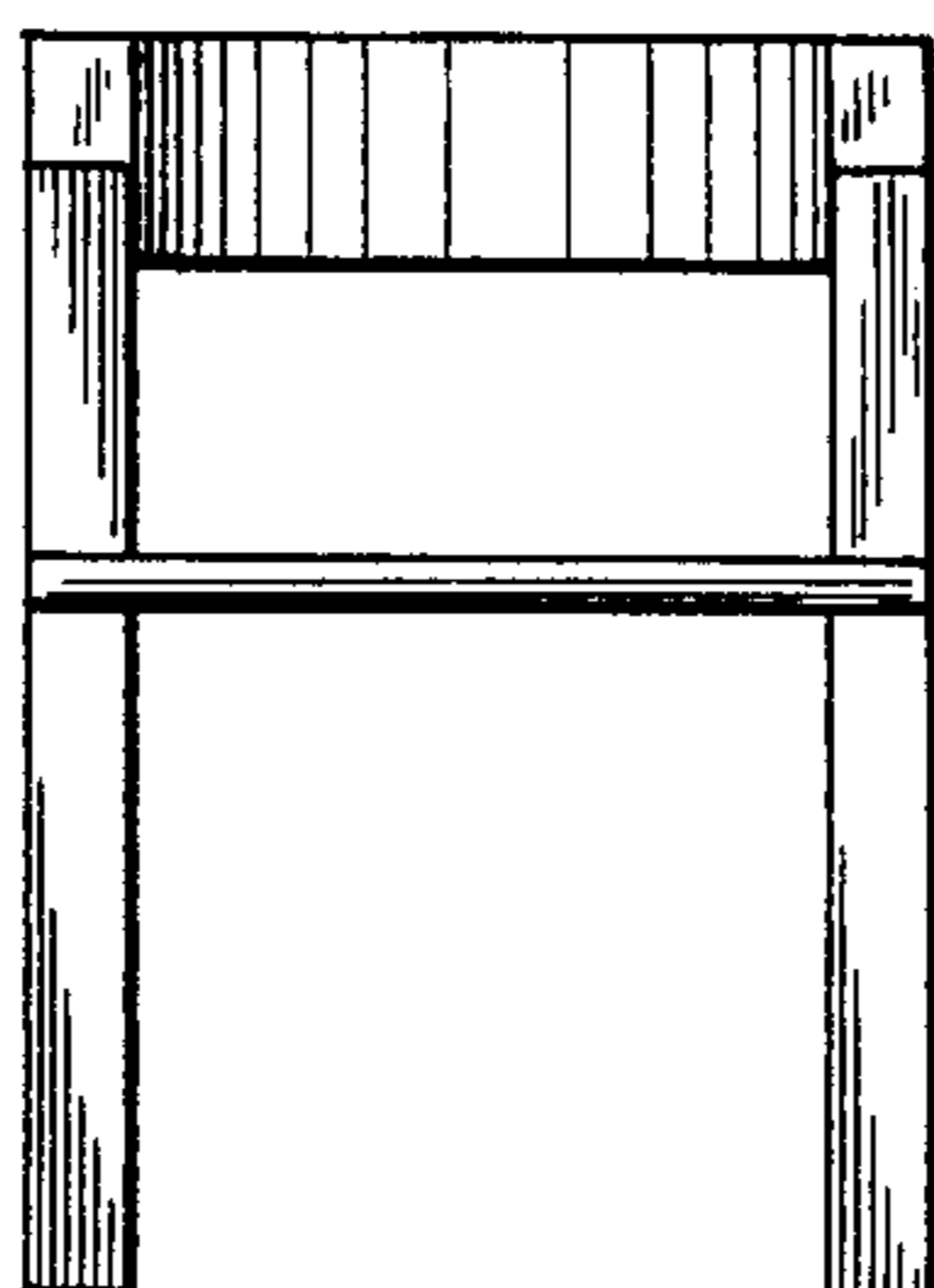


Fig. 3

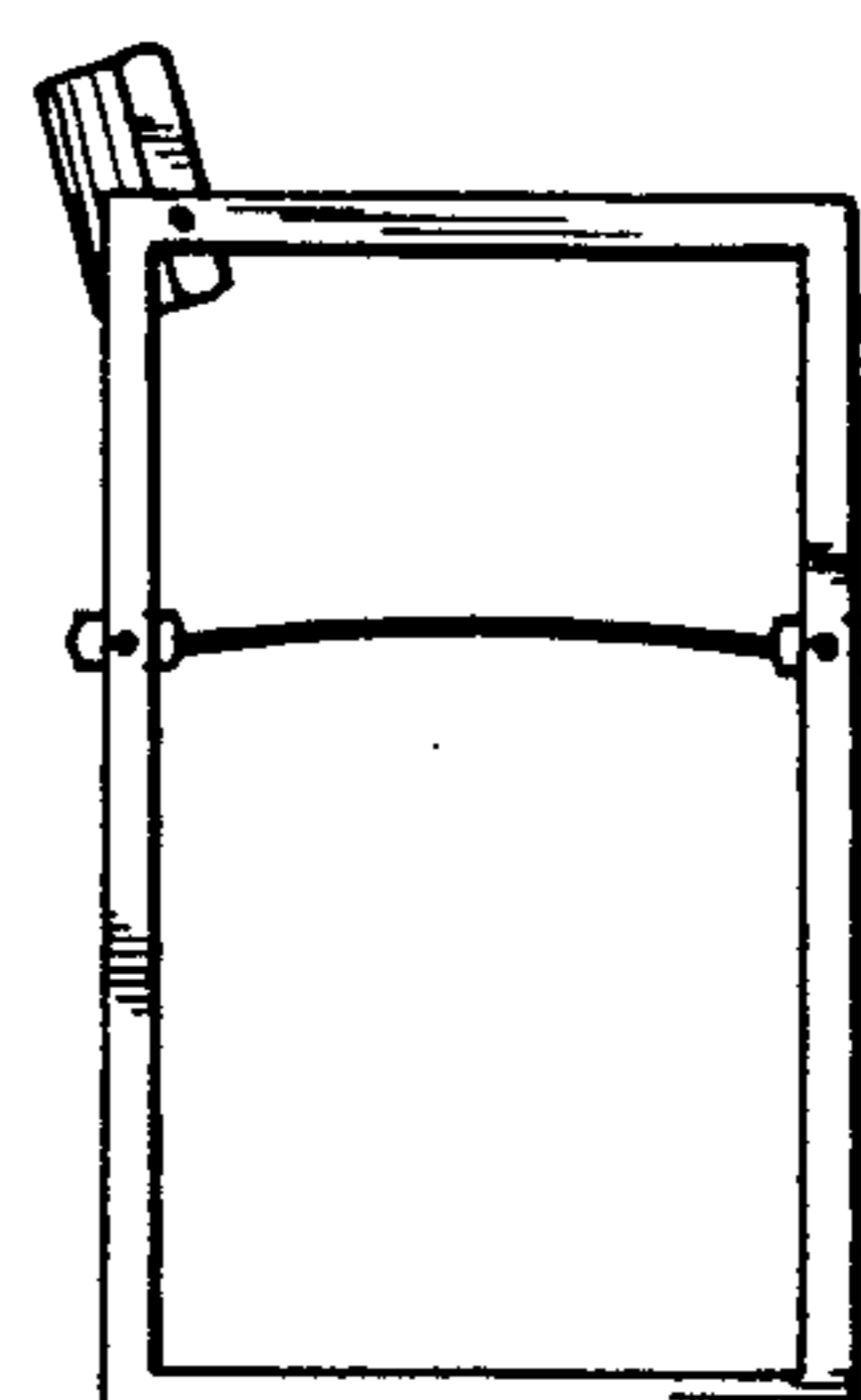


Fig. 7

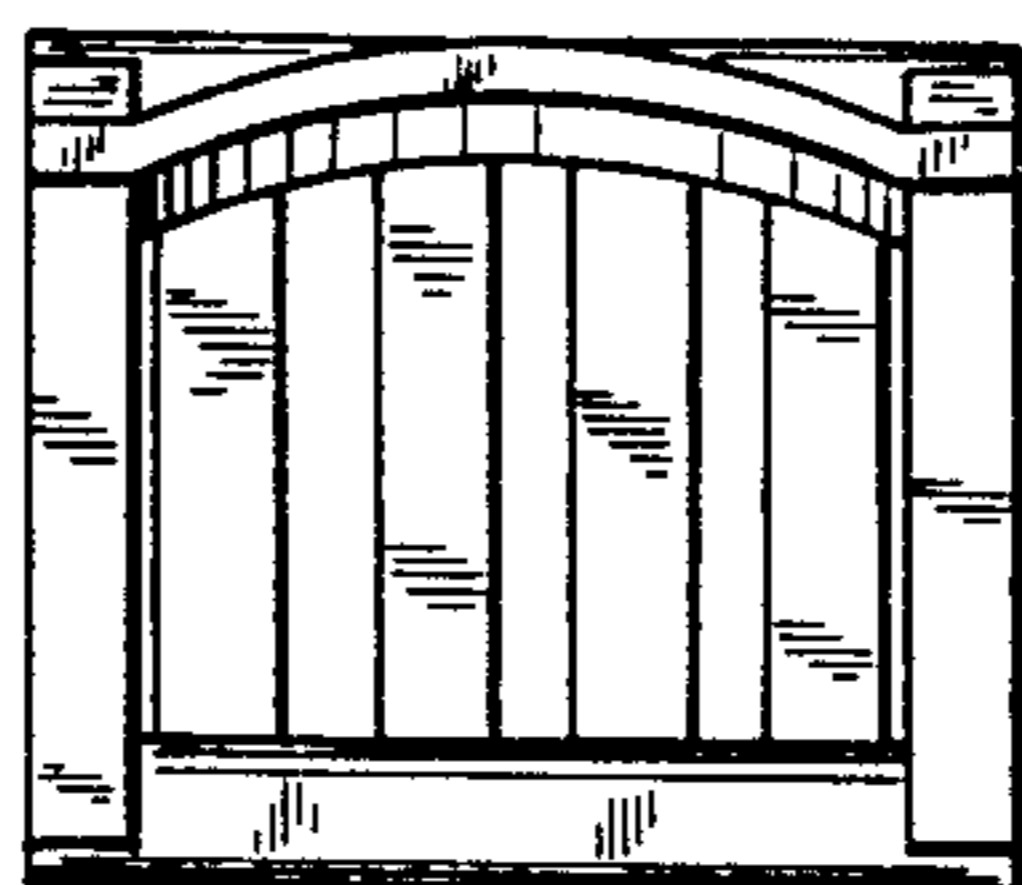


Fig. 4

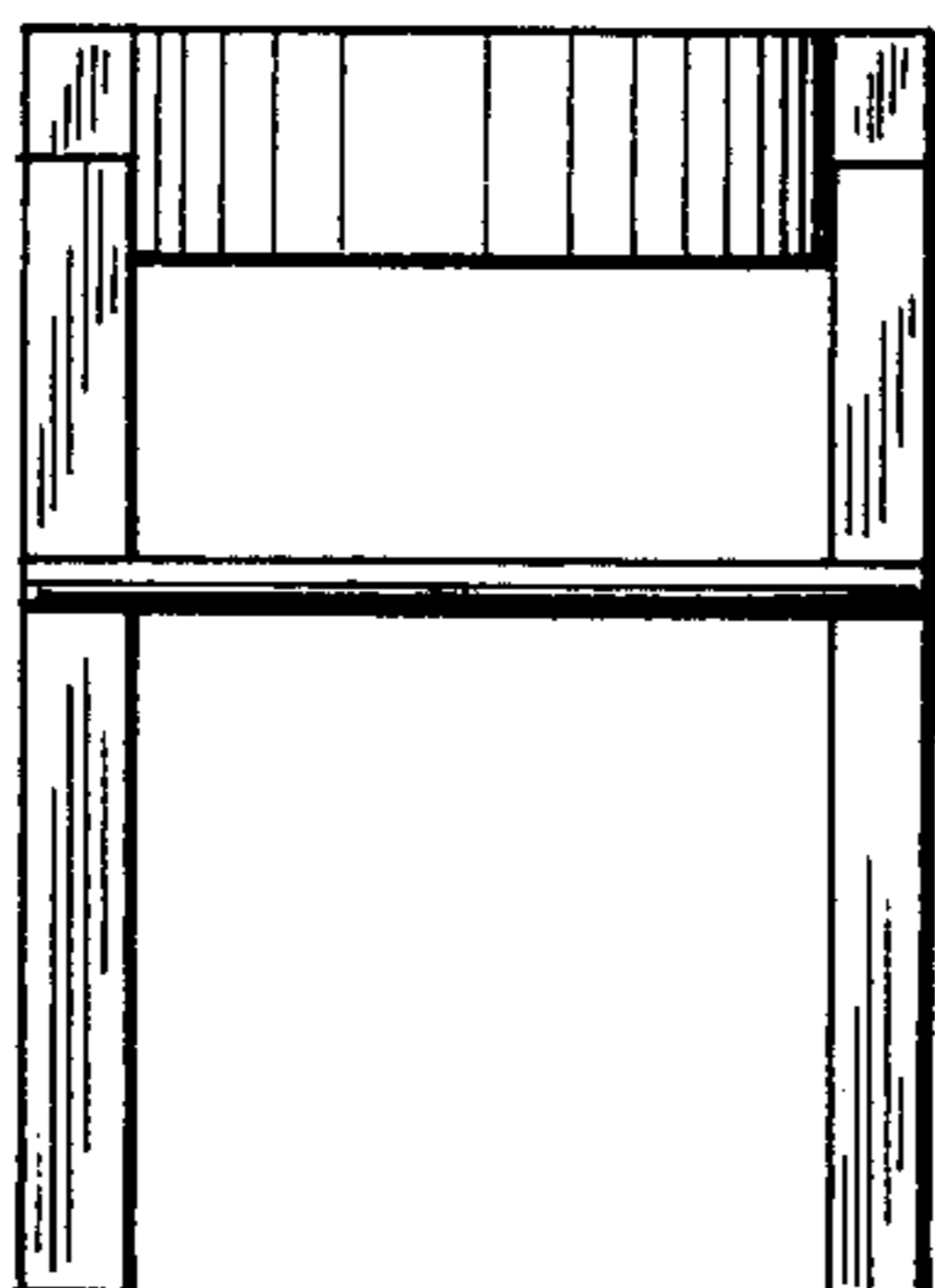


Fig. 5