

[54] **CAMERA HOLSTER**

[75] **Inventor:** James R. Globus, Los Angeles, Calif.

[73] **Assignee:** C.K.G. Products Corporation, Los Angeles, Calif.

[\*\*] **Term:** 14 Years

[21] **Appl. No.:** 941,723

[22] **Filed:** Sep. 11, 1978

[51] **Int. Cl.** ..... D3—02  
[52] **U.S. Cl.** ..... D3/33; 150/52 J  
[58] **Field of Search** ..... D3/33; D16/82;  
150/52 J, 52 R; D22/14, 13, 1; 206/316;  
224/908

[56] **References Cited**

**U.S. PATENT DOCUMENTS**

D. 206,702 1/1967 Conner ..... D3/33  
3,670,749 6/1972 Buschmann ..... 150/52 R  
3,912,137 10/1975 Tomatsuri ..... D3/33

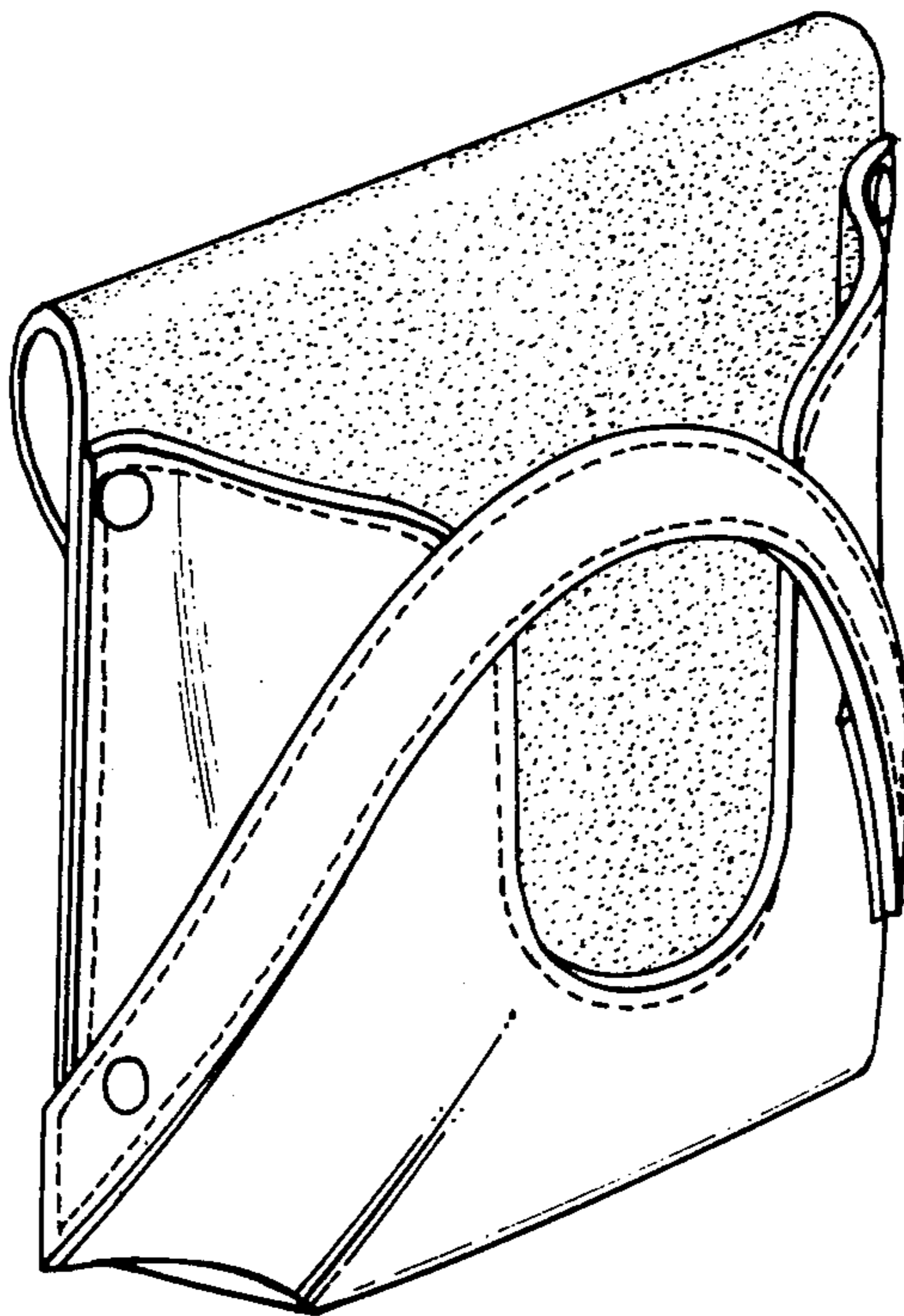
*Primary Examiner*—Donald B. Moyer  
*Attorney, Agent, or Firm*—Larry K. Roberts

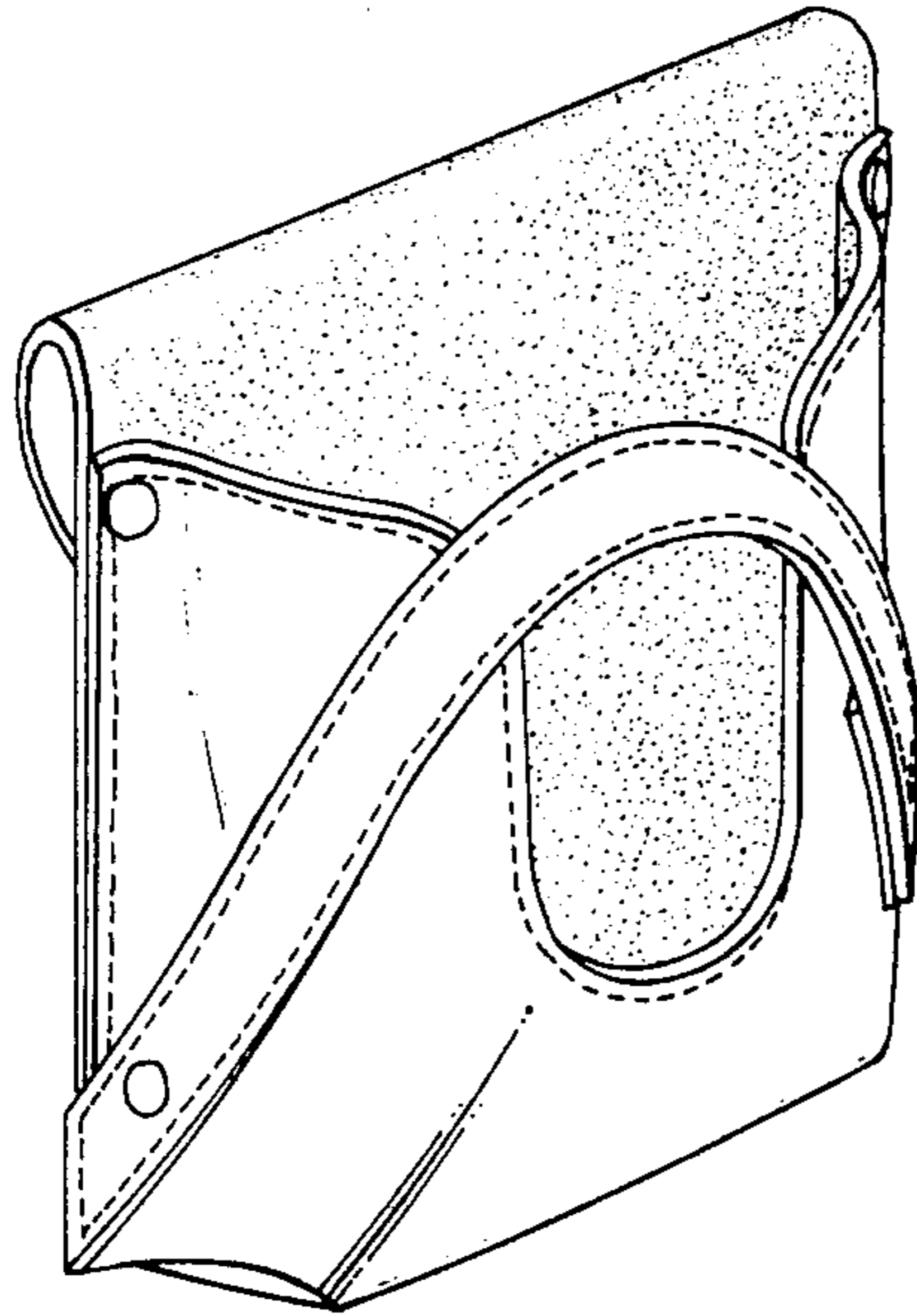
[57] **CLAIM**

The ornamental design for a camera holster, substantially as shown and described.

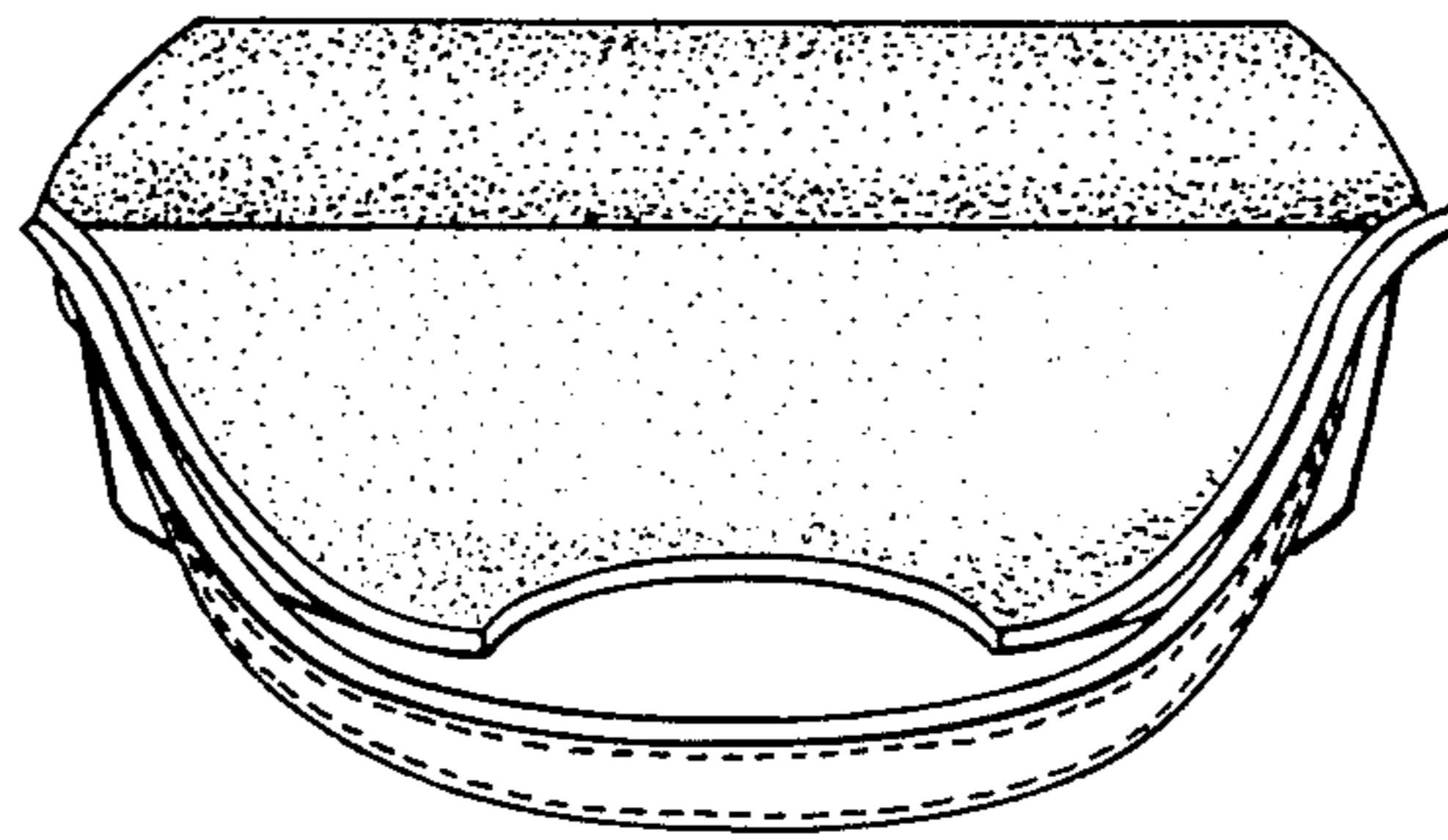
**DESCRIPTION**

FIG. 1 is a left front perspective view of a camera holster showing my new design;  
FIG. 2 is a top plan view;  
FIG. 3 is a front elevational view;  
FIG. 4 is a left side elevational view, the right side being a mirror image thereof;  
FIG. 5 is a rear elevational view; and  
FIG. 6 is a bottom plan view thereof.

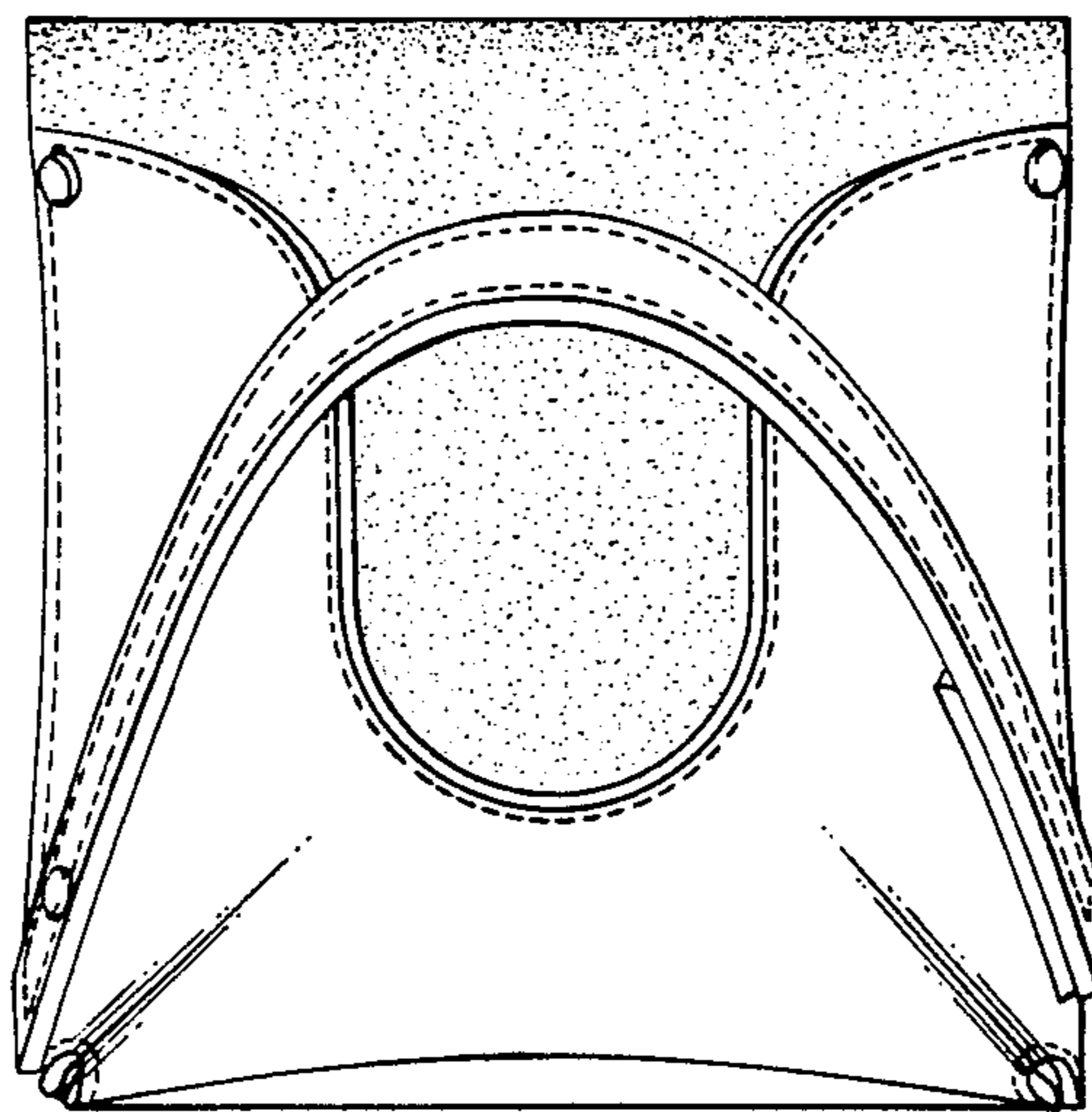




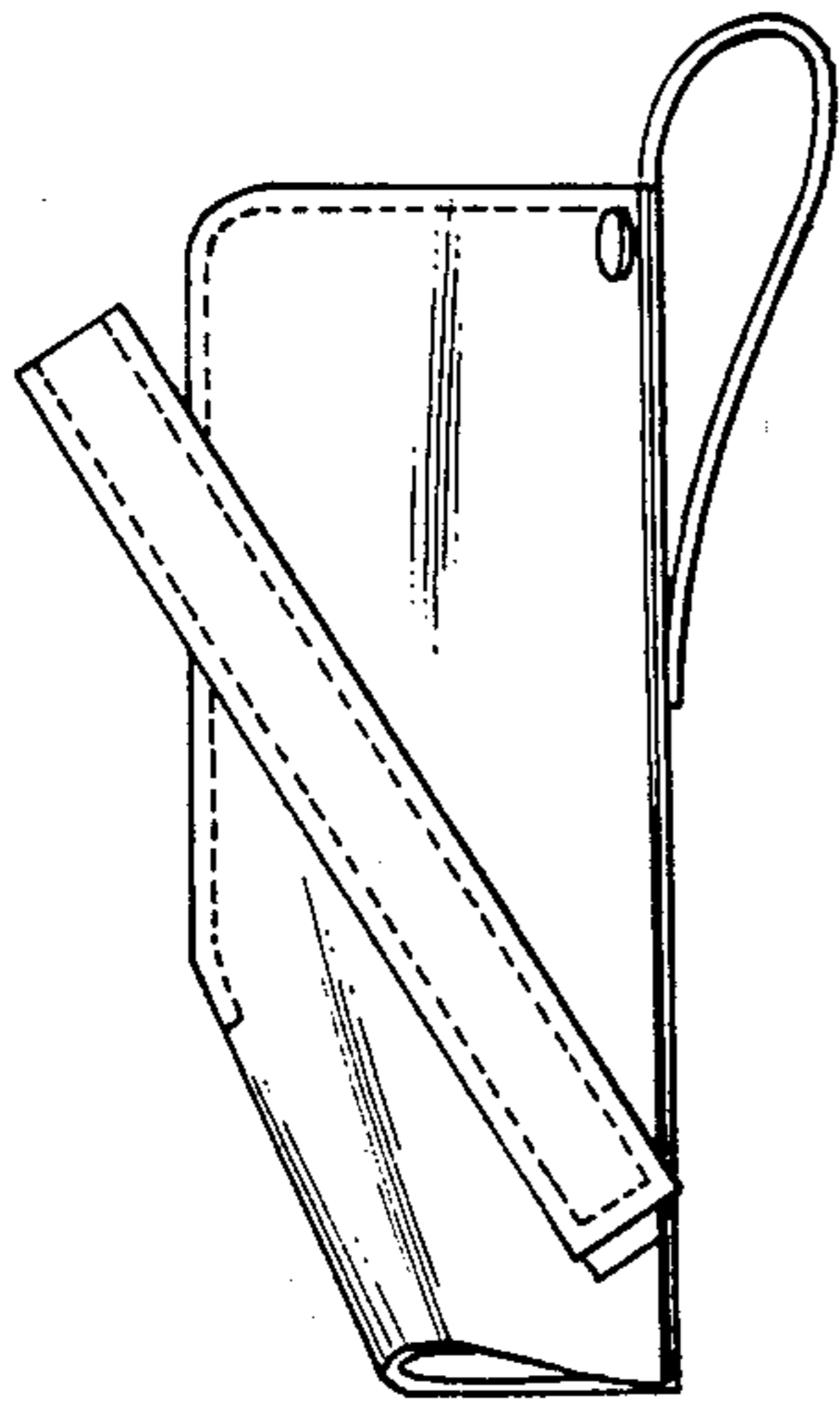
*Fig. 1*



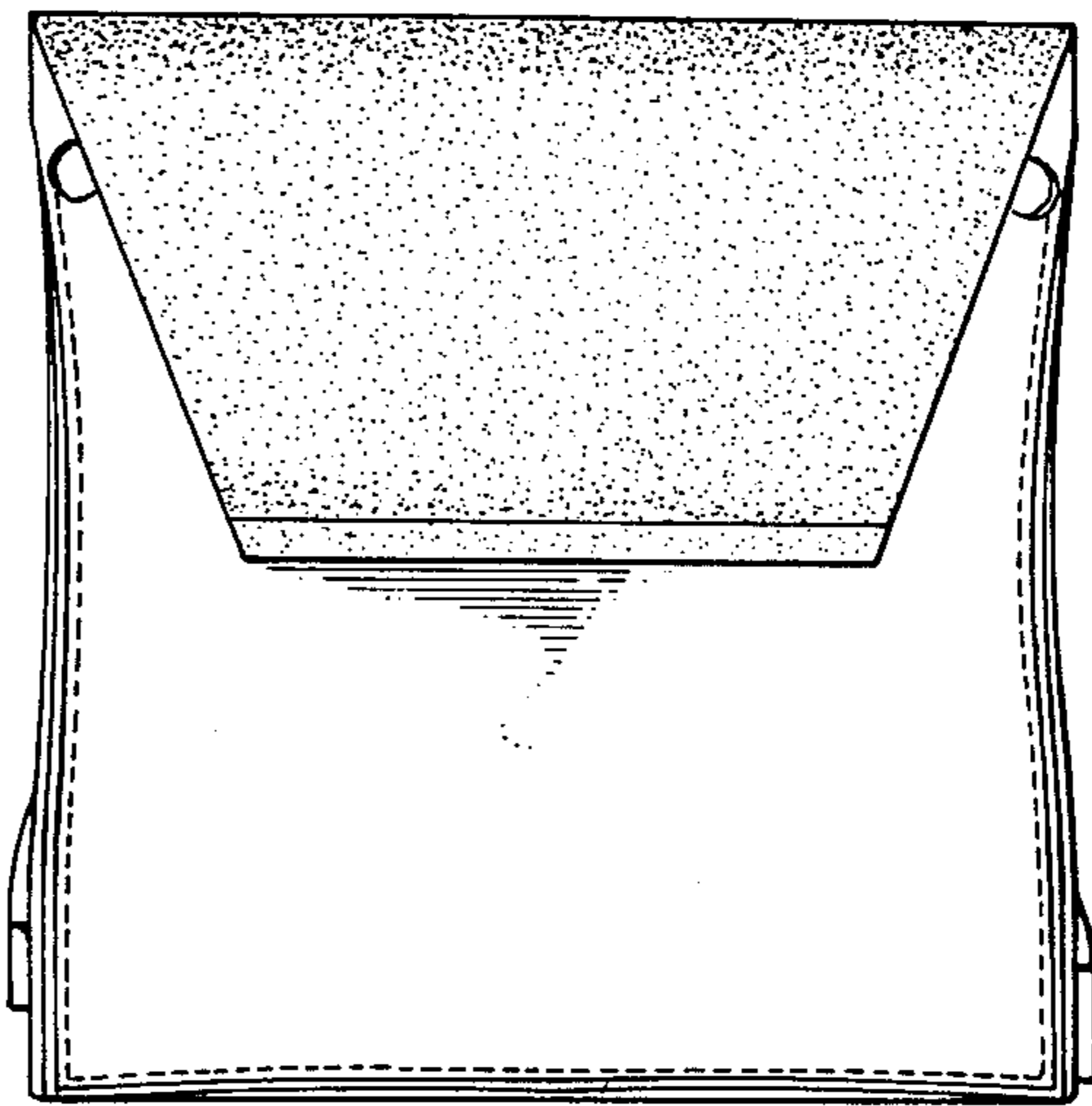
*Fig. 2*



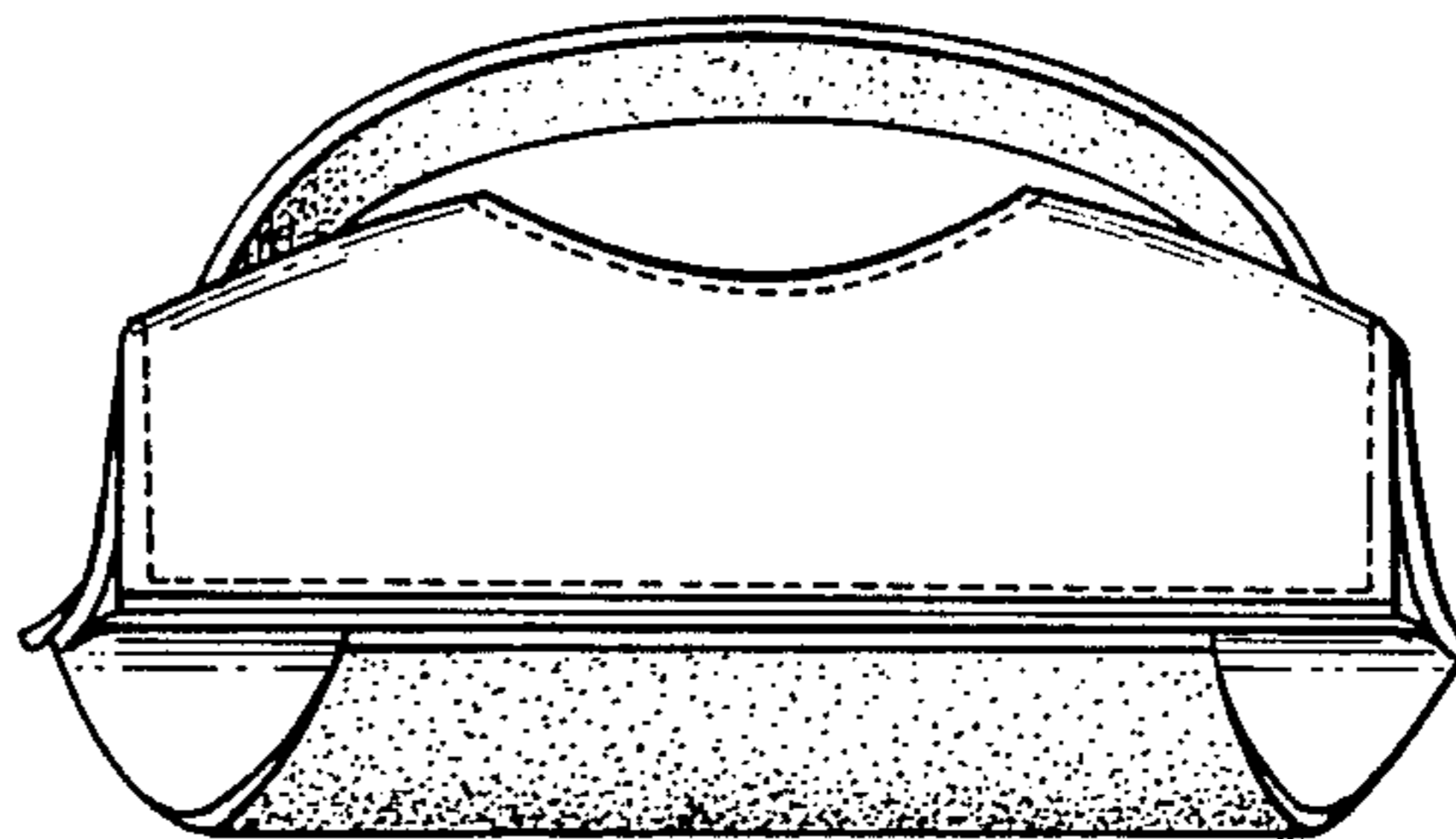
*Fig. 3*



*Fig. 4*



*Fig. 5*



*Fig. 6*