

[54] CONVEX INSERT FOR OSTOMY RECEPTACLE

[76] Inventor: Eugene R. Galindo, 2926 Highridge Rd., La Crescenta, Calif. 91214

[\*\*] Term: 14 Years

[21] Appl. No.: 908,210

[22] Filed: May 22, 1978

[51] Int. Cl. .... D24-04

[52] U.S. Cl. .... D24/61; D24/59

[58] Field of Search ..... 128/283; D24/59, 61

[56] References Cited

U.S. PATENT DOCUMENTS

- 2,026,104 12/1935 Smith ..... 128/283
- 3,074,404 1/1963 Robinson ..... 128/283

3,954,105 5/1976 Nordby et al. .... 128/283

Primary Examiner—Sam Rosen  
Attorney, Agent, or Firm—Thomas P. Mahoney

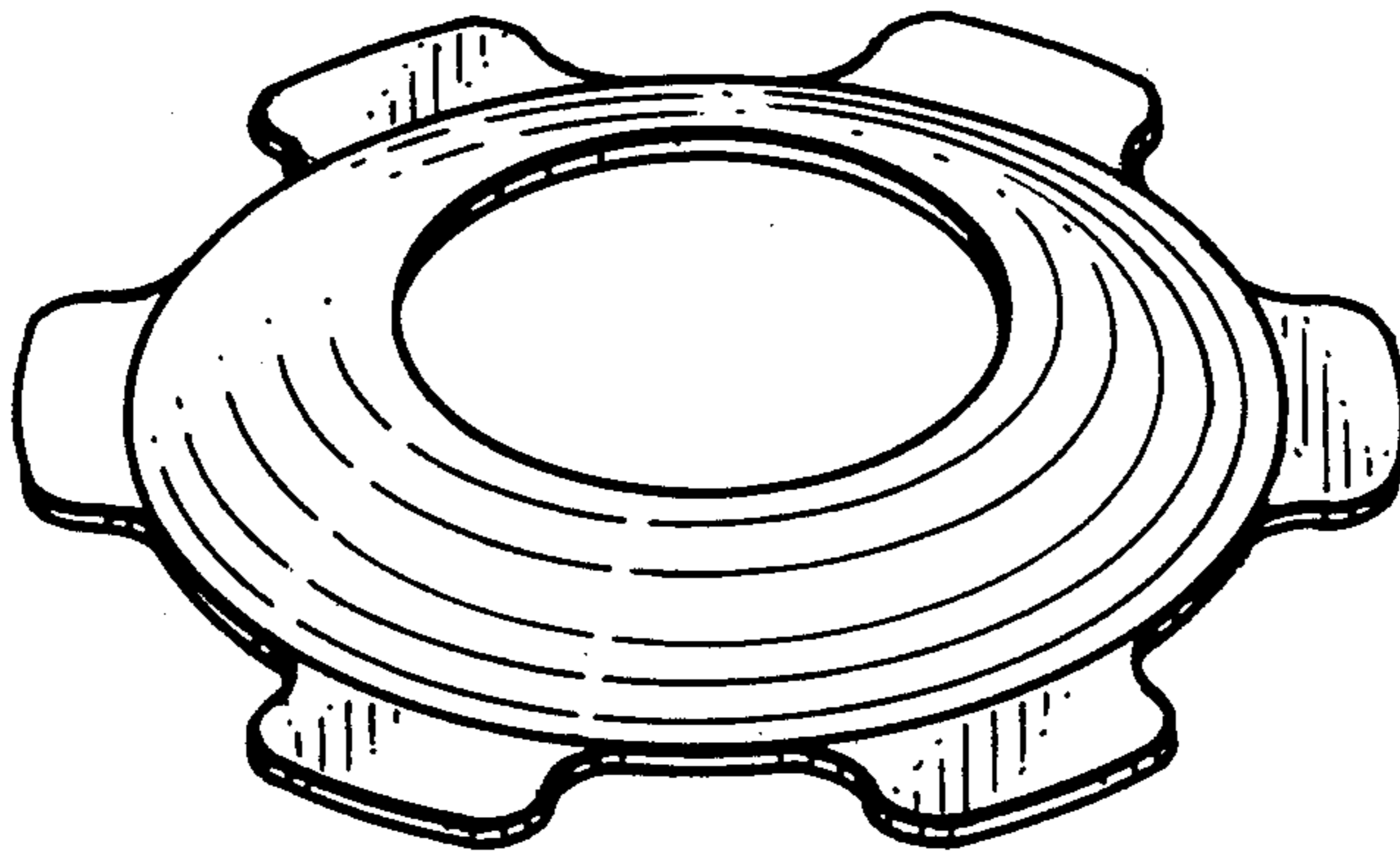
[57] CLAIM

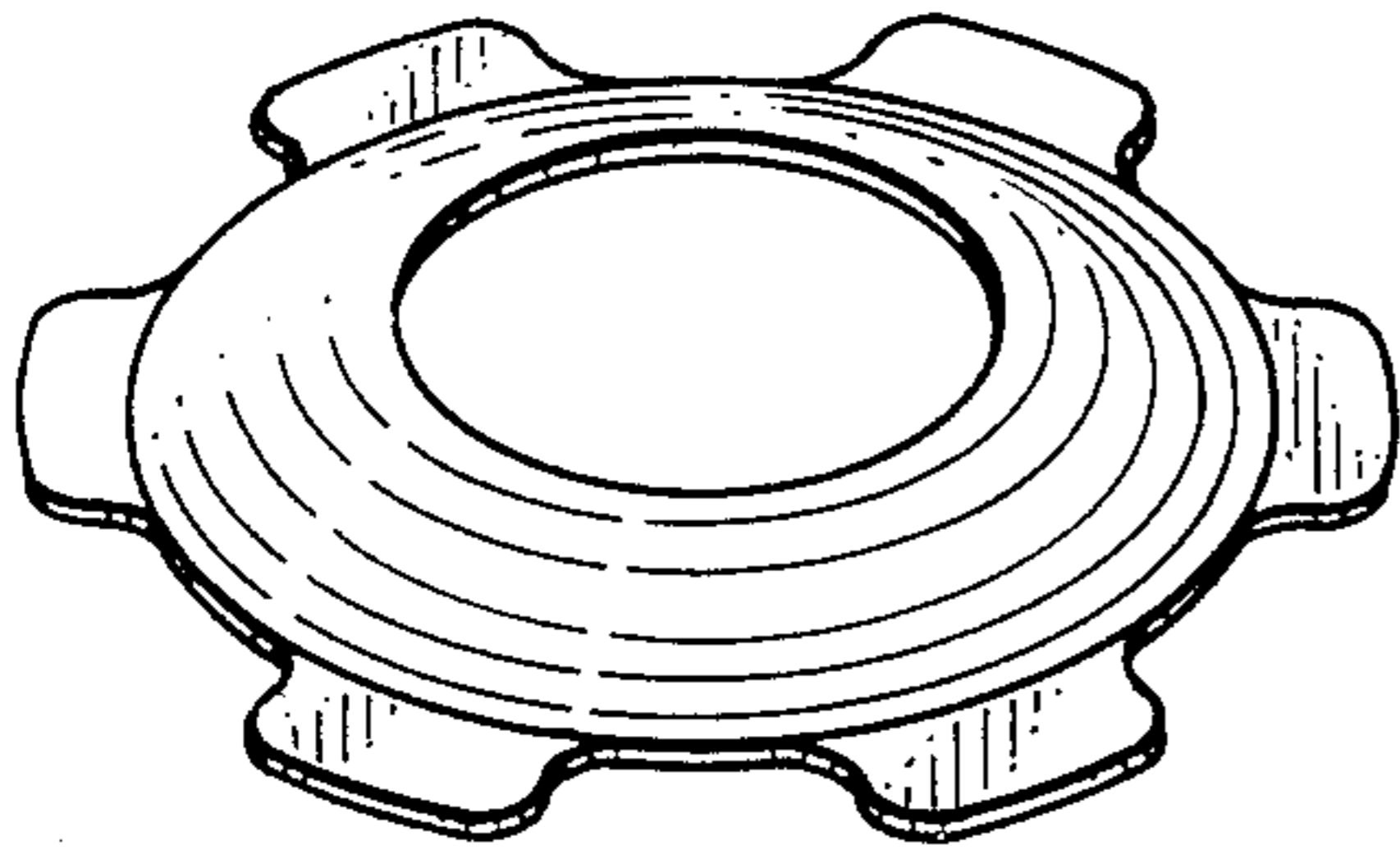
The ornamental design for a convex insert for ostomy receptacle, as shown and described.

DESCRIPTION

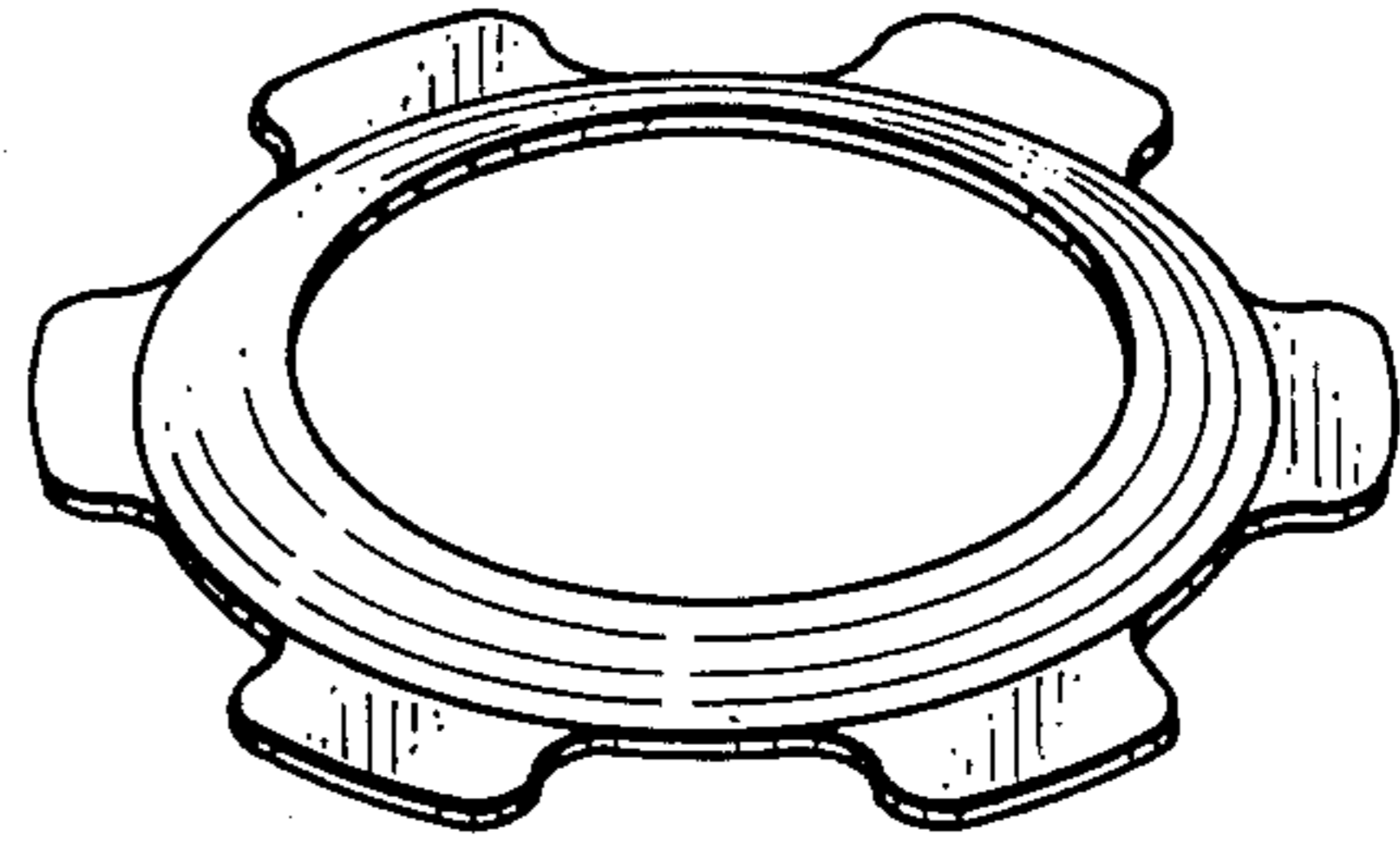
FIG. 1 is a perspective view of the convex insert for ostomy receptacle of my invention; FIG. 2 is a top view thereof; FIG. 3 is a side view thereof; FIG. 4 is a bottom view thereof; FIG. 5 is a view taken along the line 5—5 of FIG. 2; and FIG. 6 is an alternate embodiment of the device illustrated in FIG. 1.

The underside contour of the claimed design generally follows the contour of the top of the design.

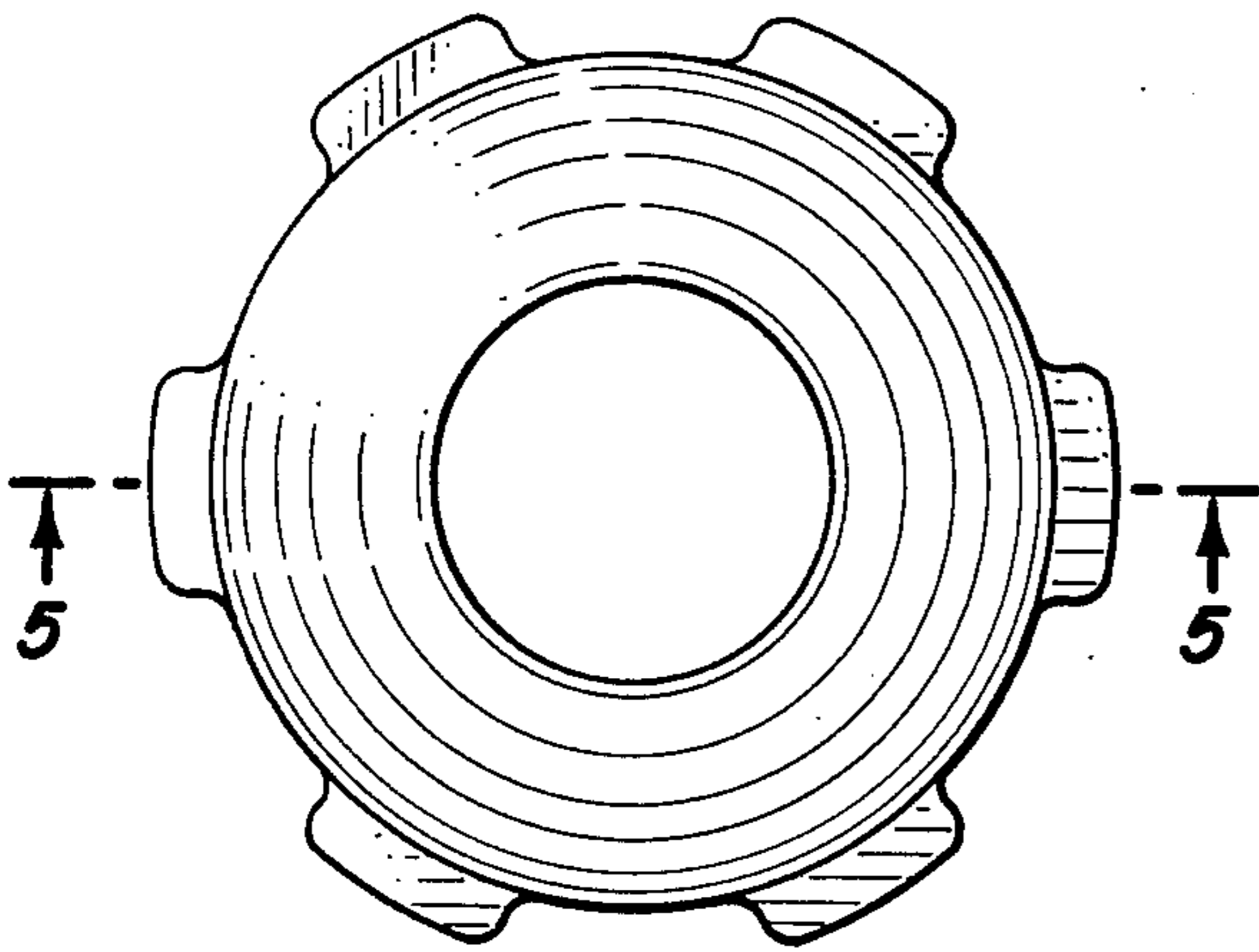




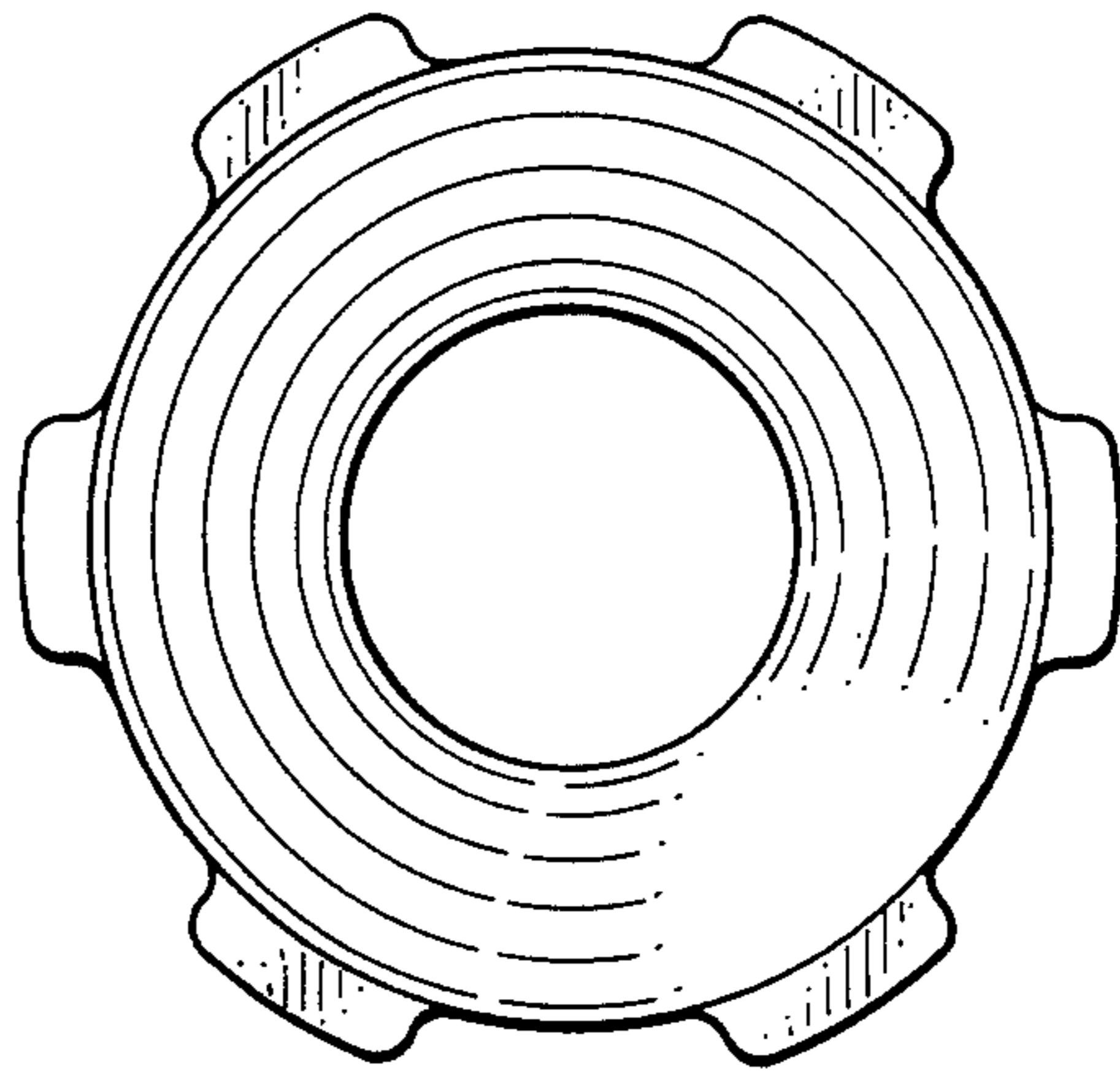
*Fig. 1*



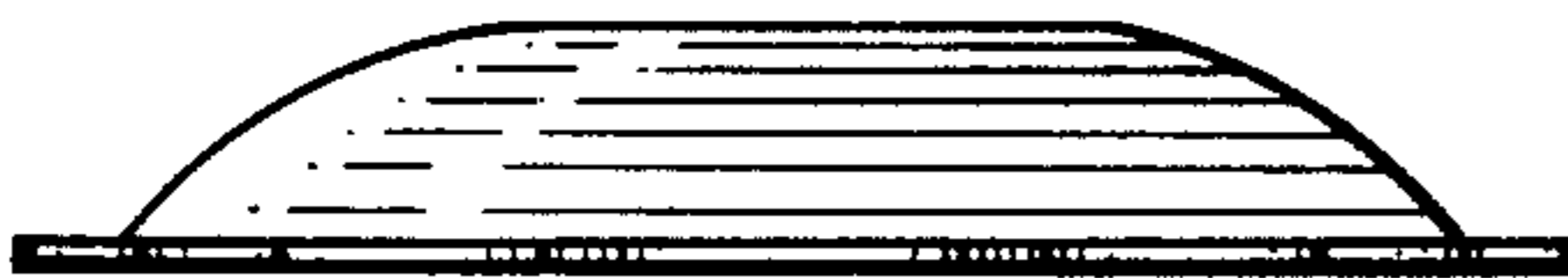
*Fig. 6.*



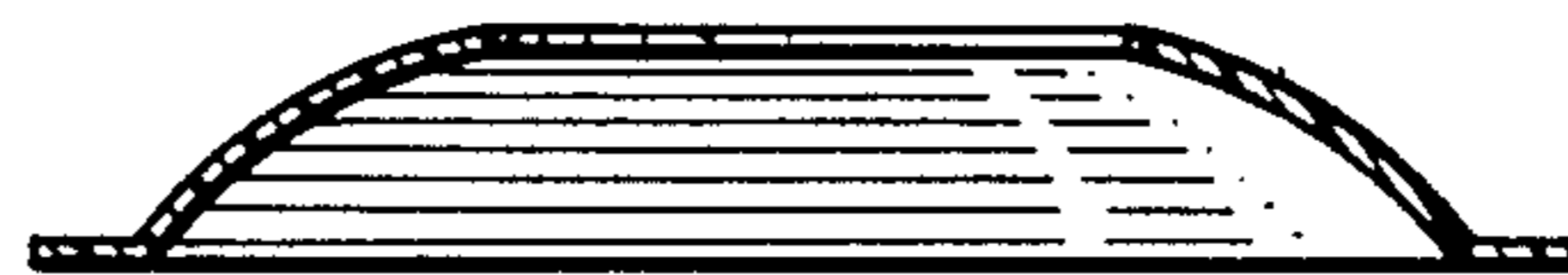
*Fig. 2.*



*Fig. 4.*



*Fig. 3.*



*Fig. 5.*