

[54] FLUID METERING VALVE FOR MEDICAL APPARATUS AND THE LIKE

[76] Inventors: Delbert D. Swartz, 4808 Asteria St., Torrance, Calif. 90503; Masayuki Tamaya, 11232 Central Ave., South El Monte, Calif. 91733

[**] Term: 14 Years

[21] Appl. No.: 927,054

[22] Filed: Jul. 24, 1978

[51] Int. Cl. D24-02; D23-01

[52] U.S. Cl. D24/53; D23/19

[58] Field of Search D23/19-22; D24/8, 53; 251/208, 352, 312, 368, 209

[56] References Cited

U.S. PATENT DOCUMENTS

- D. 199,488 11/1964 Beall D24/53
- D. 239,283 3/1976 Villari D24/53 X

- D. 246,909 1/1978 Dennis D23/21
- 2,832,562 4/1958 Myers 251/312 X
- 3,323,774 6/1967 Wilson 251/352 X
- 3,677,516 7/1972 Hicks 251/208 X

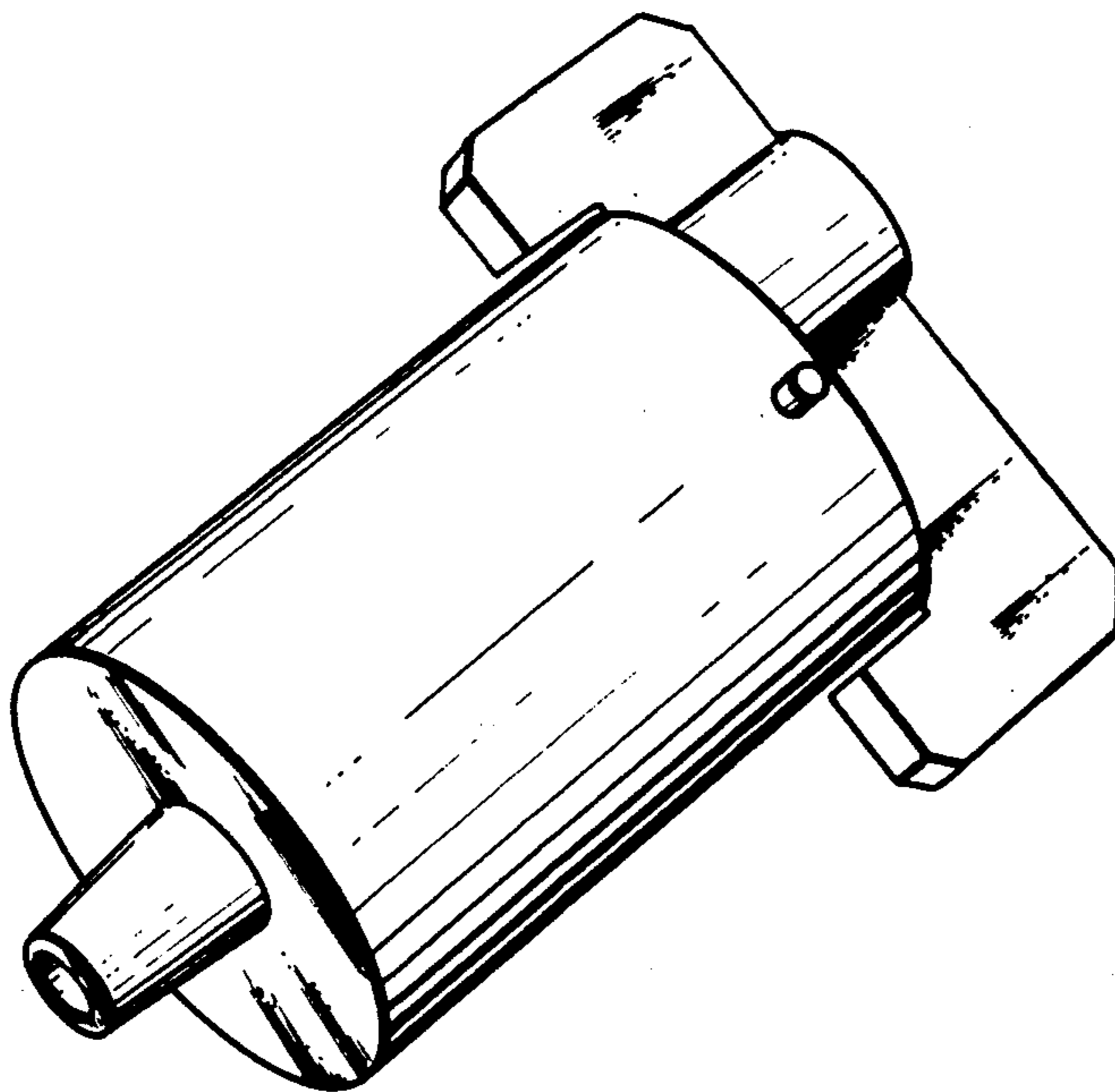
Primary Examiner—Bernard Ansher
Attorney, Agent, or Firm—Alfred B. Levine

[57] CLAIM

The ornamental design for a fluid metering valve for medical apparatus and the like, substantially as shown and described.

DESCRIPTION

FIG. 1 is a perspective view of a metering valve for medical apparatus and the like illustrating our design; FIG. 2 is a bottom plan view thereof; FIG. 3 is a front elevation thereof; FIG. 4 is a top plan view thereof; FIG. 5 is a left side elevation thereof; FIG. 6 is a right side elevation thereof; and FIG. 7 is a rear elevation thereof.



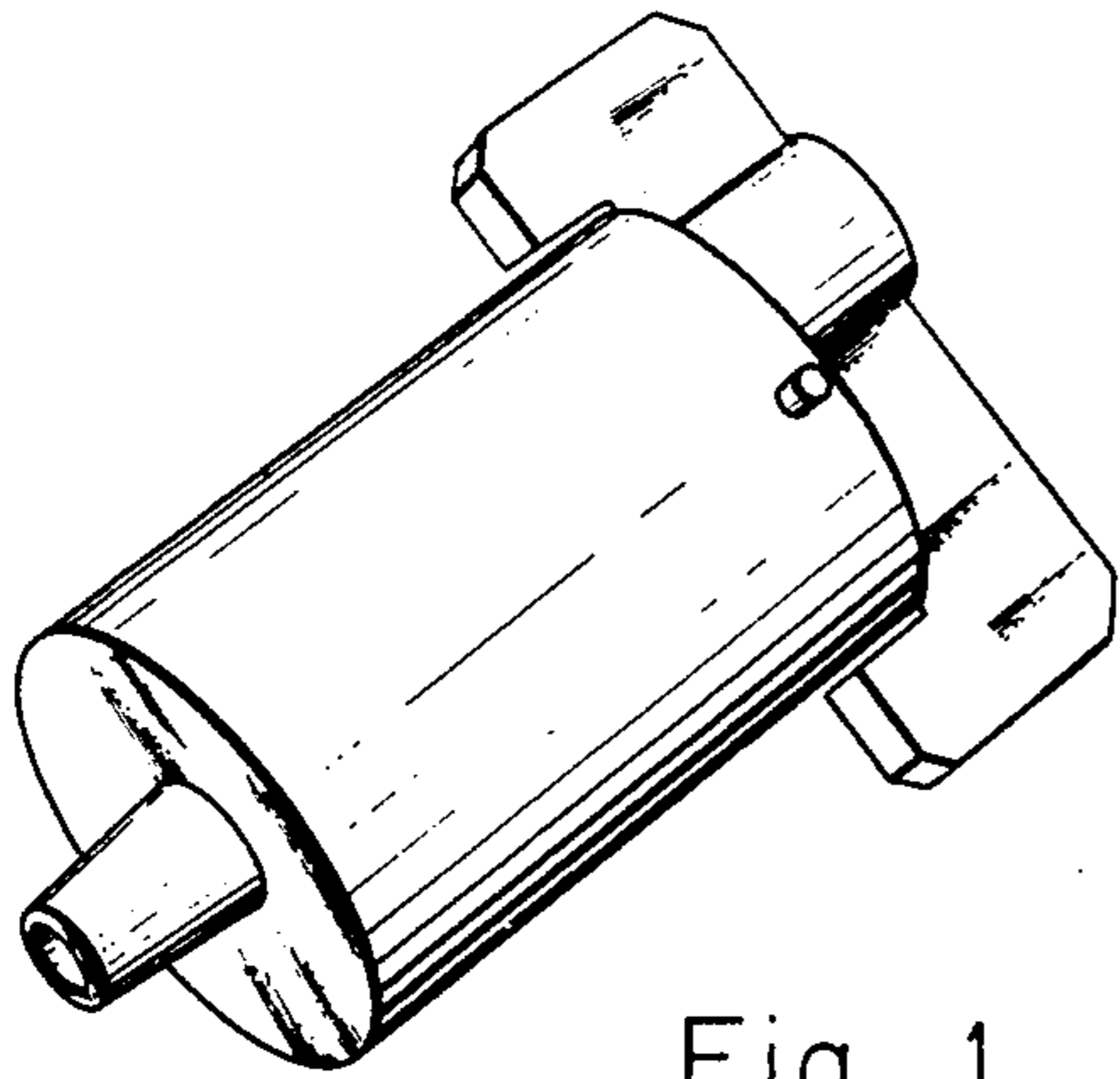


Fig. 1.

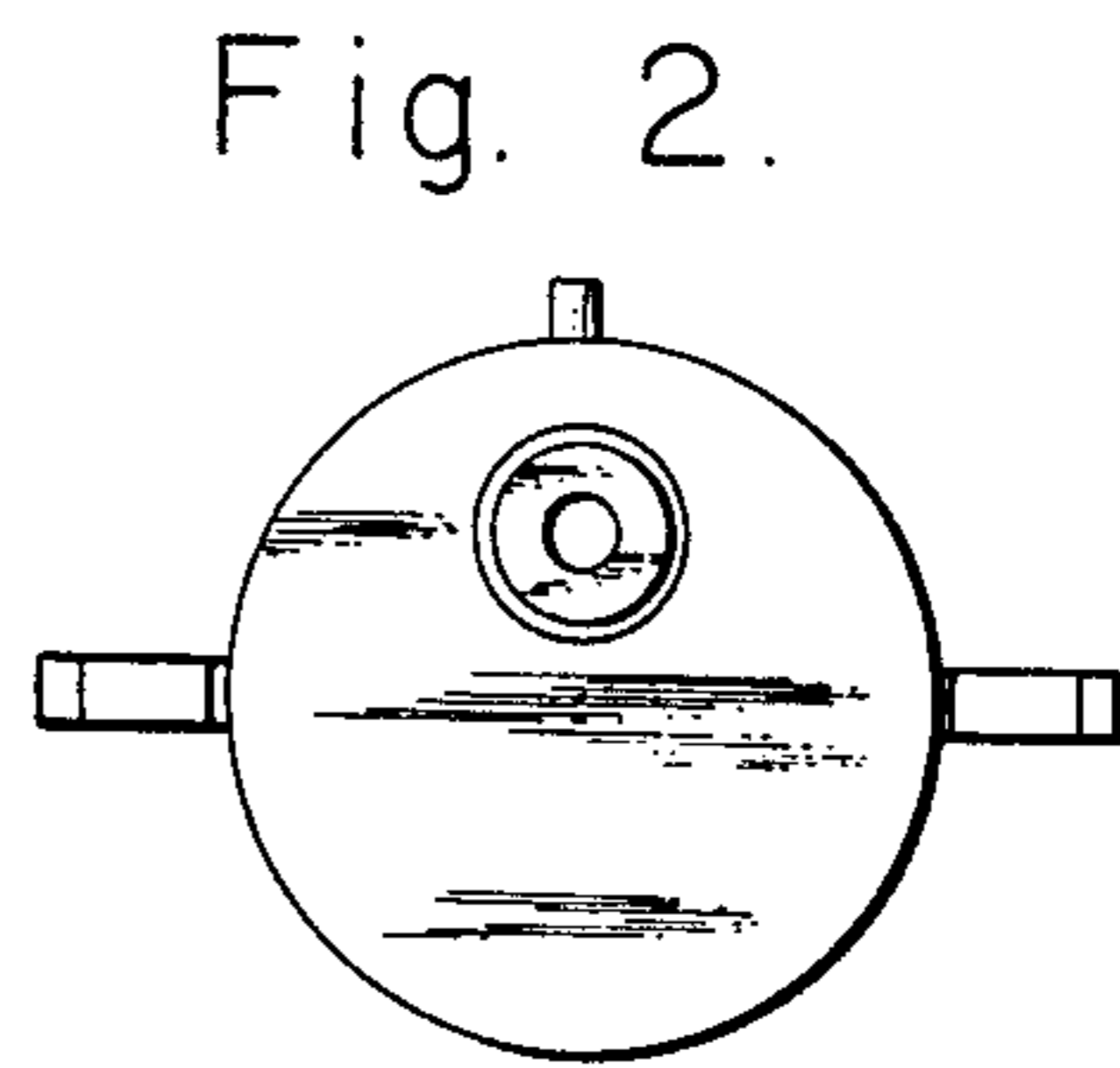


Fig. 2.

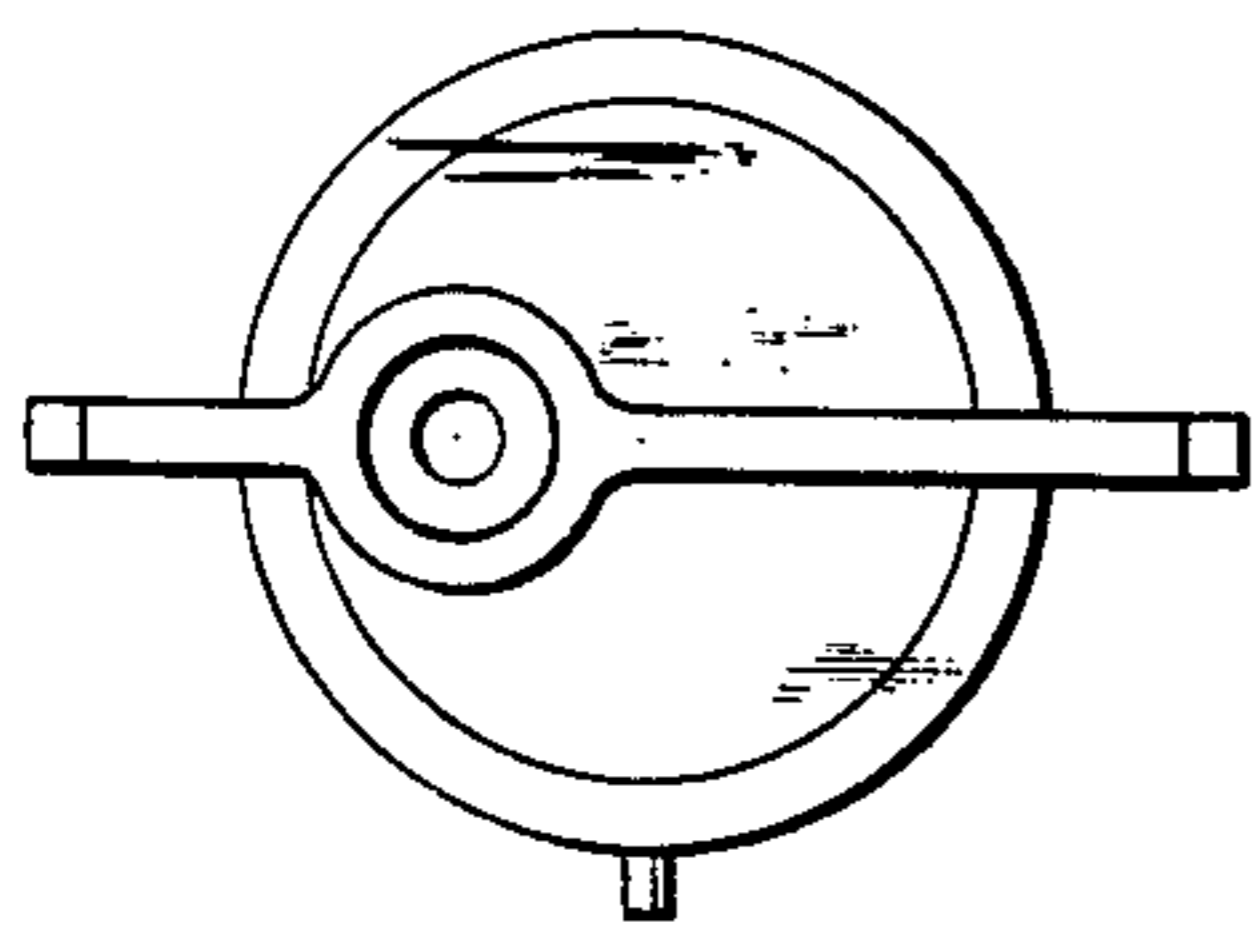


Fig. 4.

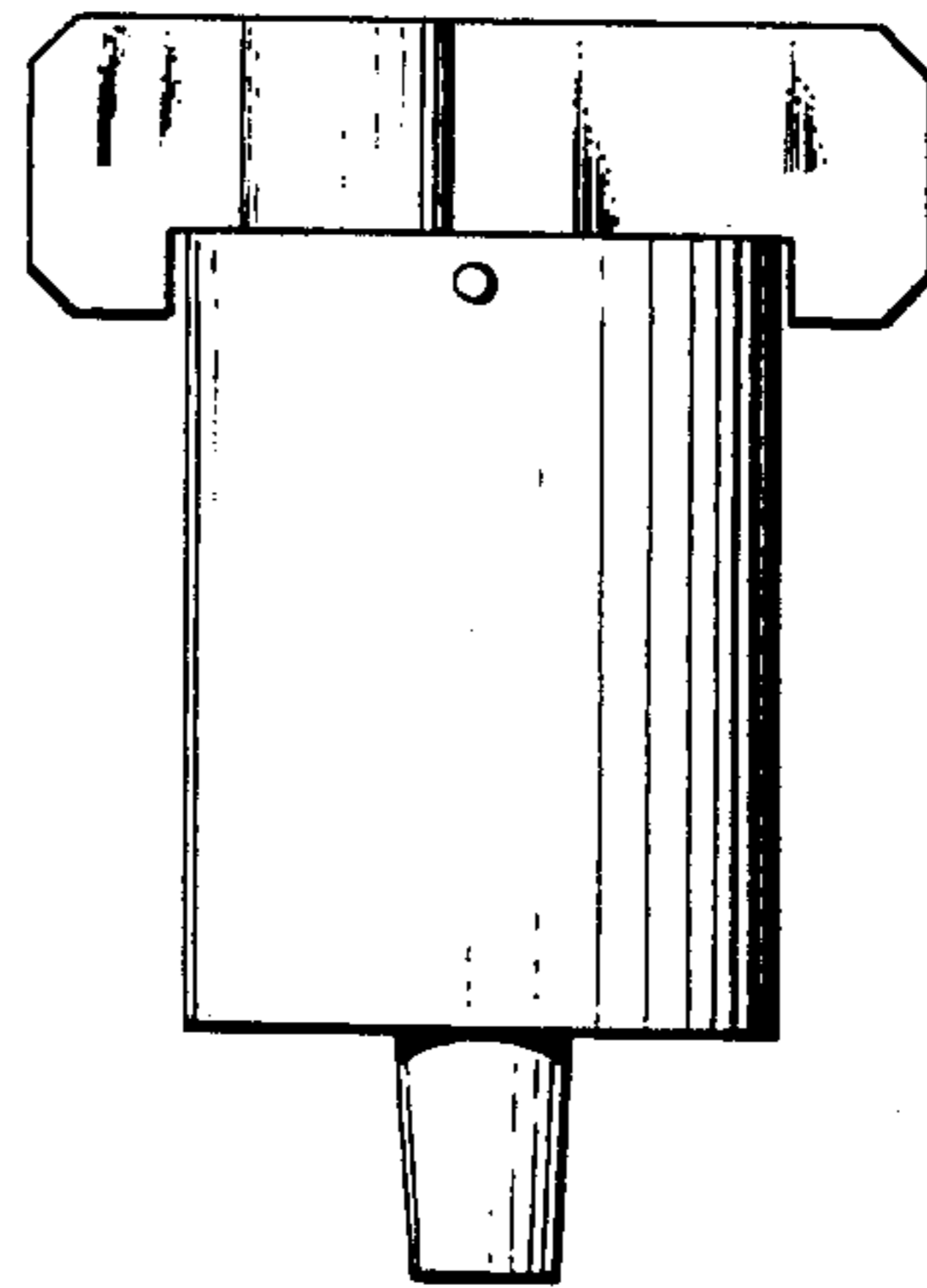


Fig. 3.

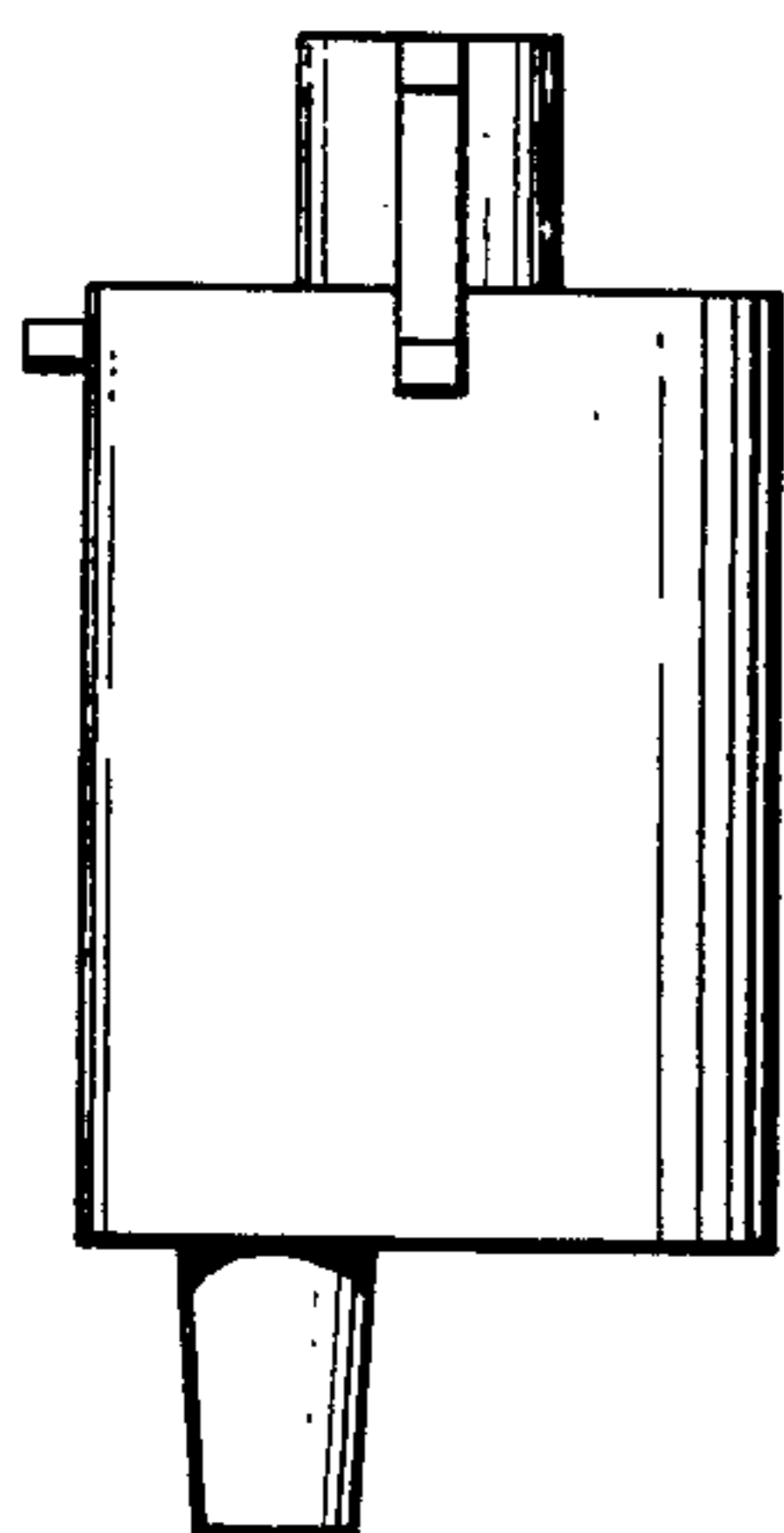


Fig. 5.

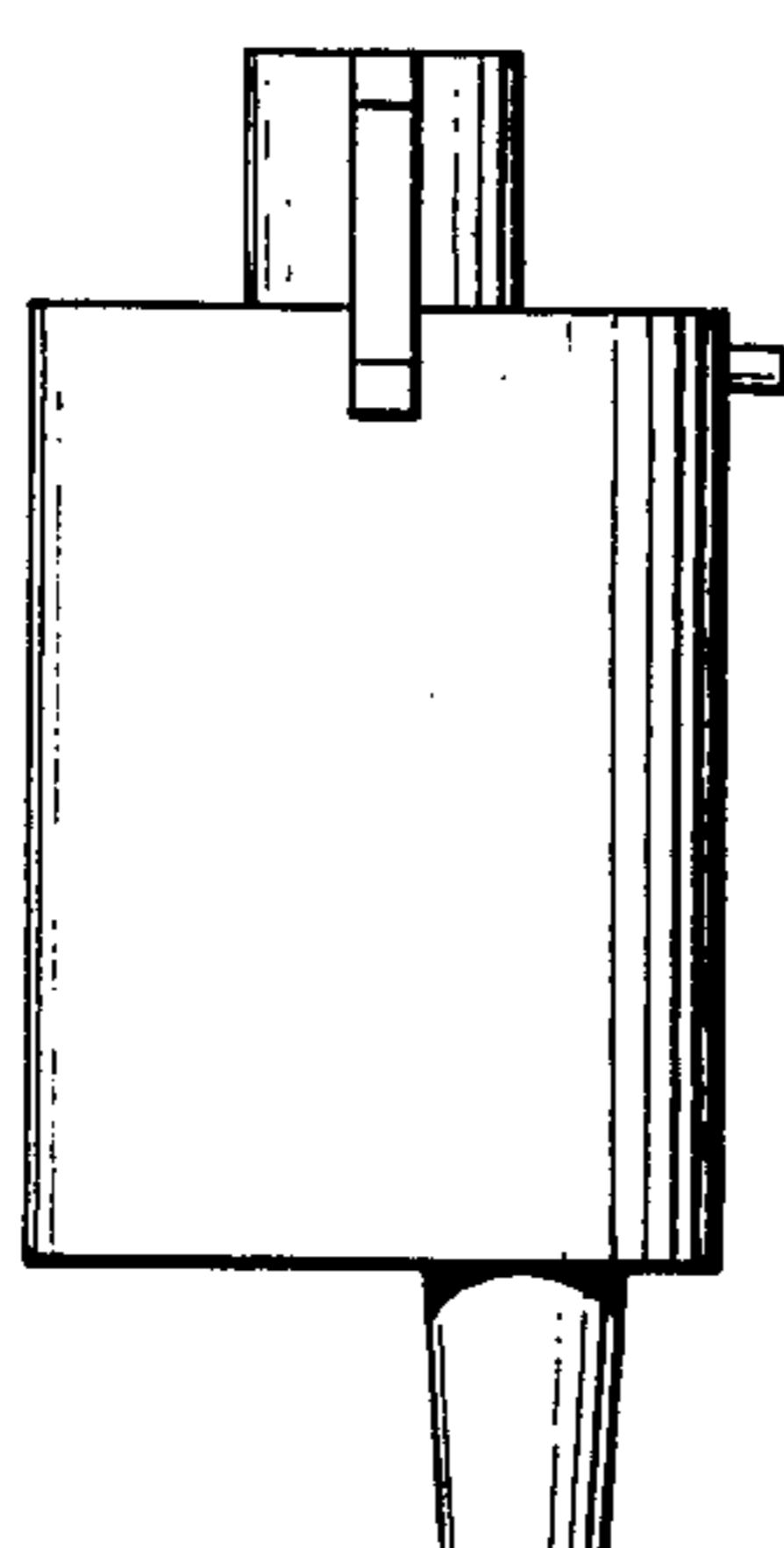


Fig. 6.

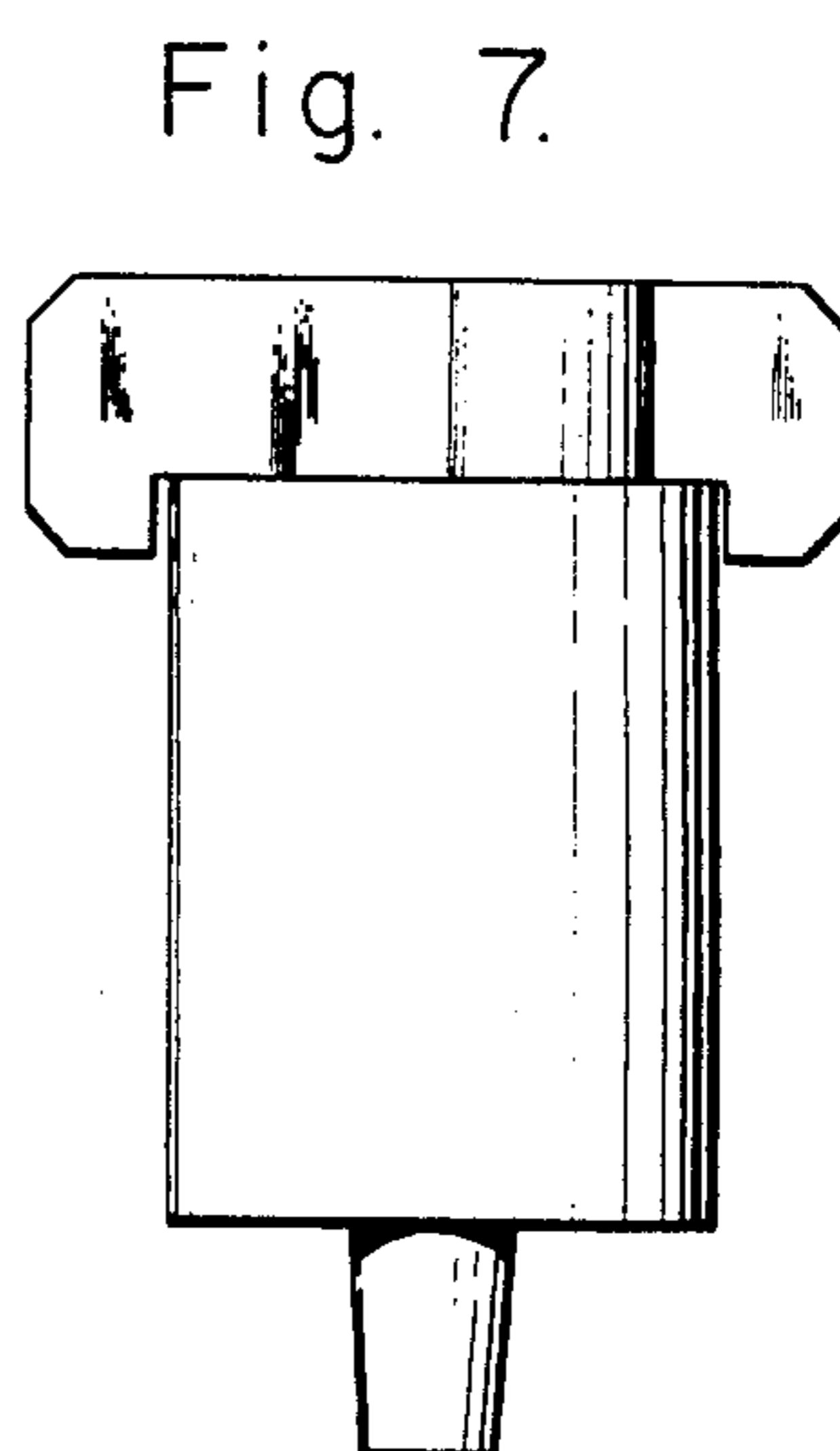


Fig. 7.