

[54] SKI SHOE ATTACHMENT FOR SKATEBOARDS

[76] Inventor: Delbert Schrishuhn, Jr., 18808 E. Petunia, Azusa, Calif. 91702

[**] Term: 14 Years

[21] Appl. No.: 923,031

[22] Filed: Jul. 10, 1978

[51] Int. Cl. D21-02

[52] U.S. Cl. D21/229; D21/224; D21/227; D21/230

[58] Field of Search D21/224, 225, 226, 227, D21/228, 229, 230, 231; D12/6, 8, 9, 10; 280/3, 7.12, 7.13, 7.15, 601, 608, 609, 11.1 BT, 87.04 A, 87.04 R

[56] . References Cited

U.S. PATENT DOCUMENTS

3,153,543	10/1964	Magyar	280/87.04 A
3,374,003	3/1968	Fulsom	280/609 X
4,083,577	4/1978	Ford	280/609
4,116,455	9/1978	Dotson et al.	280/7.12
4,194,753	3/1980	Schrishuhn, Jr.	280/7.13

Primary Examiner—Donald B. Moyer
Attorney, Agent, or Firm—Francis X. Lojacono, Sr.

[57] CLAIM

The ornamental design for a ski shoe attachment for skateboards, as shown.

DESCRIPTION

FIG. 1 is a perspective view of a ski shoe attachment for skateboards showing my new design;
FIG. 2 is a side-elevational view of the side not seen in FIG. 1;
FIG. 3 is a bottom-plan view thereof;
FIG. 4 is a front-elevational view thereof; and
FIG. 5 is a rear-elevational view thereof.

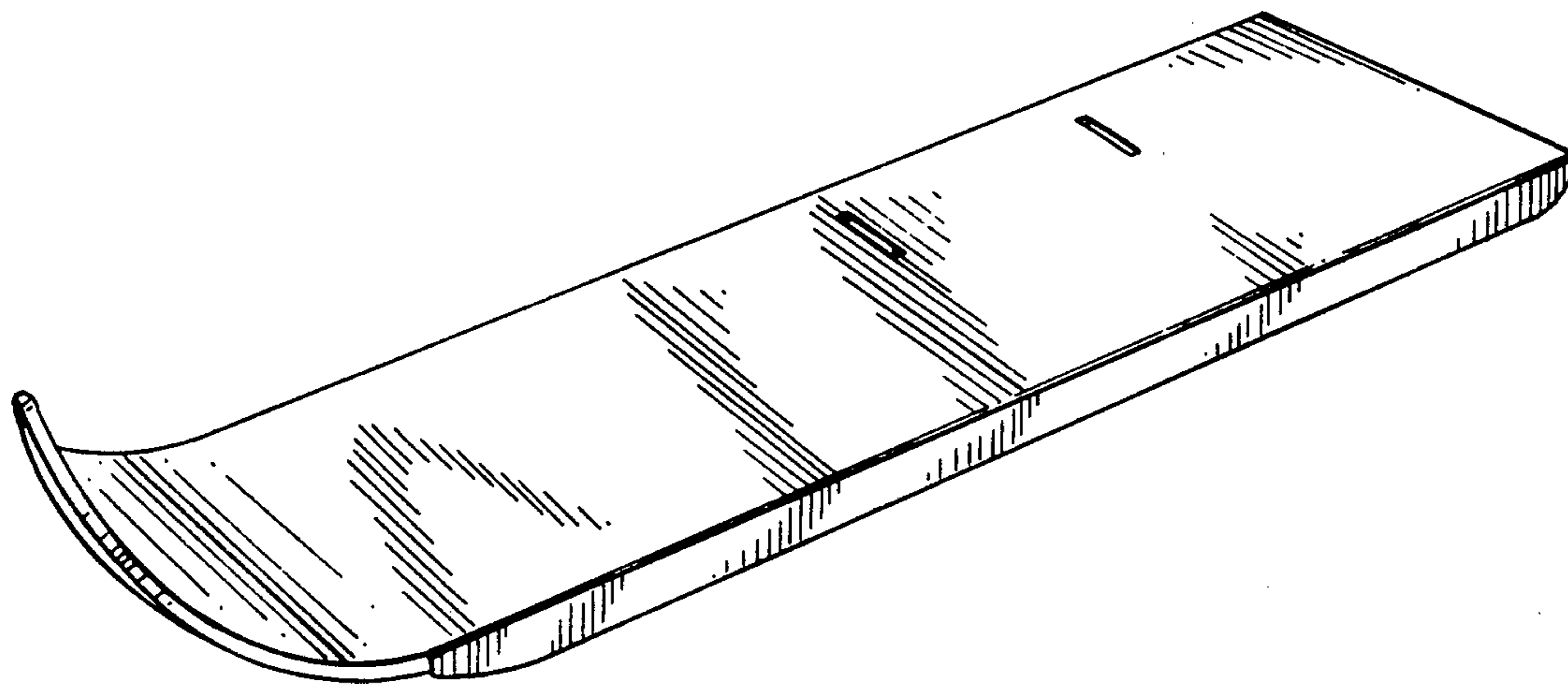


FIG. 1

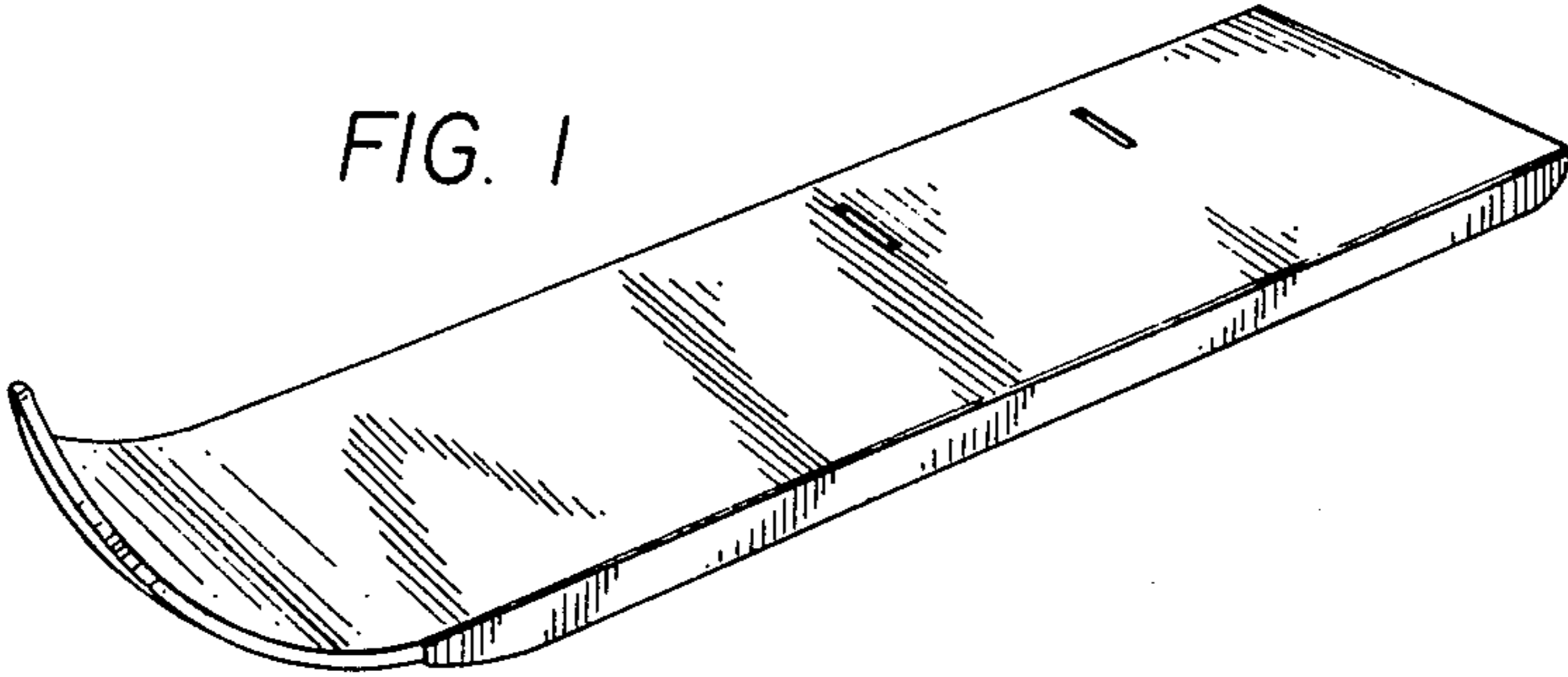


FIG. 2

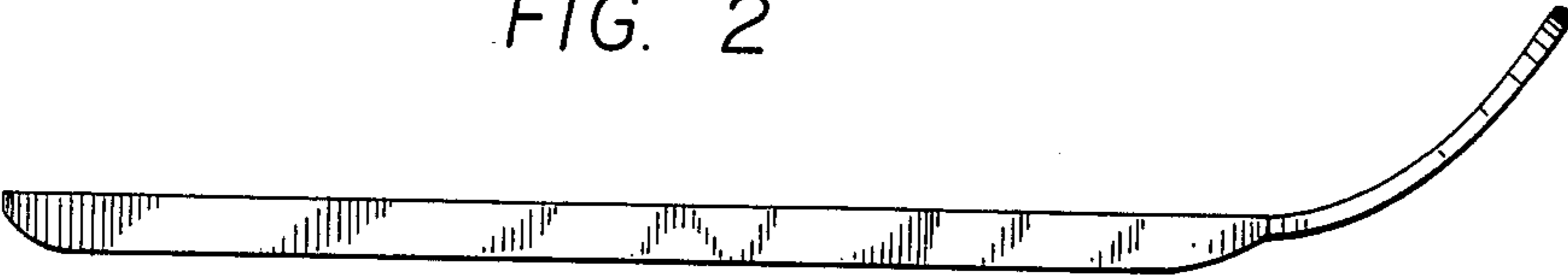


FIG. 3

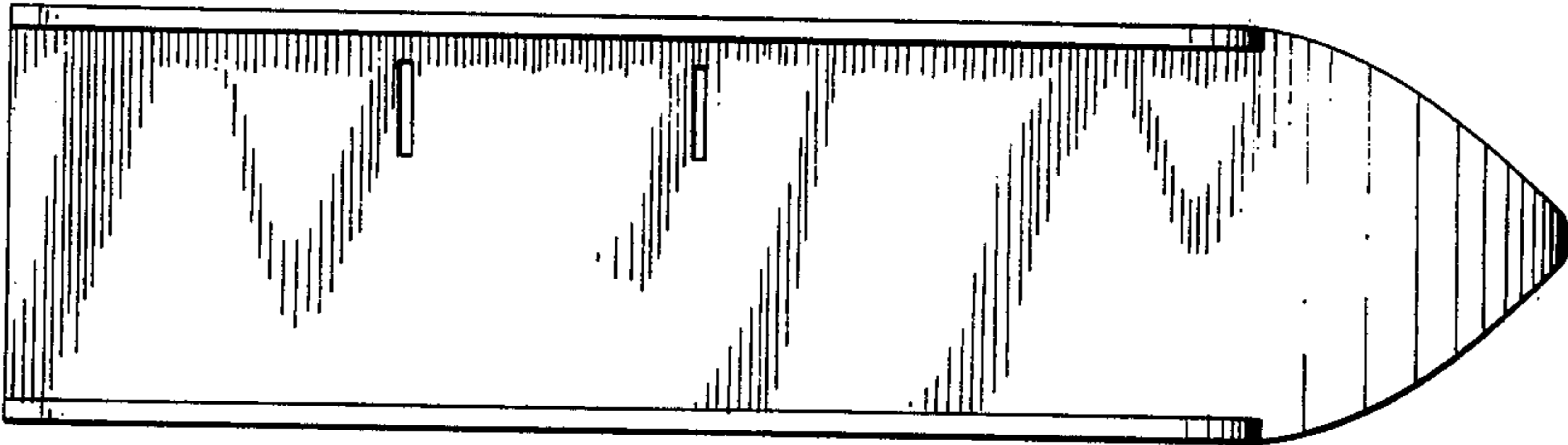


FIG. 4

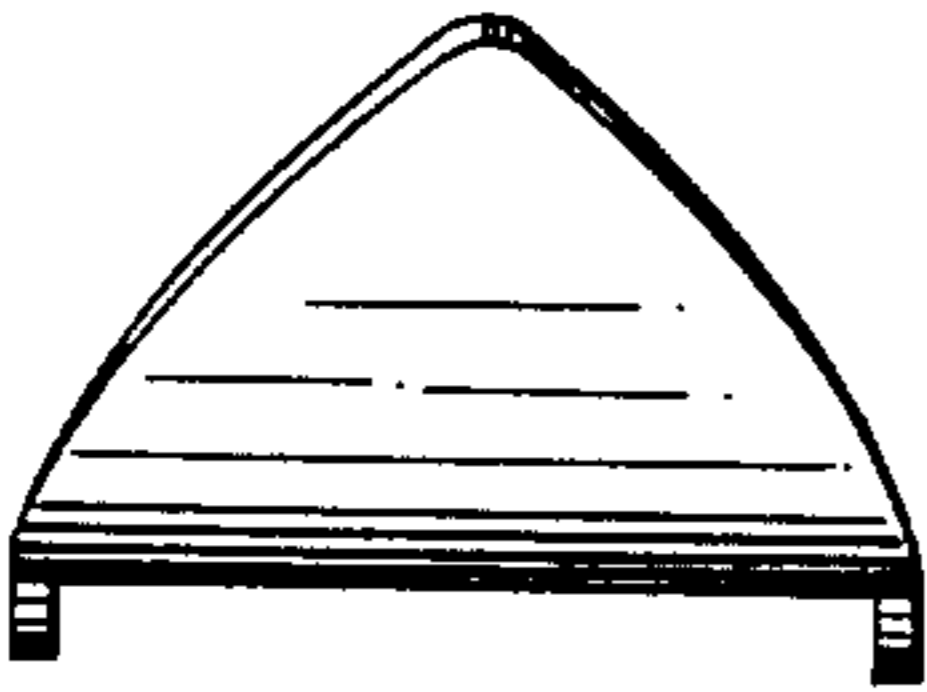


FIG. 5

