

[54] SKATEBOARD TRUCK

[56]

References Cited

PUBLICATIONS

[76] Inventor: Jack R. Chambers, 407 Mermaid St., Laguna Beach, Calif. 92561

Skateboarder Magazine, Sep., 1977, p. 15, Lazer Skateboard Trucks.

Primary Examiner—Charles A. Rademaker
Attorney, Agent, or Firm—Louis J. Knobbe

[**] Term: 14 Years

[57]

CLAIM

The ornamental design for a skateboard truck, as shown and described.

[21] Appl. No.: 855,597

DESCRIPTION

[22] Filed: Nov. 28, 1977

FIG. 1 is a bottom plan view of a skateboard truck showing my new design;

FIG. 2 is a front elevational view thereof;

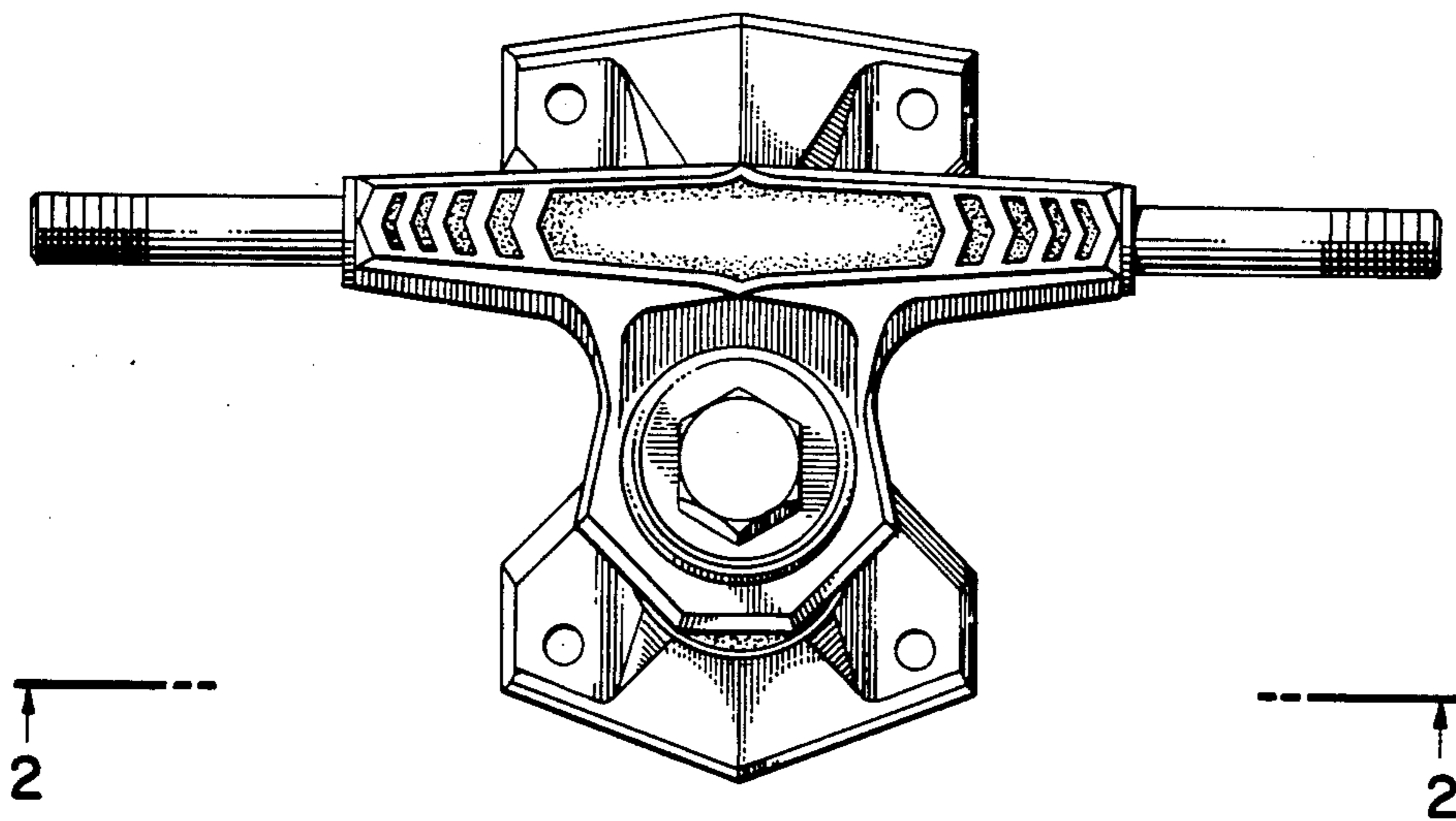
FIG. 3 is a rear elevational view thereof;

FIG. 4 is a right side elevational view thereof, the side opposite being substantially a mirror image;

FIG. 5 is a top plan view thereof; and,

FIG. 6 is a bottom plan view of a modified form of the design shown in FIGS. 1-6.

[51] Int. Cl. D21-02
[52] U.S. Cl. D21/227; D21/226
[58] Field of Search D34/14 C, 15 AJ;
280/11.27, 11.28, 87.04 A; D12/112; D21/226,
227



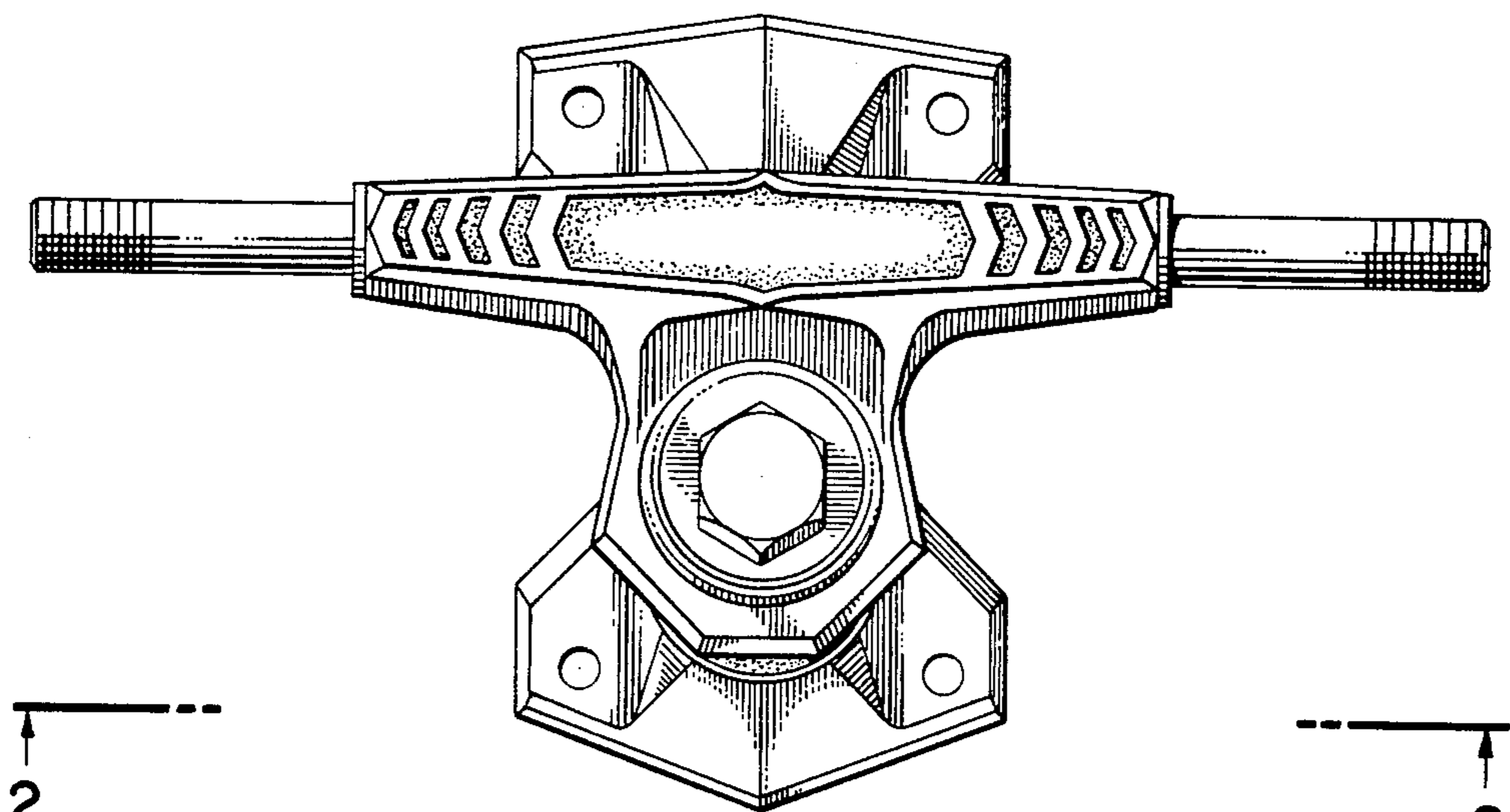


FIG. 1.

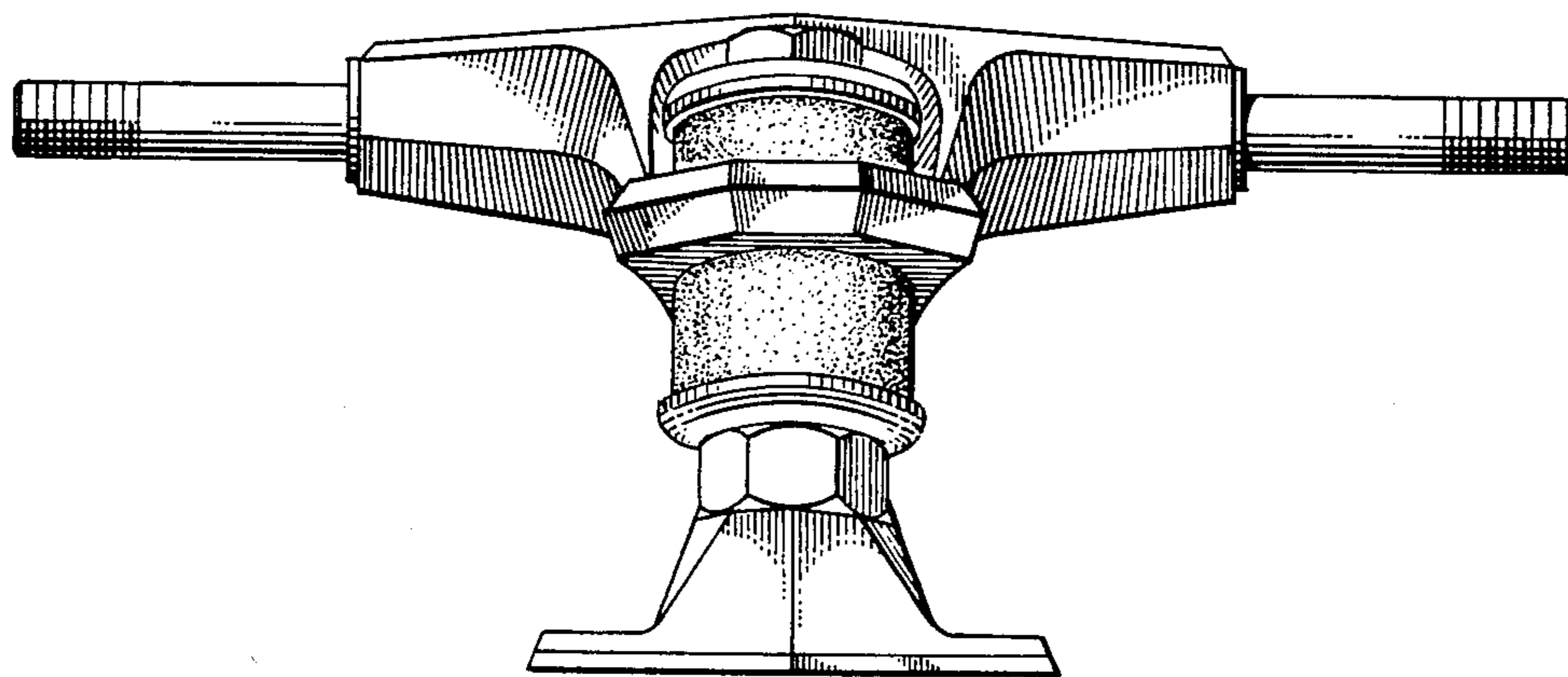


FIG. 2.

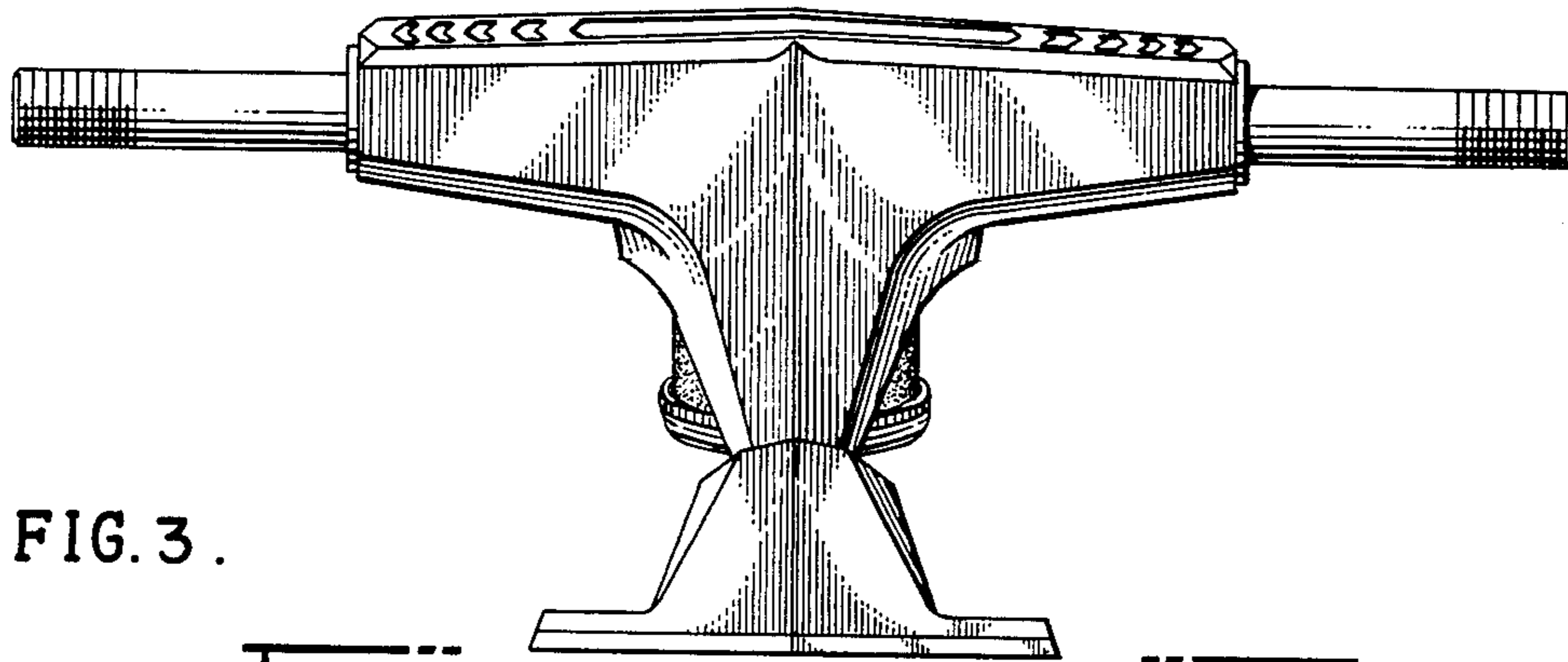


FIG. 3.

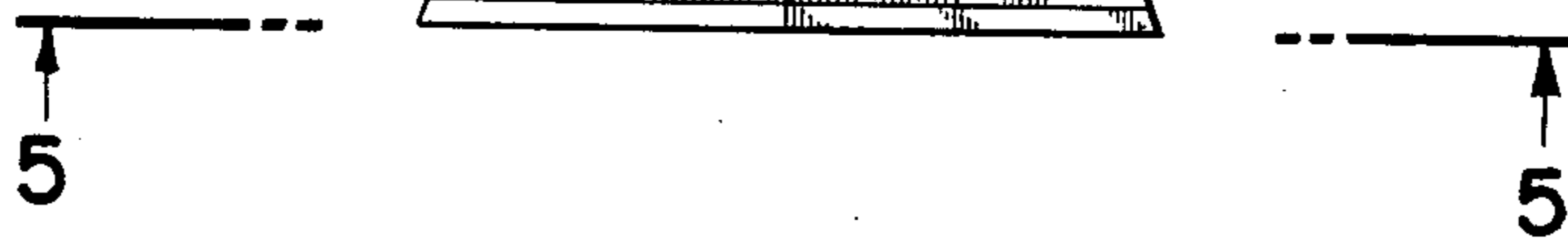


FIG. 4.

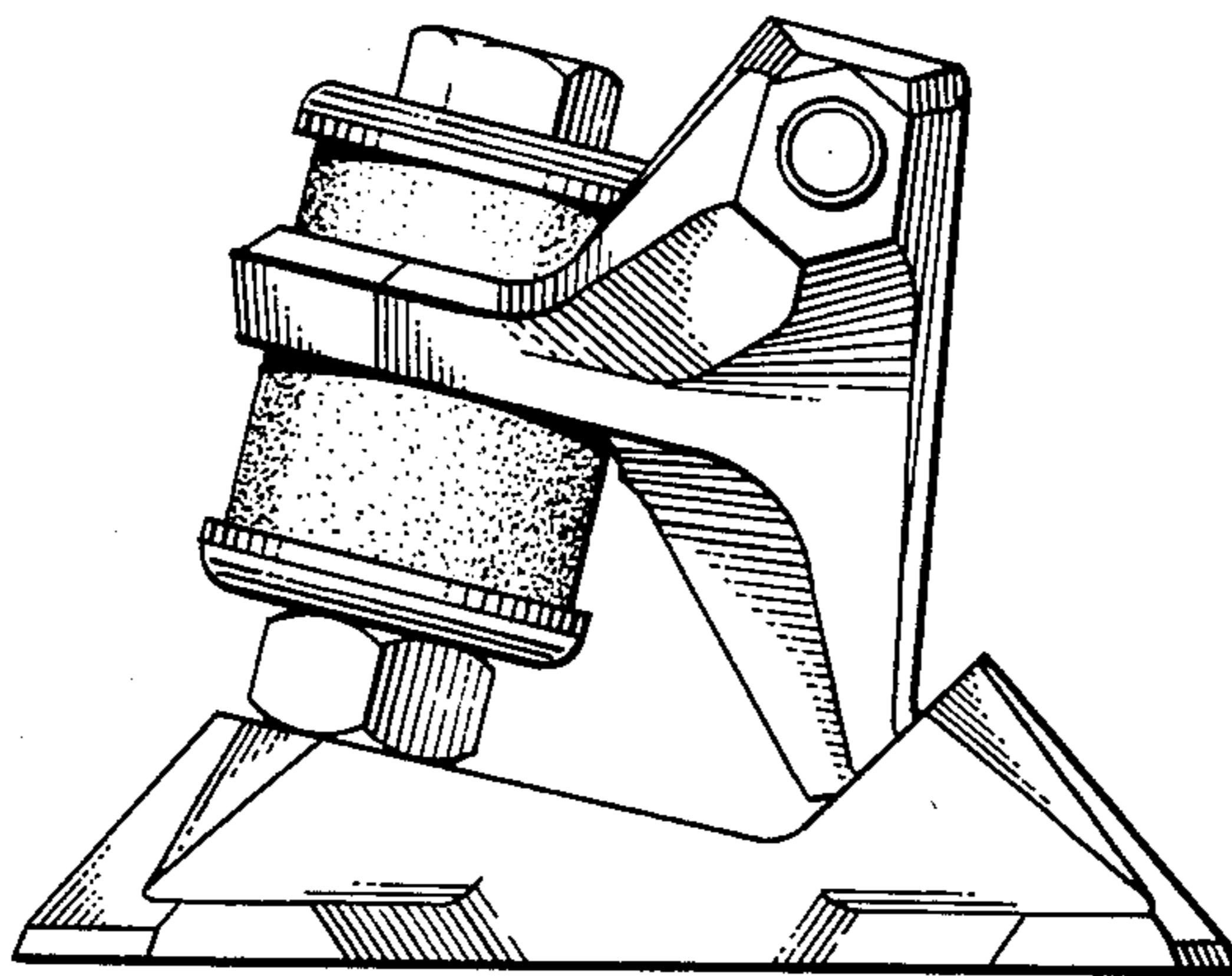
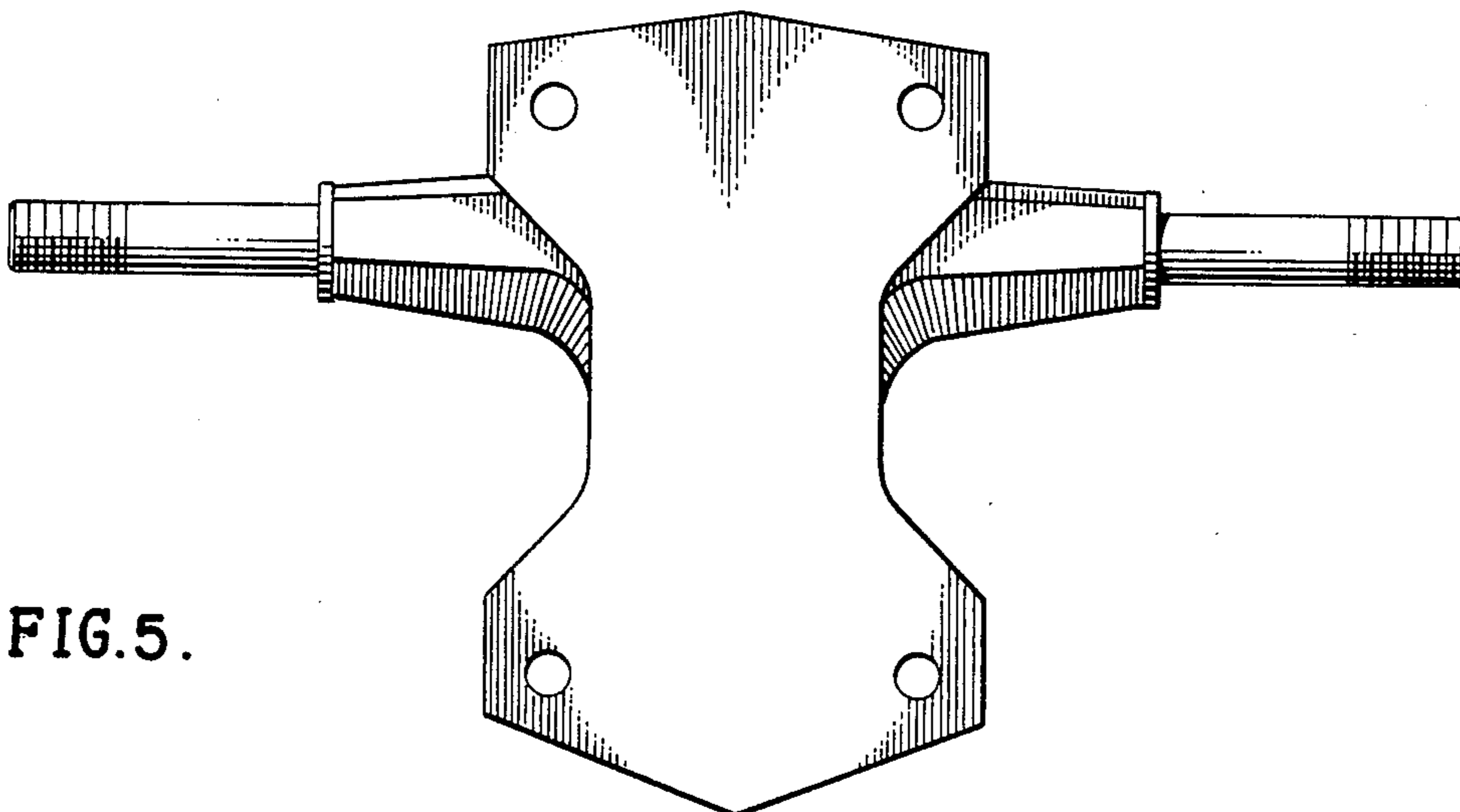


FIG. 5.



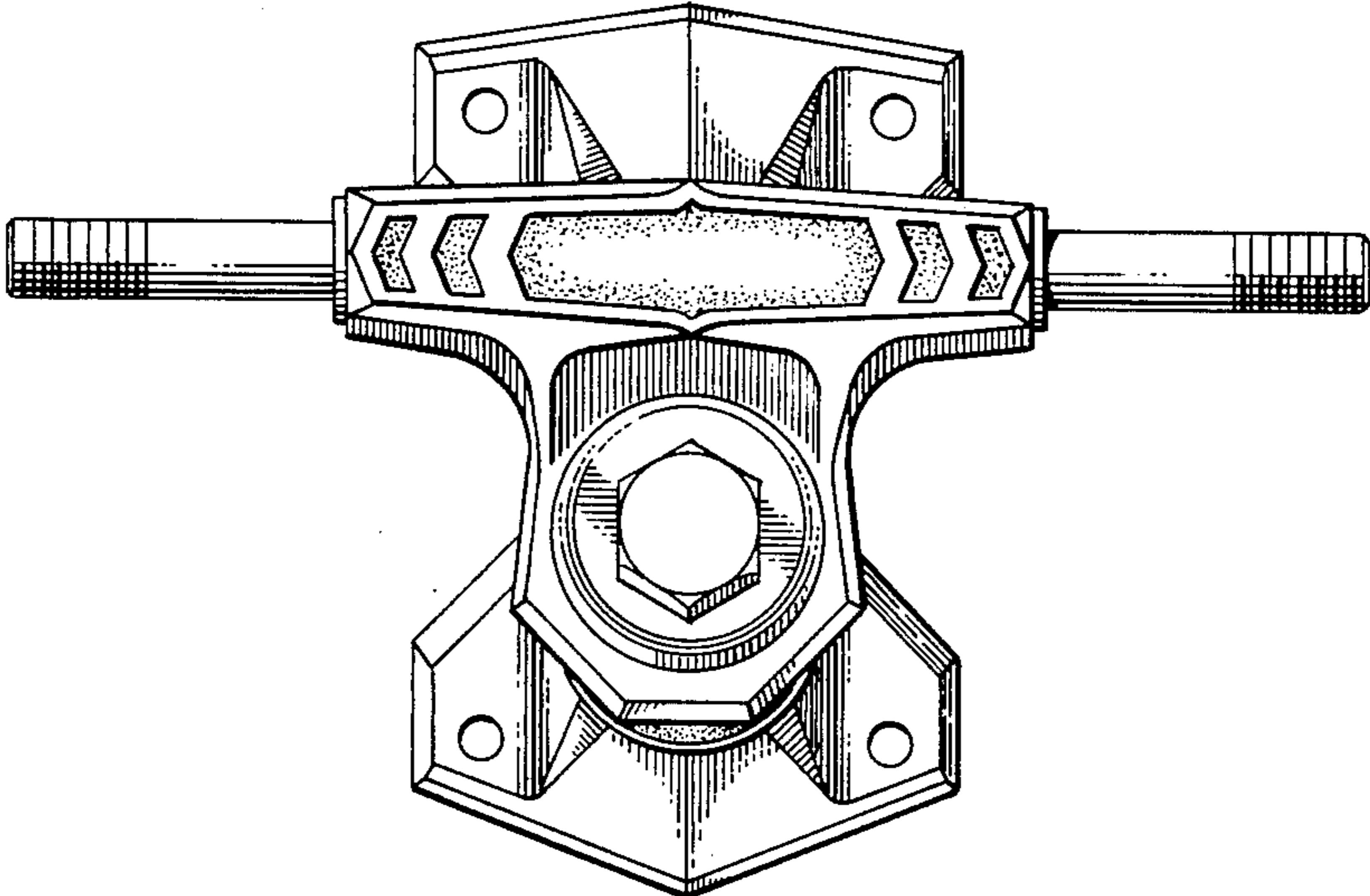


FIG.6.