

[54] TOY VEHICLE

[75] Inventor: Tetsuo Okado, Tokyo, Japan  
[73] Assignee: Tomy Kogyo Co., Inc., Tokyo, Japan  
[\*\*] Term: 14 Years  
[21] Appl. No.: 937,609  
[22] Filed: Aug. 28, 1978

[51] Int. Cl. .... D21-01  
[52] U.S. Cl. .... D21/134  
[58] Field of Search ..... D21/78, 79, 128, 134,  
D21/135, 136, 137, 140; 46/201, 206, 207, 210,  
222, 251; D12/90, 87, 91, 92, 99; 296/28 R

[56] References Cited  
U.S. PATENT DOCUMENTS

D. 219,666 1/1971 Gilford ..... D21/140  
D. 238,595 1/1976 Goldfarb et al. .... D21/136

D.246,775 12/1977 Brubaker ..... D21/136

OTHER PUBLICATIONS

Wards Xmas Catalog, 1977, p. 356, Item #1, Toy Vehicle.  
*Primary Examiner*—Charles A. Rademaker  
*Attorney, Agent, or Firm*—James H. Halsey, Jr.

[57] CLAIM

The ornamental design for a toy vehicle, as shown and described.

DESCRIPTION

FIG. 1 is a front elevational view of a toy vehicle showing my new design;  
FIG. 2 is a rear elevational view thereof;  
FIG. 3 is a right side elevational view thereof; the left side elevation being a mirror image thereof;  
FIG. 4 is a top plan view thereof; and  
FIG. 5 is a bottom plan view thereof.

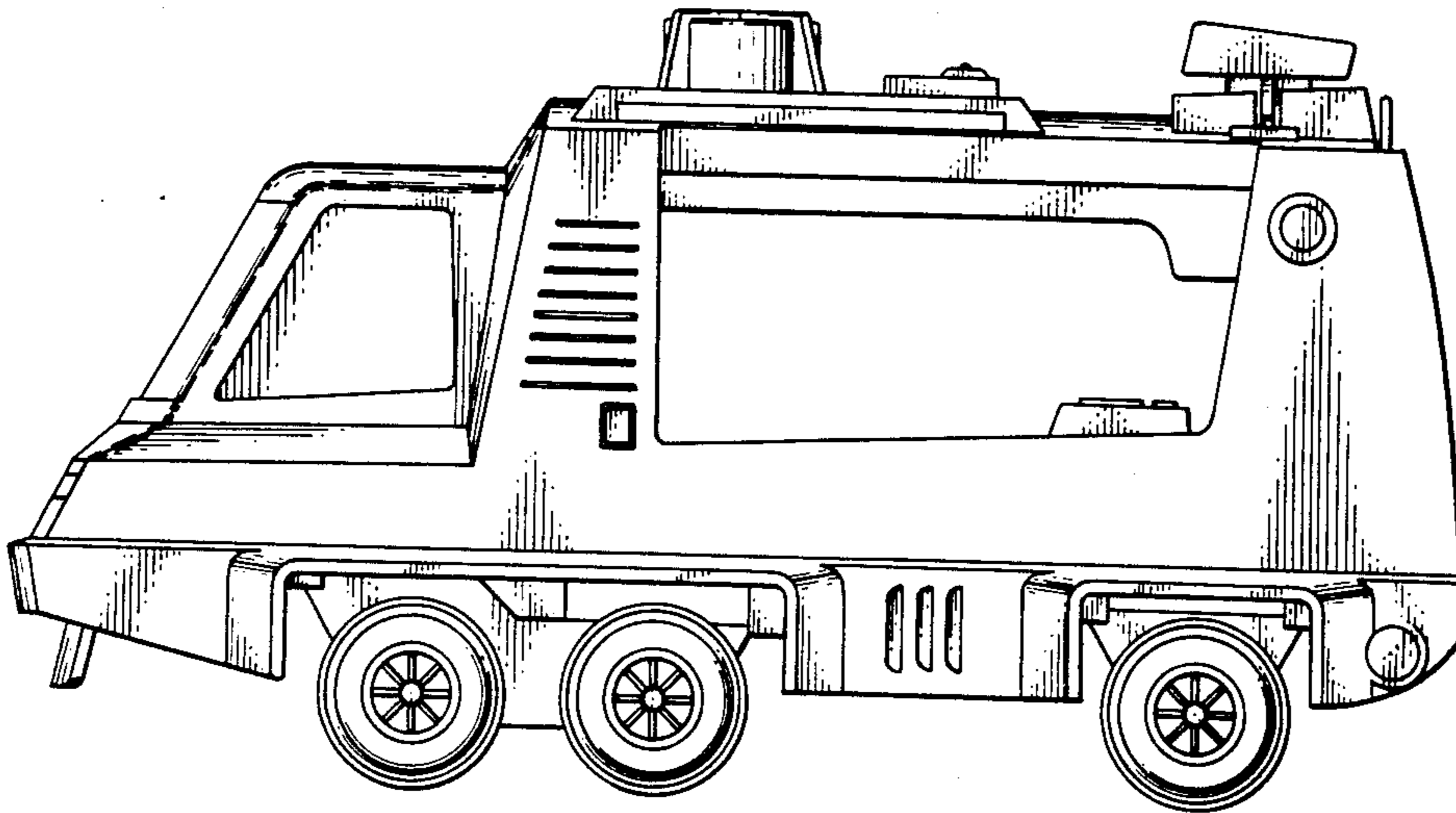


FIG. 1.

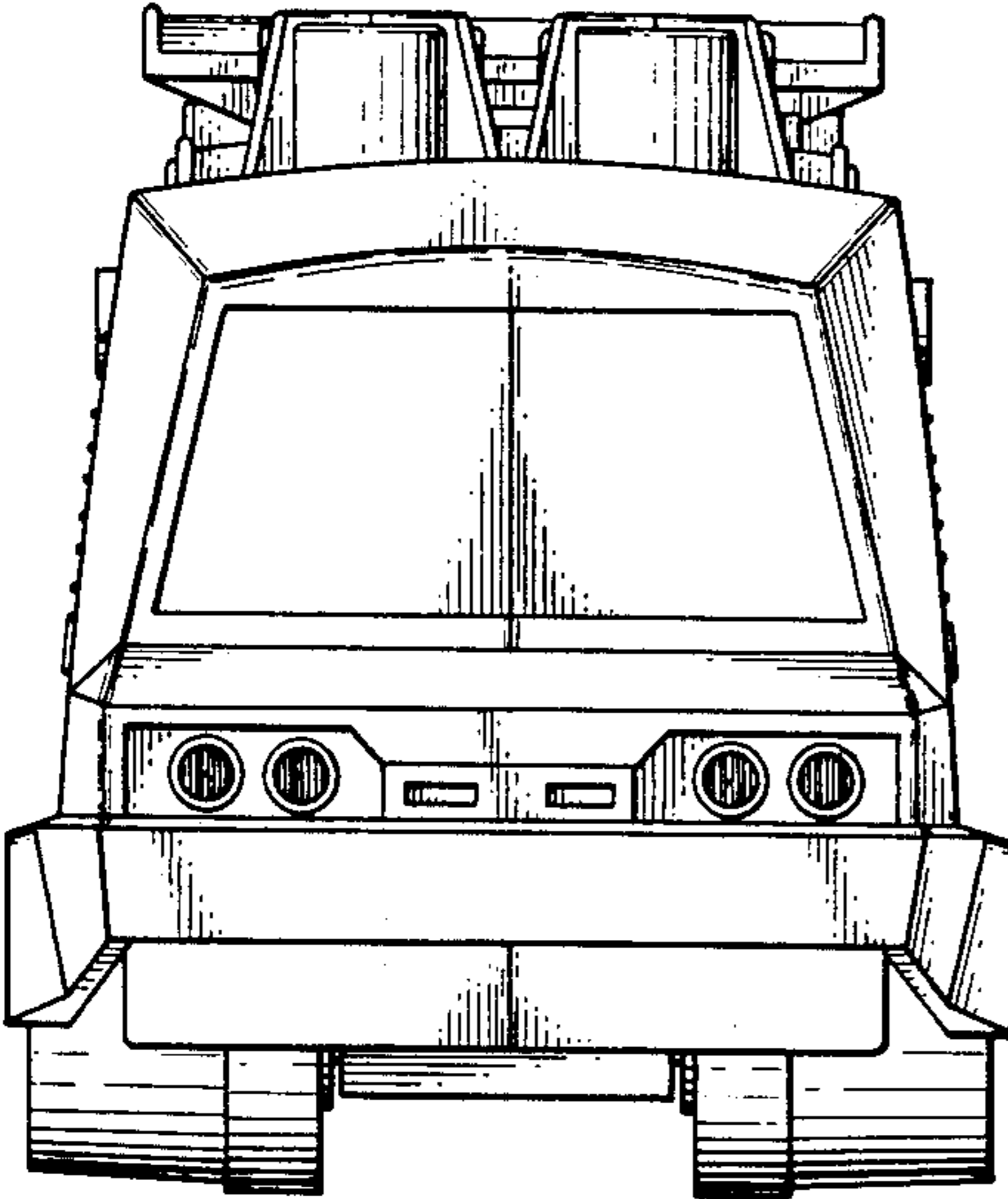


FIG. 2.

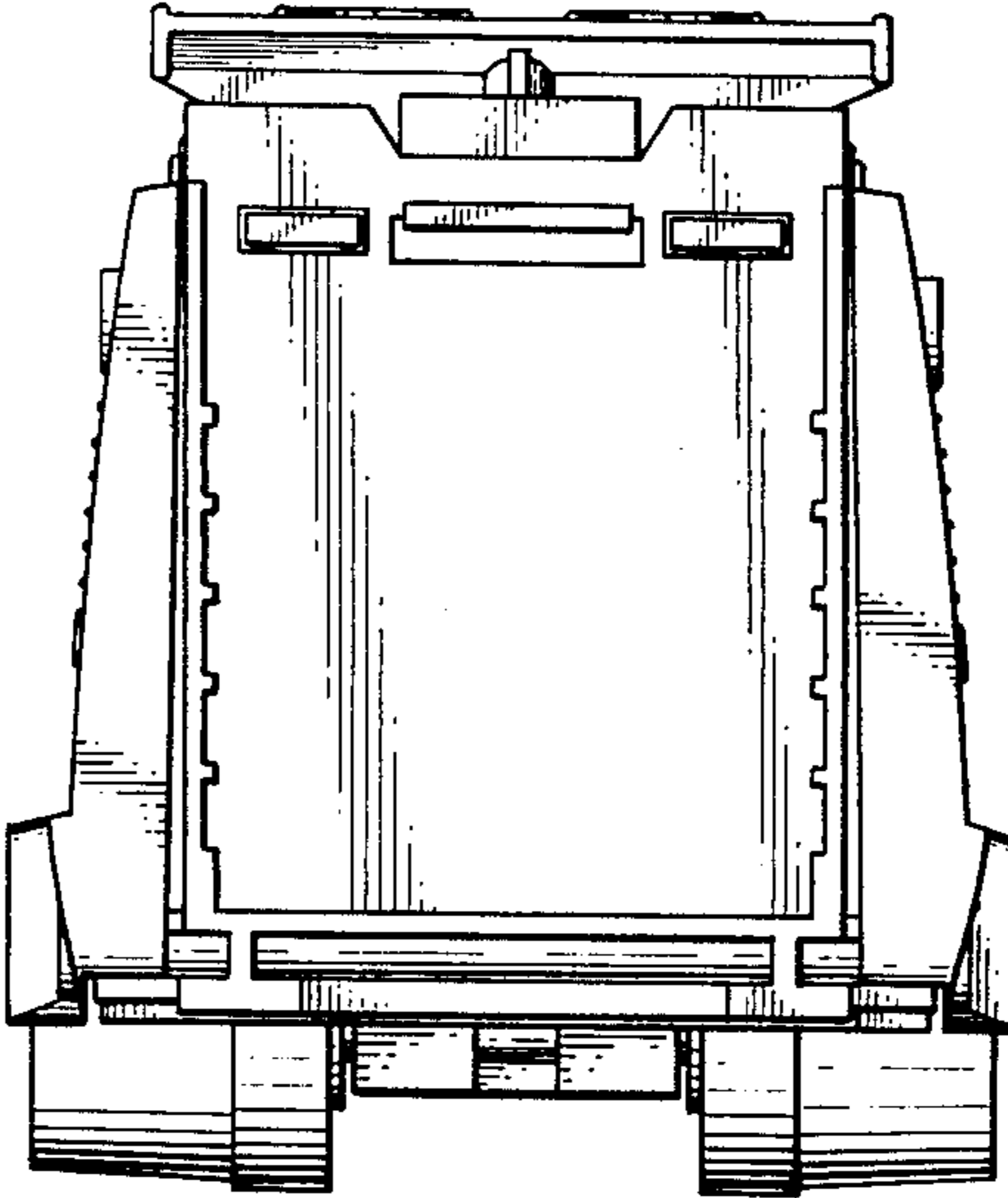


FIG. 3.

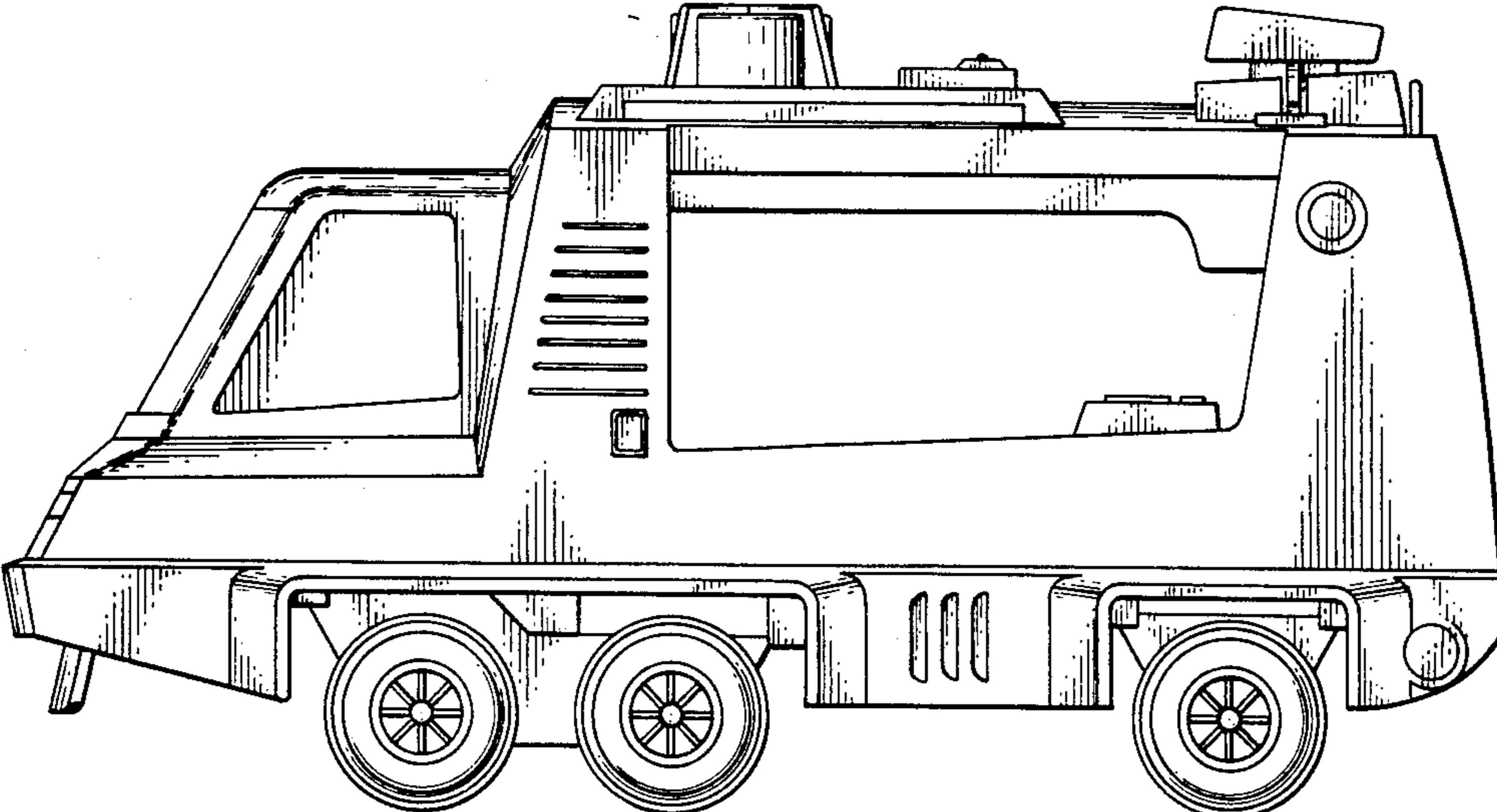


FIG. 4.

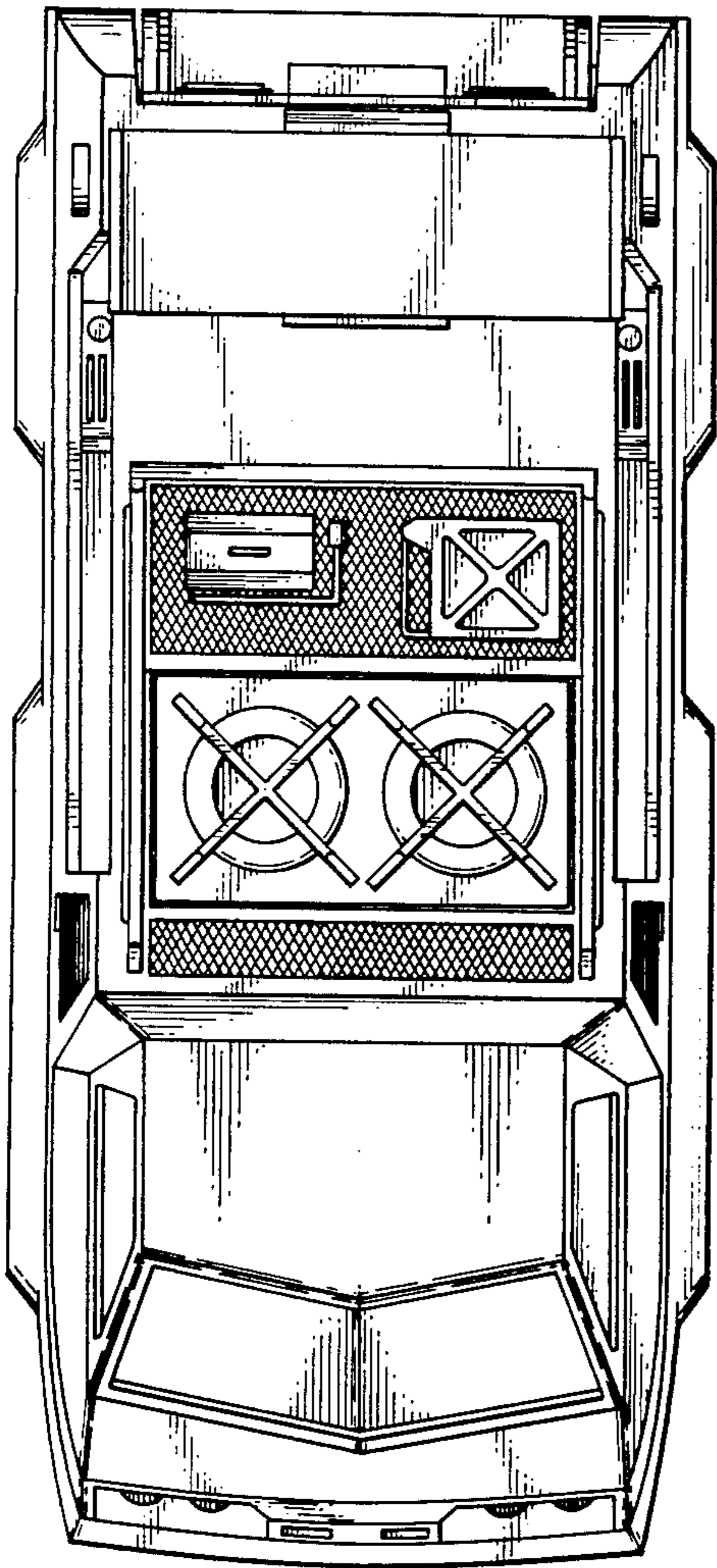


FIG. 5.

