

[54] SIGNPOST WITH PROFILED CONFIGURATION

[75] Inventor: Saemund Stenersen, Kongsvinger, Norway

[73] Assignee: Norsk Hydro A.S., Oslo, Norway

[**] Term: 14 Years

[21] Appl. No.: 850,379

[22] Filed: Nov. 10, 1977

[30] Foreign Application Priority Data

May 12, 1977 [NO] Norway 7758313

[51] Int. Cl. D20-03; D25-01

[52] U.S. Cl. D20/41; D25/75

[58] Field of Search D25/73-78; D20/10, 41, 43, 44; 40/618, 620, 622, 606-608, 611, 10 R, 11, 16, 7; 52/720, 737, 738, 739

[56] References Cited

U.S. PATENT DOCUMENTS

D. 231,632	5/1974	Minns	D25/75
D. 244,942	7/1977	Bobrovniczky	D25/75
308,826	12/1884	Butz	D25/75 X
3,229,398	1/1966	Kopatich	40/618
4,060,920	12/1977	Edwards	40/618

Primary Examiner—Catherine E. Kemper
Attorney, Agent, or Firm—John E. Lind

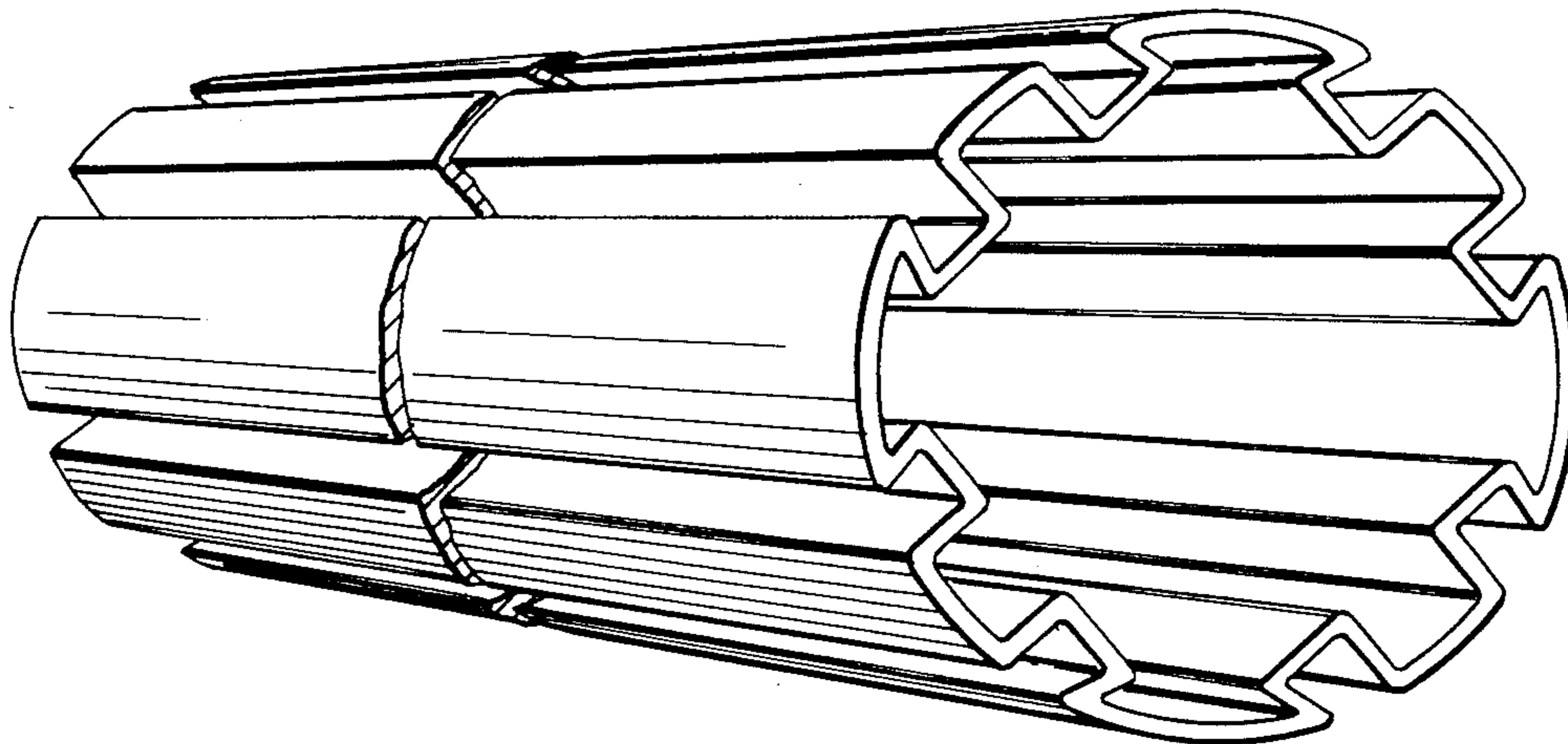
[57] CLAIM

The ornamental design for signpost with profiled configuration, substantially as shown and described.

DESCRIPTION

FIG. 1 is a perspective view of a signpost with profiled configuration showing my new design; FIG. 2 is an end elevation view thereof, shown with a signpost bracket and sign in broken lines for illustrative purposes only.

The signpost has been shown fragmentarily in FIG. 1 to indicate indeterminate length.



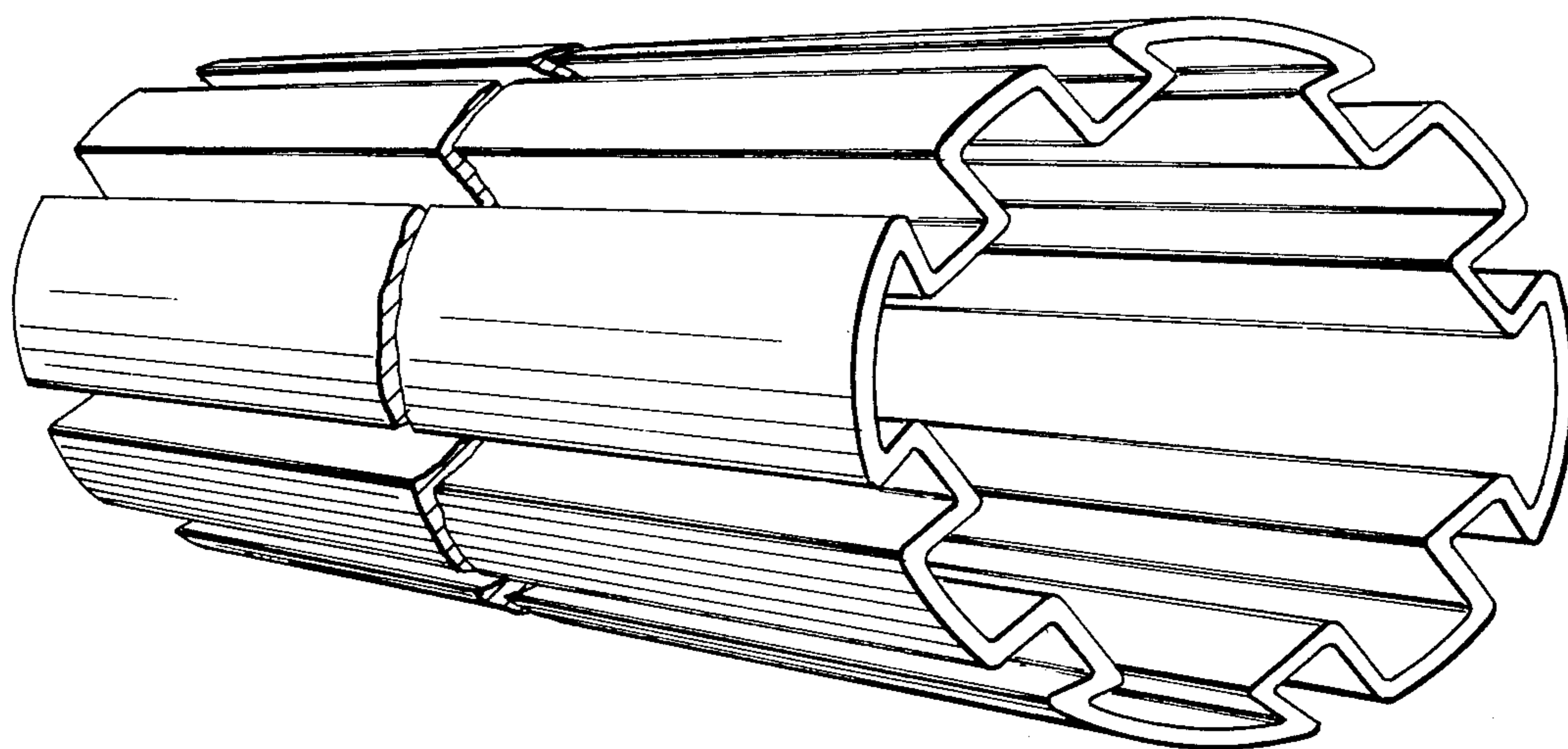


FIG. 1

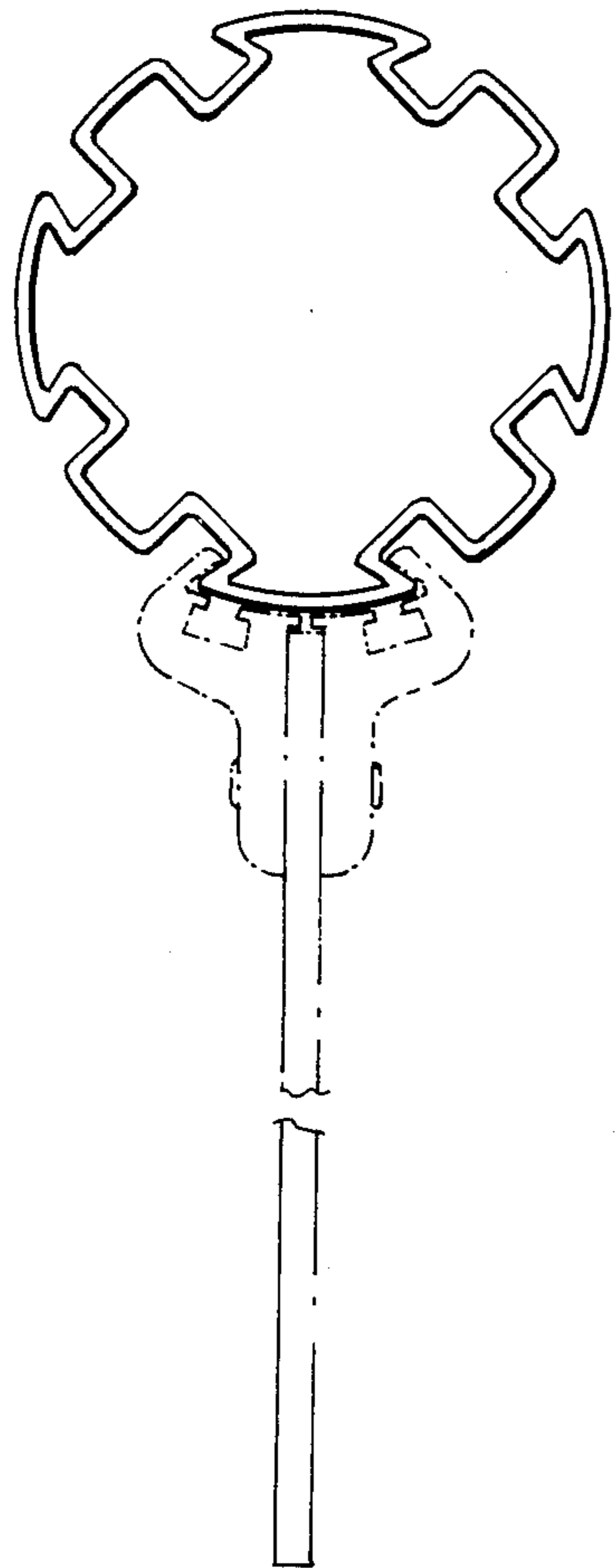


FIG. 2