

[54] MACHINE TOOL

[75] Inventors: Earl R. Lohneis; Frank Zankl, both of Milwaukee; Clifford B. Stevens, Fox Point; Thomas J. Green, West Bend, all of Wis.

[73] Assignee: Kearney & Trecker Corporation, West Allis, Wis.

[**] Term: 14 Years

[21] Appl. No.: 706,911

[22] Filed: Jul. 19, 1976

[51] Int. Cl. D15-09

[52] U.S. Cl. D15/127

[58] Field of Search D15/127, 131, 132

[56] References Cited
PUBLICATIONS

American Machinist, 11/75, p. 152, Work Center Machine, top of page.
American Machinist, 4/15/75, p. 93, Machining Center, top of page.

Primary Examiner—James M. Gandy
Attorney, Agent, or Firm—Cyril M. Hajewski

[57] CLAIM

The ornamental design for a machine tool, as shown and described.

DESCRIPTION

FIG. 1 is a perspective view of a machine tool showing our new design;
FIG. 2 is a front elevational view thereof;
FIG. 3 is a left side elevational view thereof;
FIG. 4 is a right side elevational view thereof;
FIG. 5 is a top plan view thereof; and
FIG. 6 is a rear elevational view thereof.

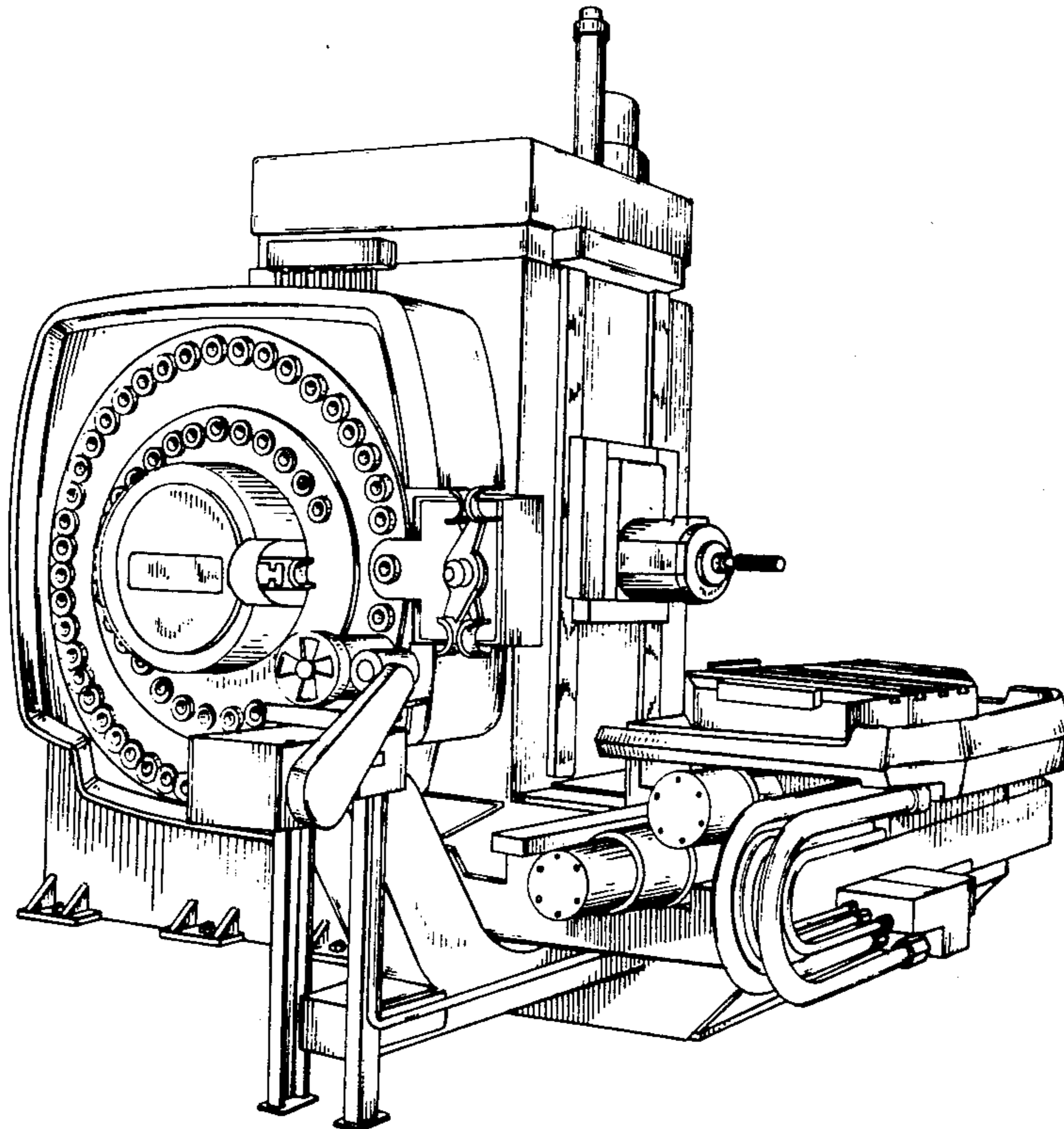
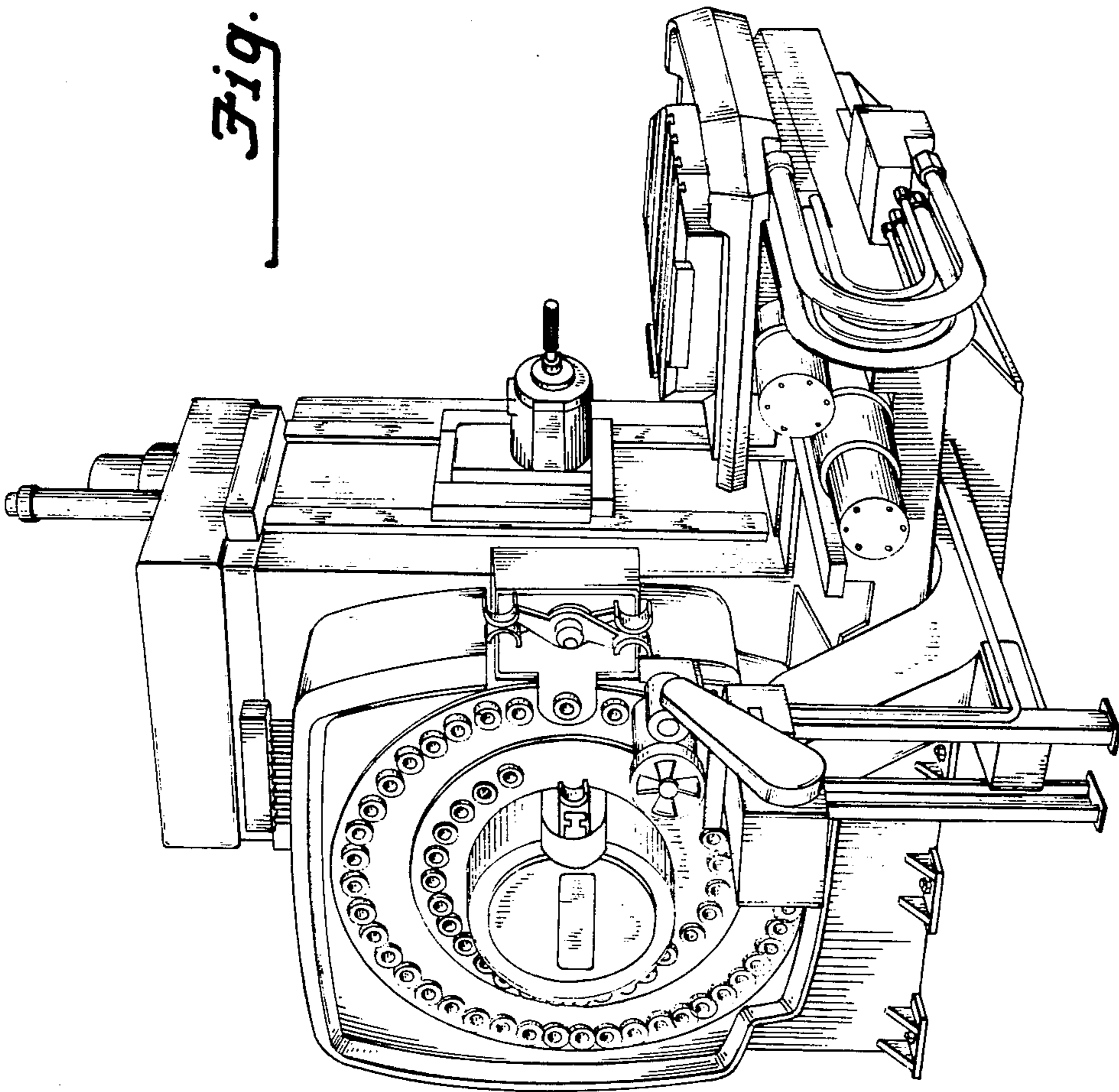


Fig. 1



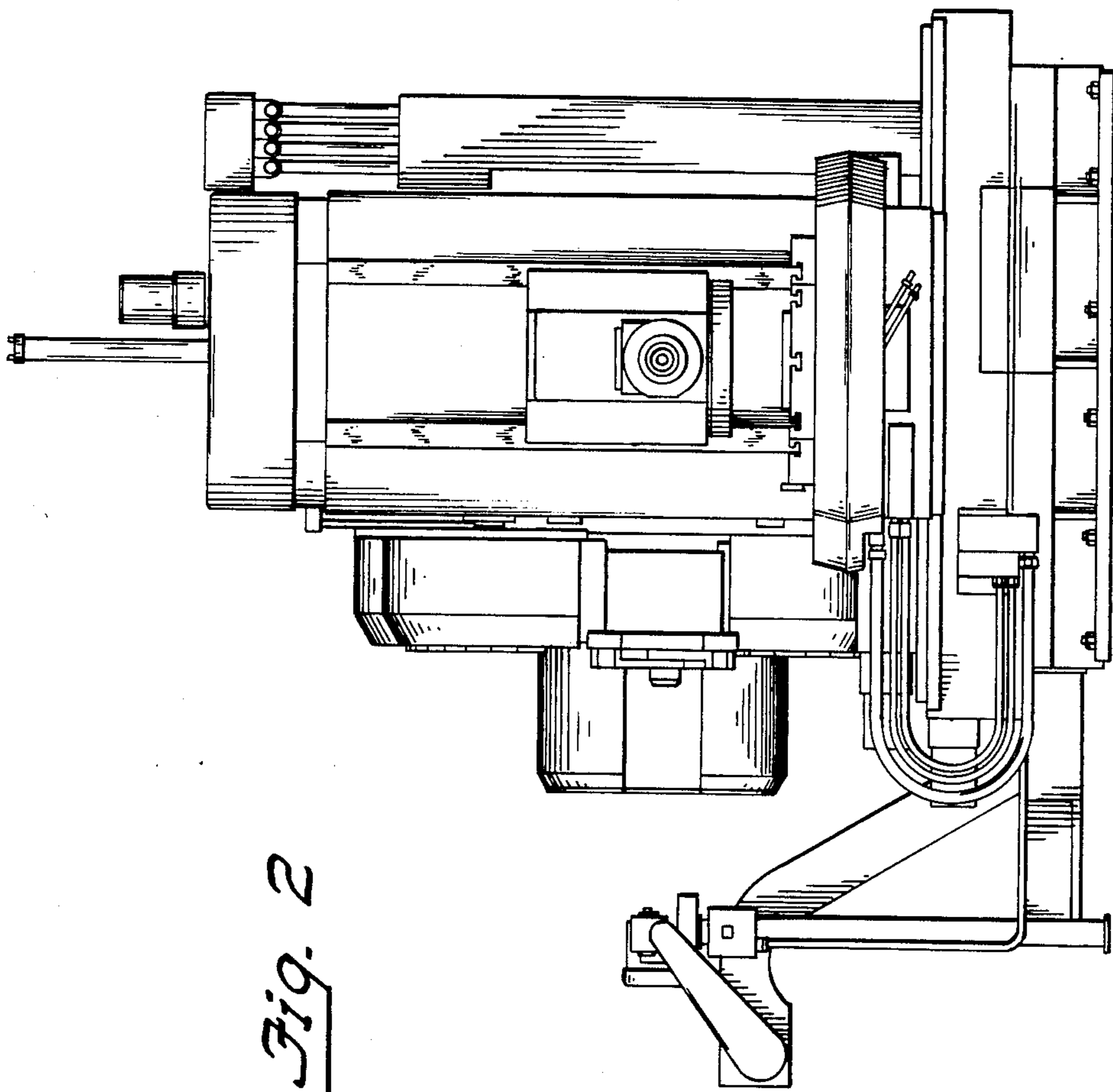
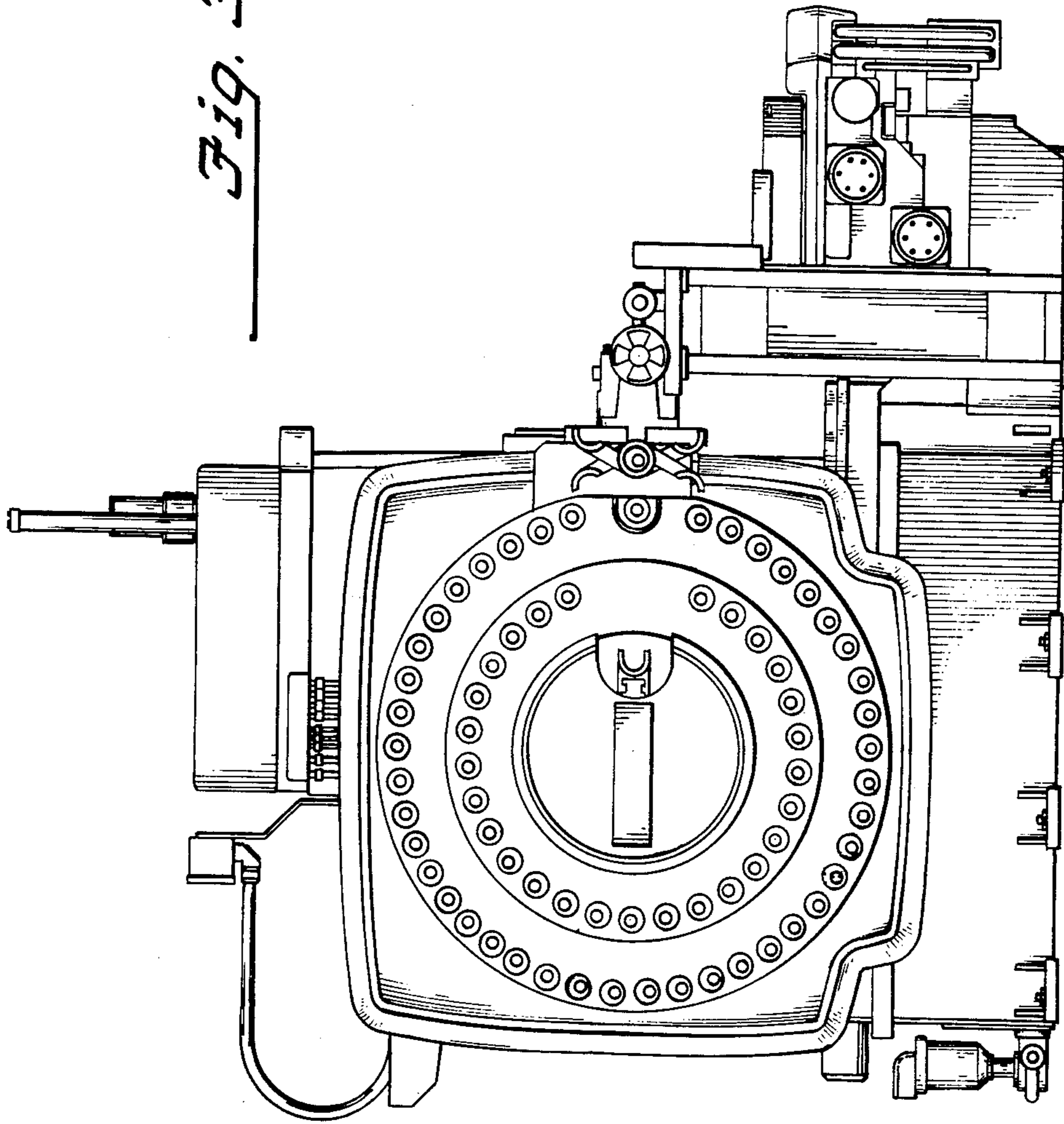


Fig. 2

Fig. 3



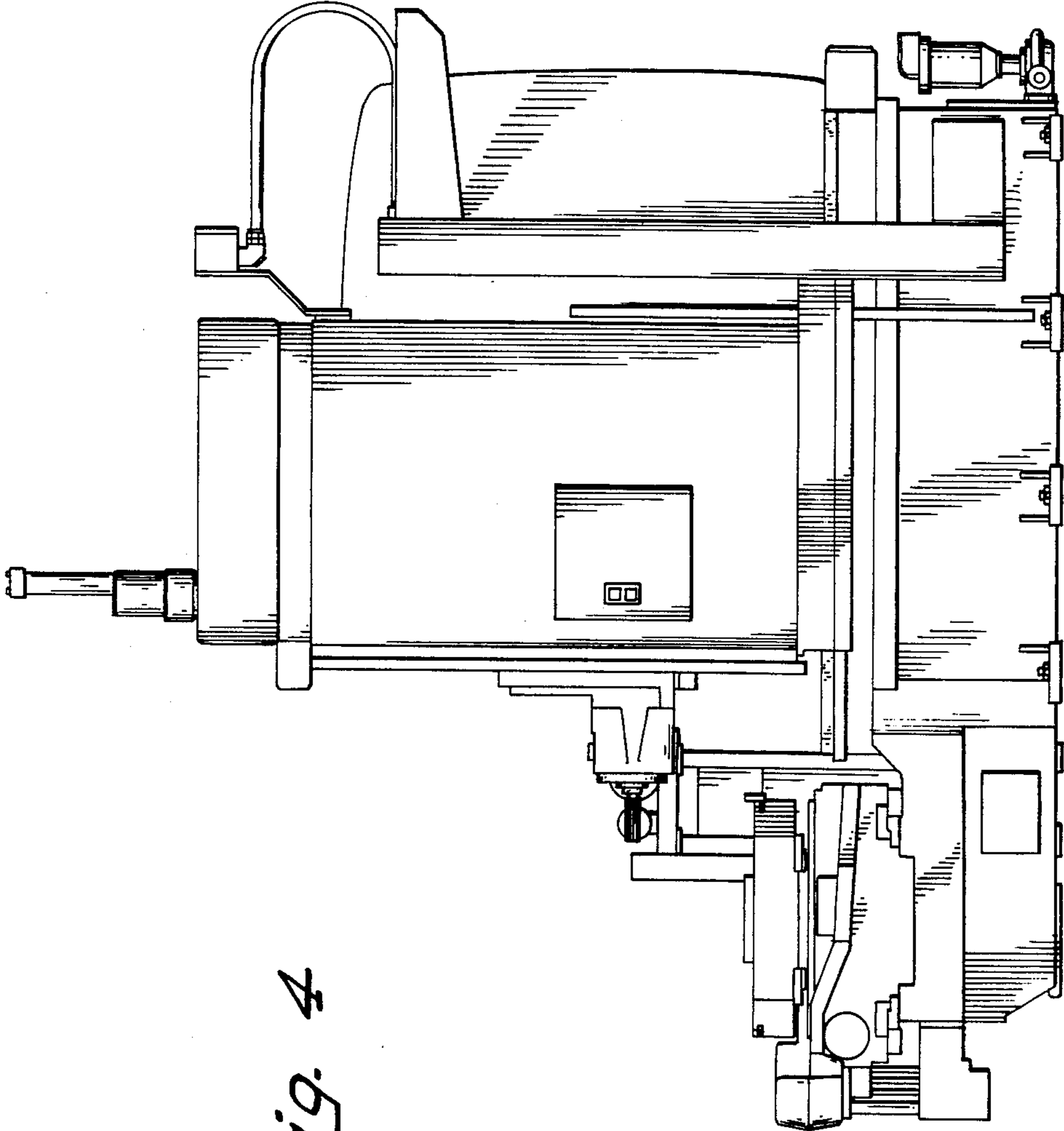


Fig. 4

Fig. 5

