

[54] QUILTING FRAME

[76] Inventors: Orlan S. Nielsen, Box 101, Parker, Id. 83438; Lyle D. Nielsen, Box 555; Lyle J. Nielsen, 105 W. 3rd North, both of St. Anthony, Id. 83445

[**] Term: 14 Years

[21] Appl. No.: 8,842

[22] Filed: Jan. 31, 1979

[51] Int. Cl. D15-06

[52] U.S. Cl. D15/66

[58] Field of Search D15/66, 67, 78; D3/18; 38/102.1, 102.91

[56]

References Cited

U.S. PATENT DOCUMENTS

1,636,681	7/1927	Carbone	38/102.91
2,832,171	4/1958	Batey	38/102.91
3,922,804	12/1975	Batey	38/102.91

Primary Examiner—Joel Stearman
Assistant Examiner—Carmen H. Vales
Attorney, Agent, or Firm—Harvey B. Jacobson

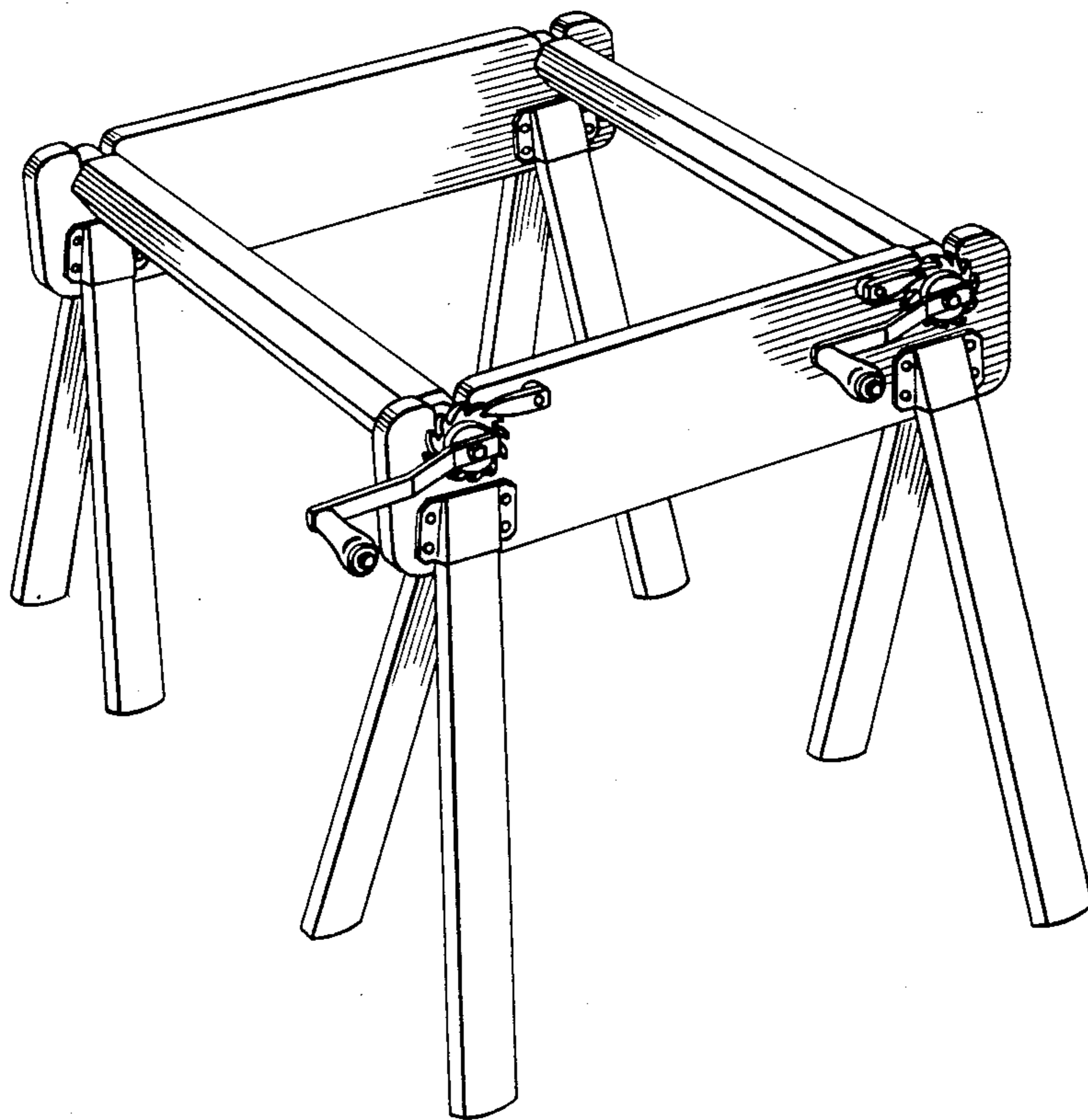
[57]

CLAIM

The ornamental design for a quilting frame, as shown.

DESCRIPTION

FIG. 1 is a perspective view of the quilting frame showing our new design;
FIG. 2 is a side elevational view thereof;
FIG. 3 is a top plan view thereof; and
FIG. 4 is a front elevational view.



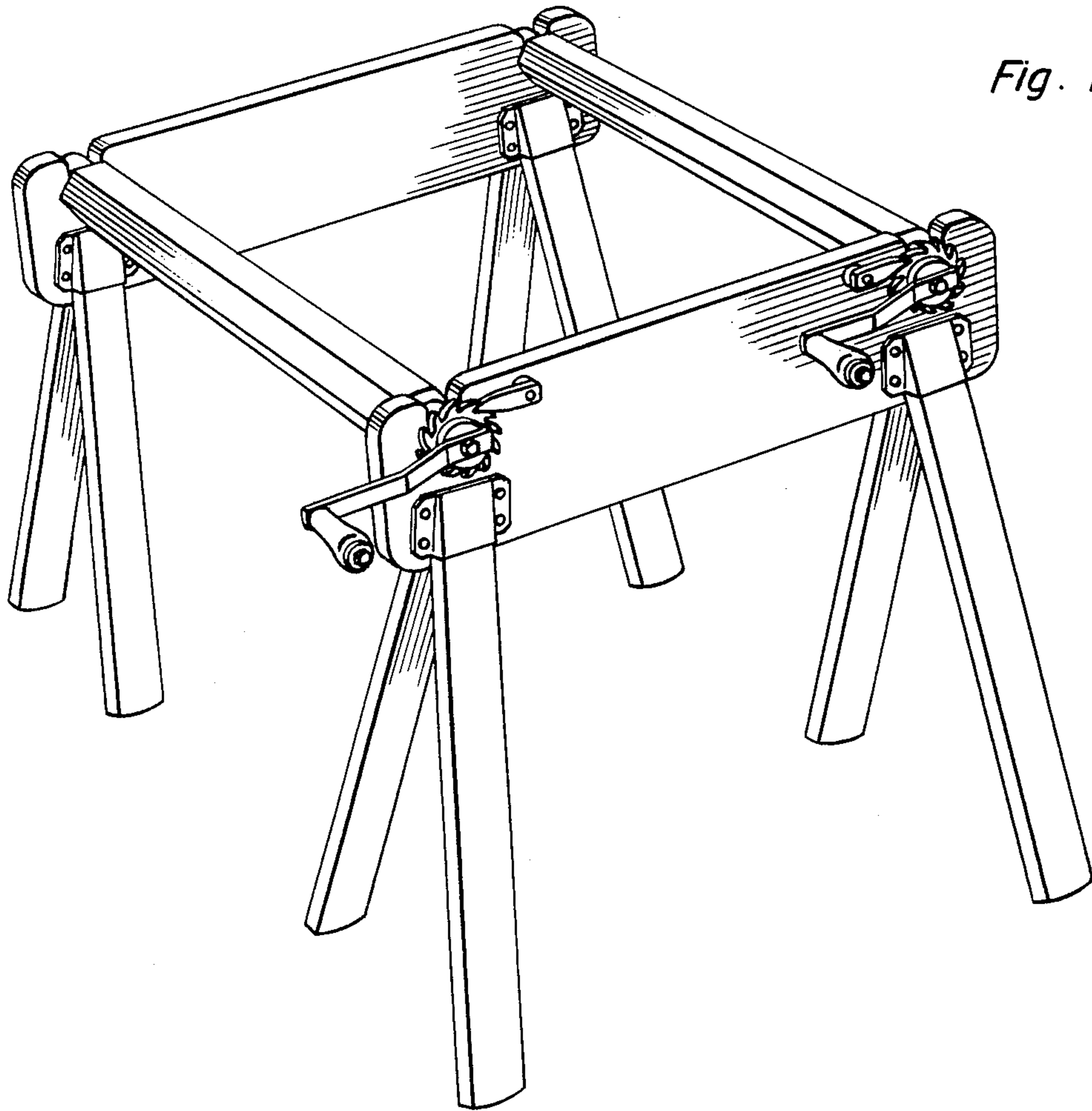


Fig. 1

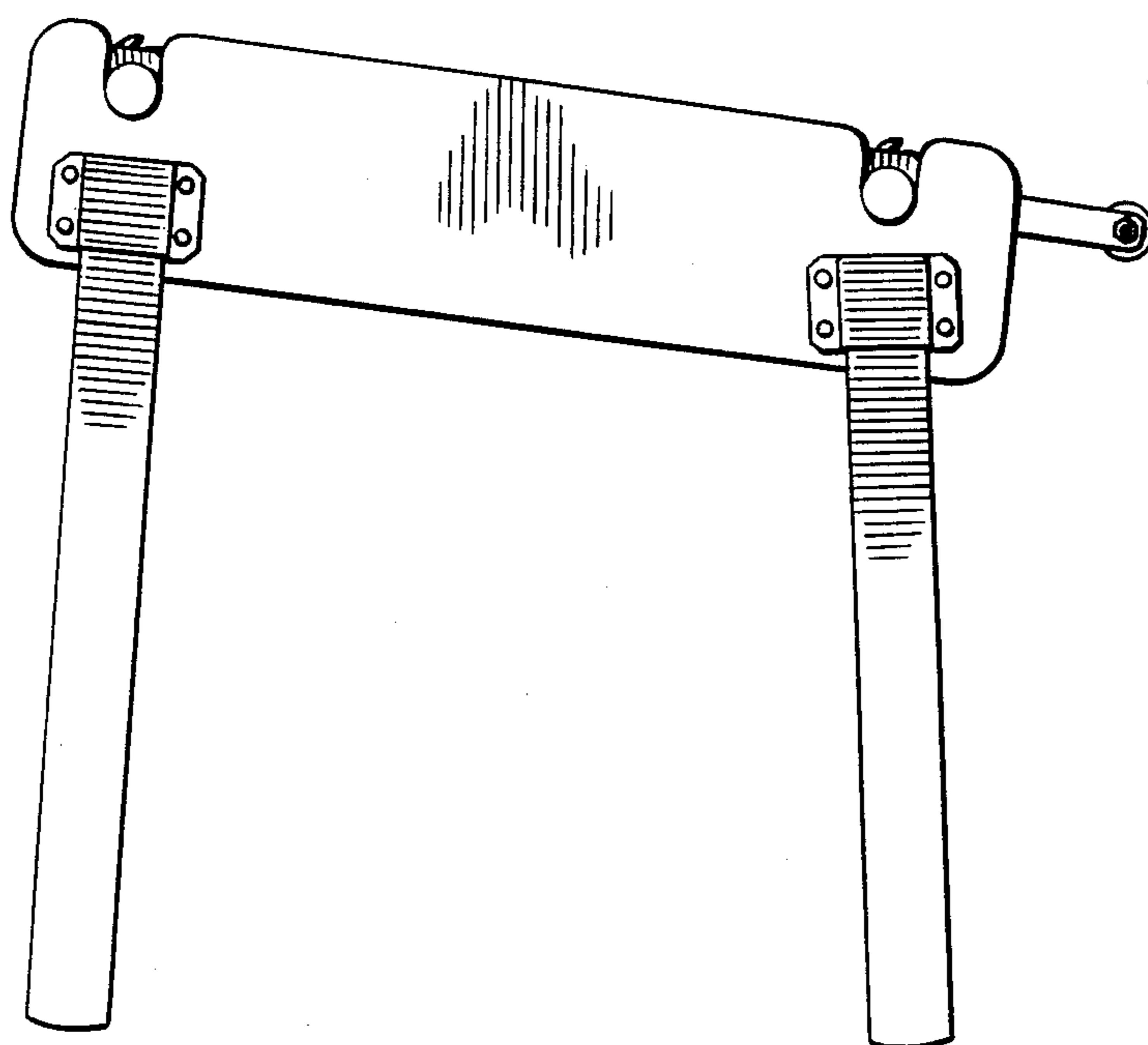


Fig. 2

Fig. 3

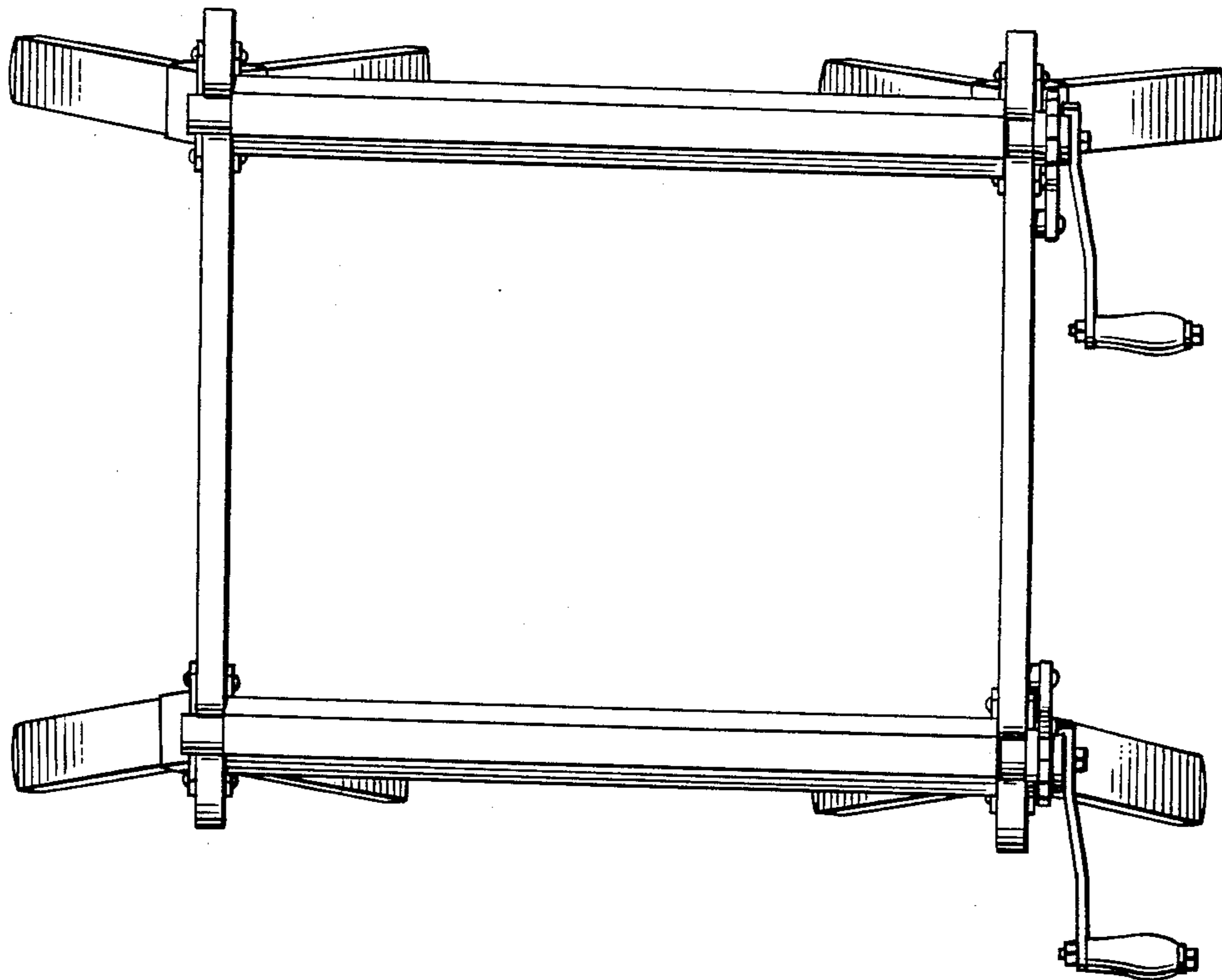


Fig. 4

