

[54] FACSIMILE MACHINE  
 [75] Inventor: Robert W. Paterson, Southfield, Mich.  
 [73] Assignee: Burroughs Corporation, Detroit, Mich.  
 [\*\*] Term: 14 Years  
 [21] Appl. No.: 918,498  
 [22] Filed: Jun. 23, 1978  
 [51] Int. Cl. .... D14-01  
 [52] U.S. Cl. .... D14/94  
 [58] Field of Search ..... D14/94, 95; 358/256, 358/257, 258, 280; 178/30; 346/108  
 [56] References Cited  
 U.S. PATENT DOCUMENTS  
 D. 215,218 9/1969 Plantholt ..... D14/94

D. 217,772 6/1970 Bruce ..... D14/94  
 D. 218,170 7/1970 Kober ..... D14/94  
 D. 231,468 4/1974 Krist ..... D14/94  
 D. 237,716 11/1975 Itoh et al. .... D14/94  
 2,406,811 9/1946 Deloraine et al. .... 178/30  
 2,523,400 9/1950 Thompson ..... 358/280

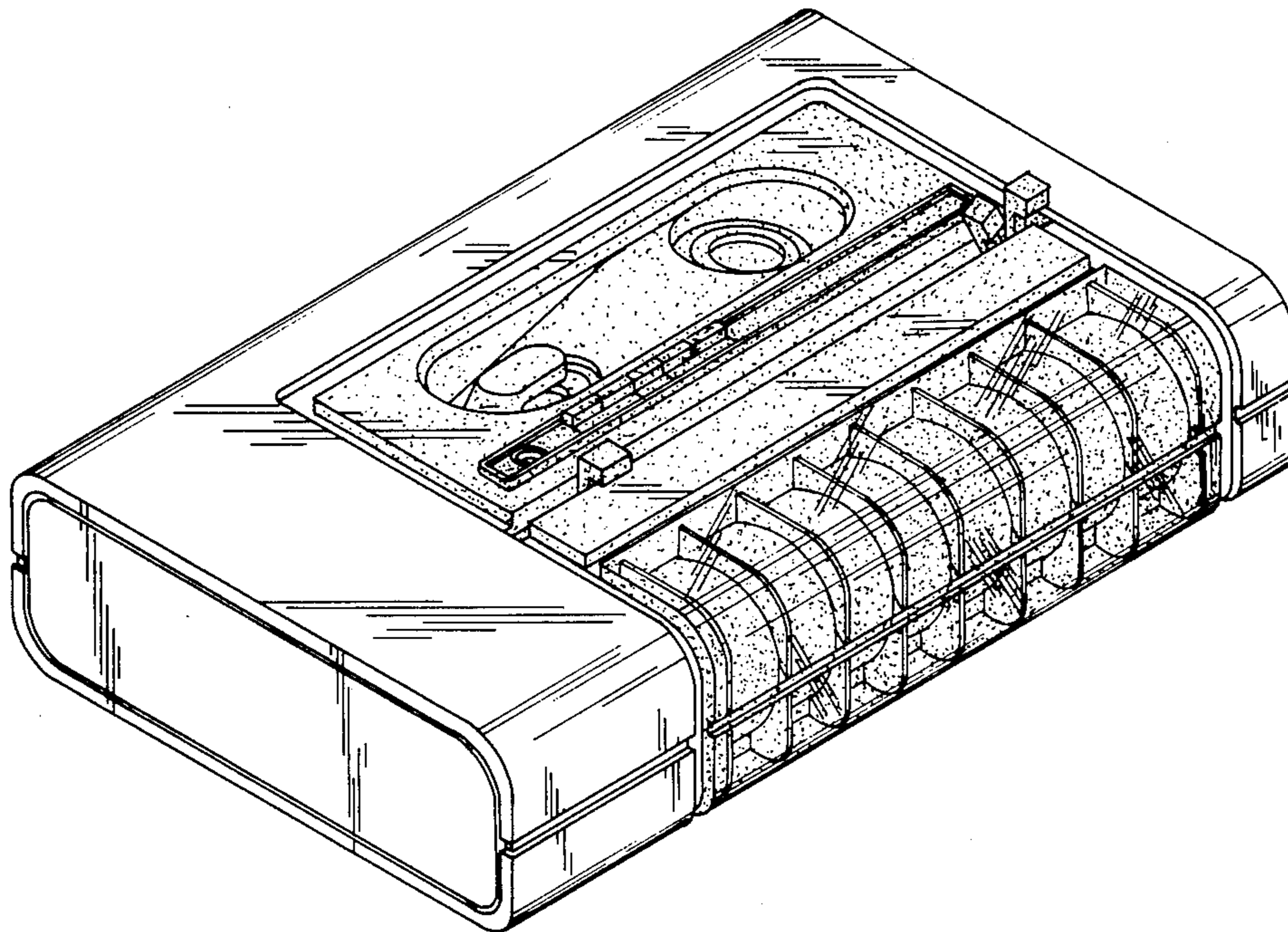
Primary Examiner—Bernard Ansher  
 Attorney, Agent, or Firm—Kevin R. Peterson

[57] CLAIM

The ornamental design for a facsimile machine, substantially as shown and described.

DESCRIPTION

FIG. 1 is a top-front-left side isometric view of a facsimile machine incorporating my new design; FIG. 2 is a top-front-left side isometric view of a modified embodiment of the design of FIG. 1; and FIG. 3 is a bottom-rear-right side isometric view of the facsimile machine of FIG. 1 and FIG. 2.



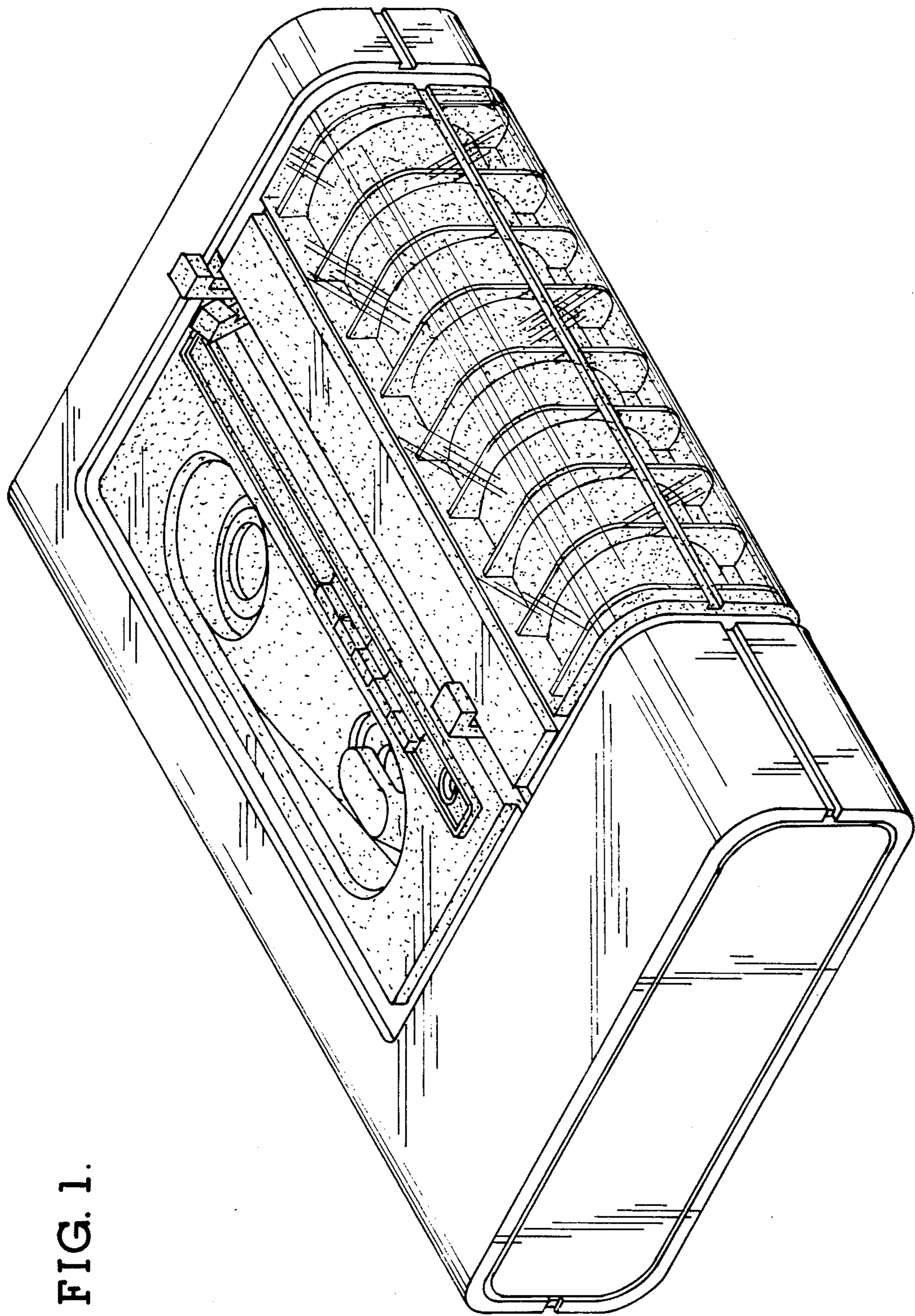


FIG. 1.



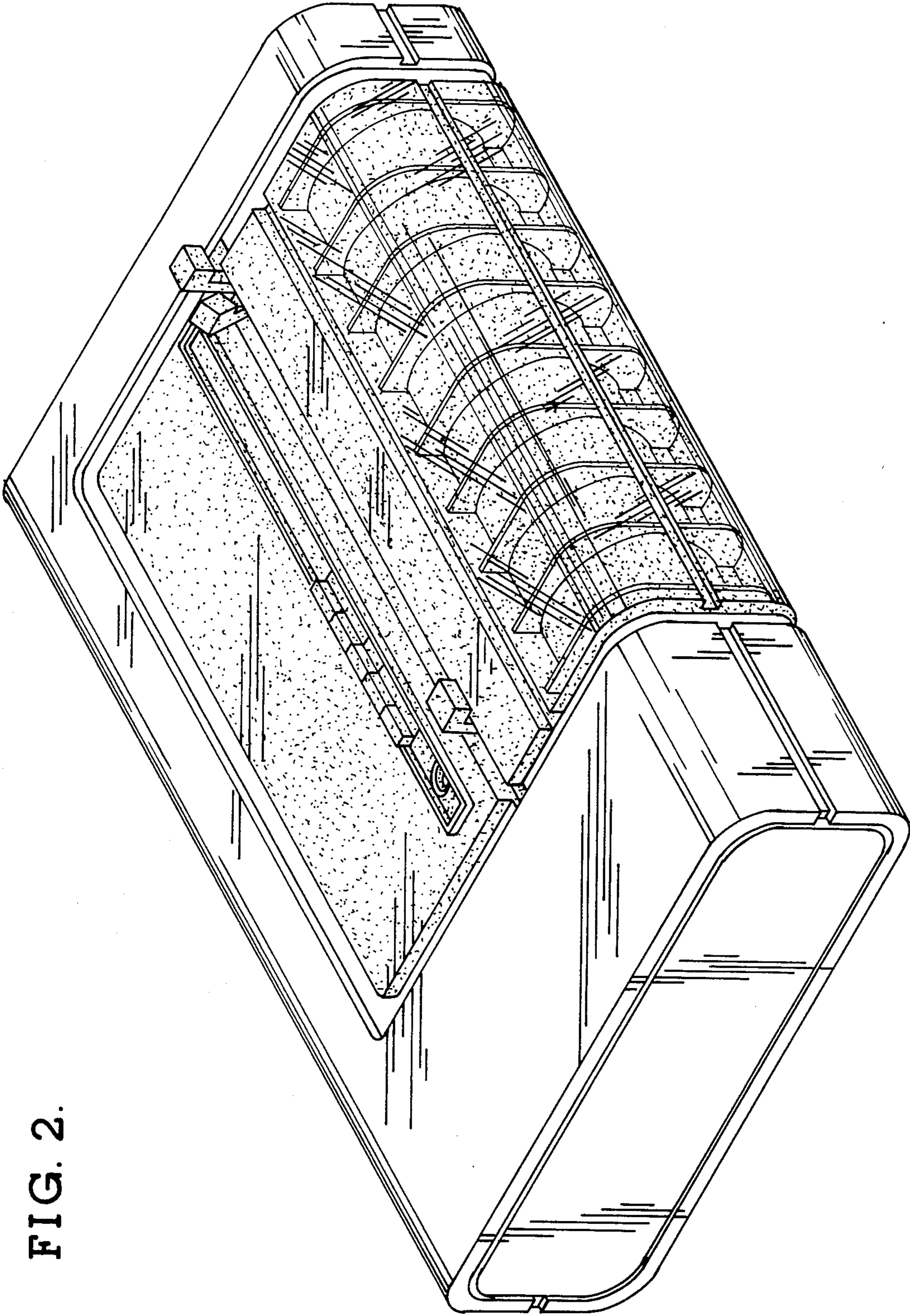


FIG. 2.

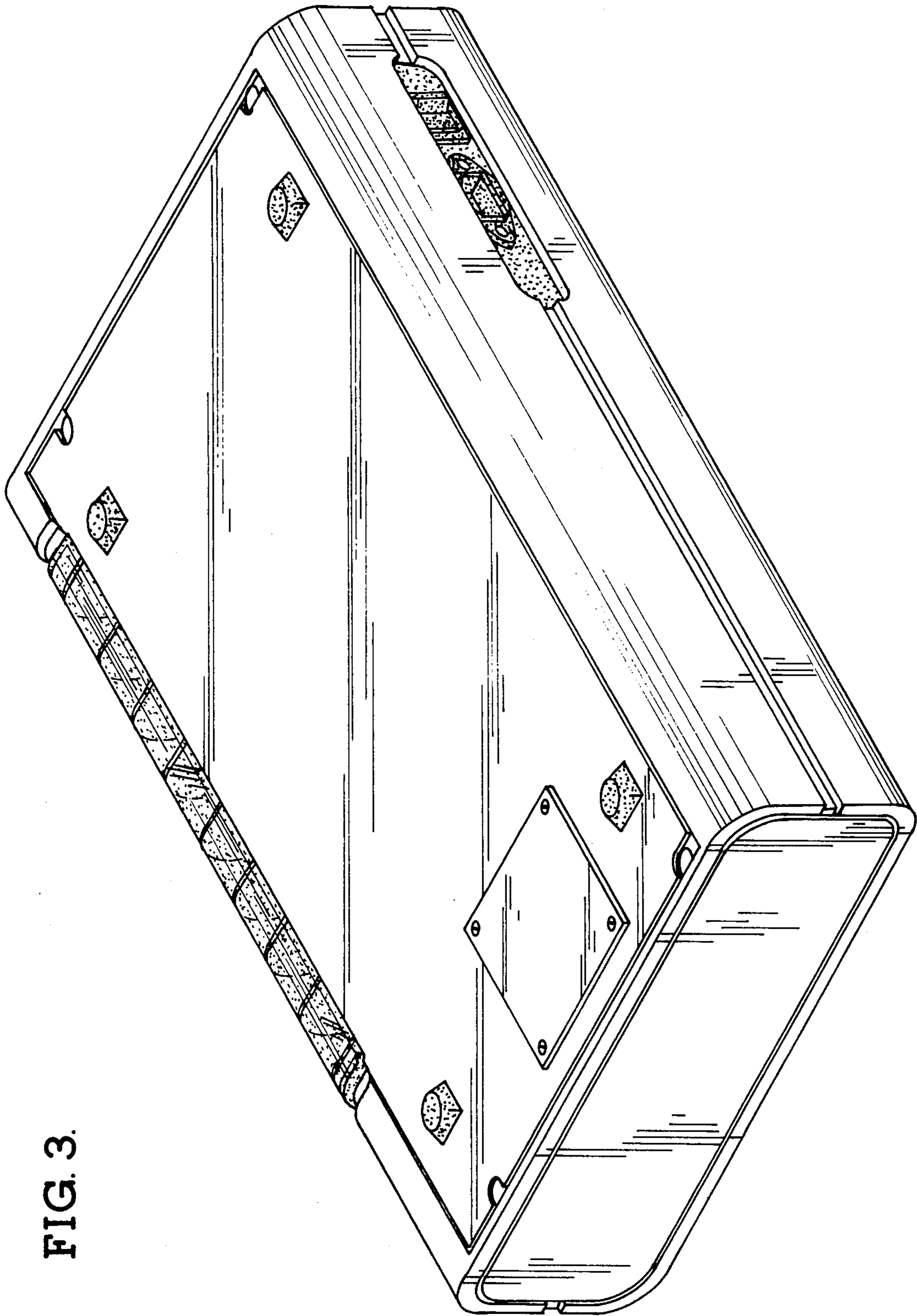


FIG. 3.