

[54] **BRACKET FOR PRINT HEAD**
[76] Inventor: **Harvey H. Leblanc**, 12340 Olivier St.,
Montreal, Quebec, Canada, H4K
1V4
[**] Term: **14 Years**
[21] Appl. No.: **888,519**
[22] Filed: **Mar. 20, 1978**
[51] Int. Cl. **D14—99**
[52] U.S. Cl. **D14/50**
[58] Field of Search **D14/40, 50; D18/11,**
D18/13, 18, 22, 23; 400/151, 152, 144, 144.1,
144.2, 139, 140, 174, 175

[56] **References Cited**
U.S. PATENT DOCUMENTS
2,757,775 8/1956 Hickerson 400/175 X
3,334,720 8/1967 Hickerson 400/144 X

3,625,331 12/1971 Waldenburger et al. 400/174 X

FOREIGN PATENT DOCUMENTS

186260 10/1955 Austria 400/144.2

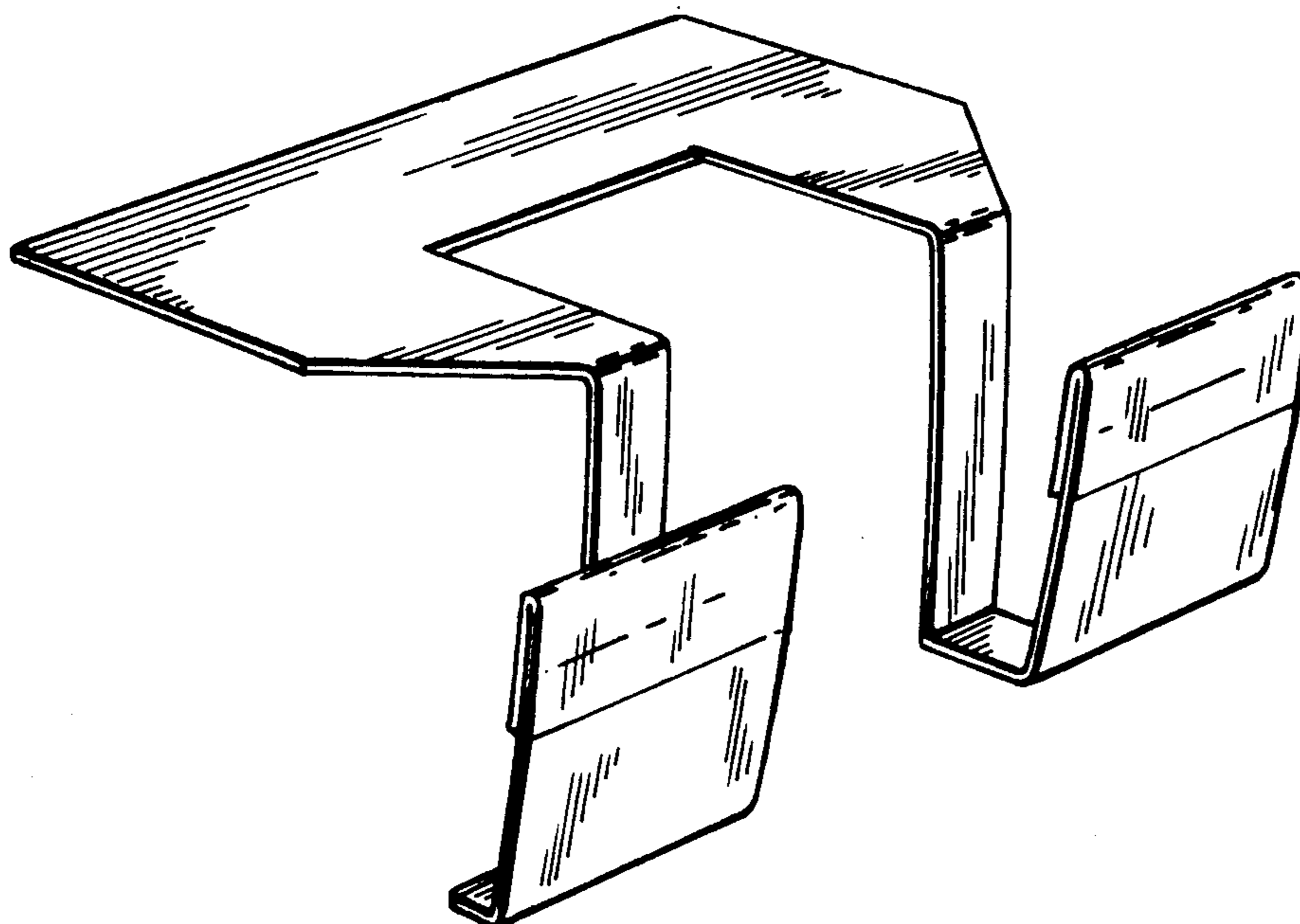
Primary Examiner—Catherine E. Kemper
Attorney, Agent, or Firm—Alan Swabey

[57] **CLAIM**

The ornamental design for a bracket for print head, as shown and described.

DESCRIPTION

FIG. 1 is a perspective view of the bracket for a print head showing my new design;
FIG. 2 is a top plan view thereof on a reduced scale with respect to FIG. 1;
FIG. 3 is a front elevational view thereof on a reduced scale with respect to FIG. 1;
FIG. 4 is an end elevational view thereof on a reduced scale with respect to FIG. 1; and
FIG. 5 is a rear elevational view thereof.



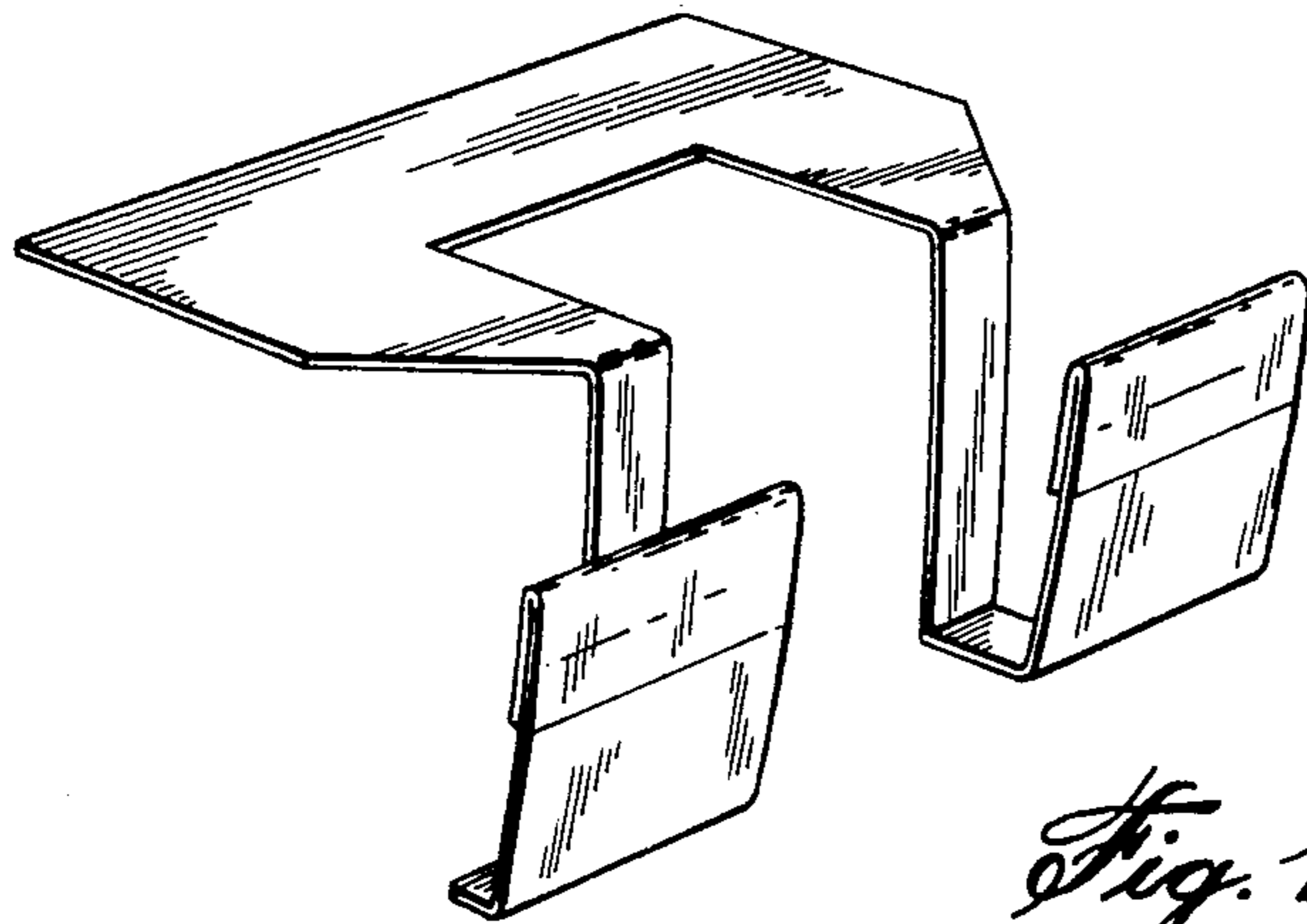


Fig. 1

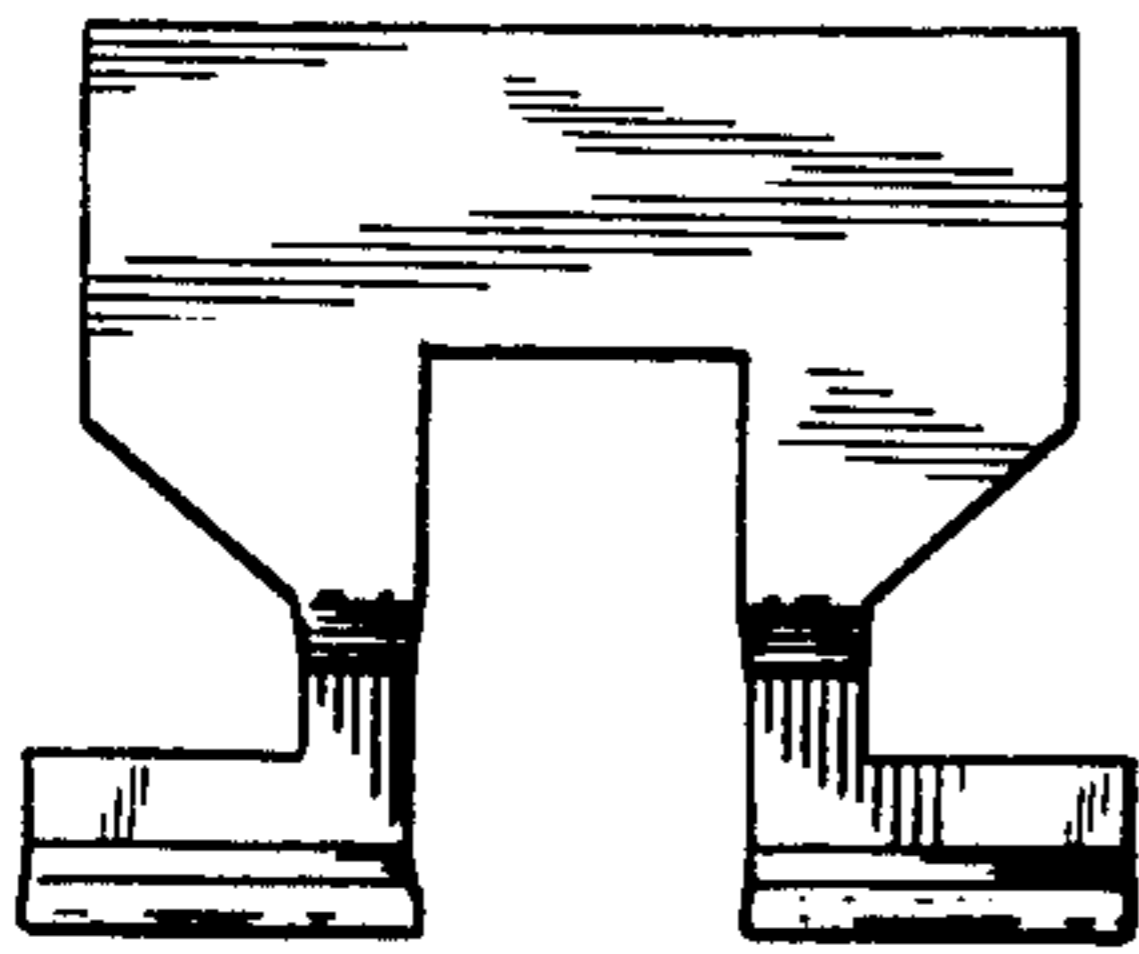


Fig. 2

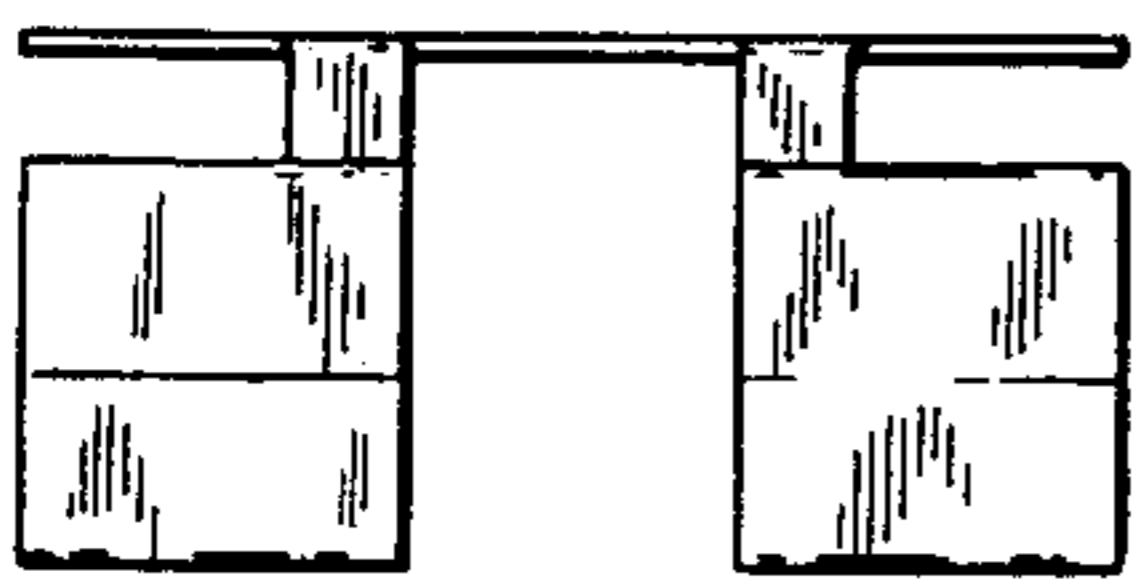


Fig. 3

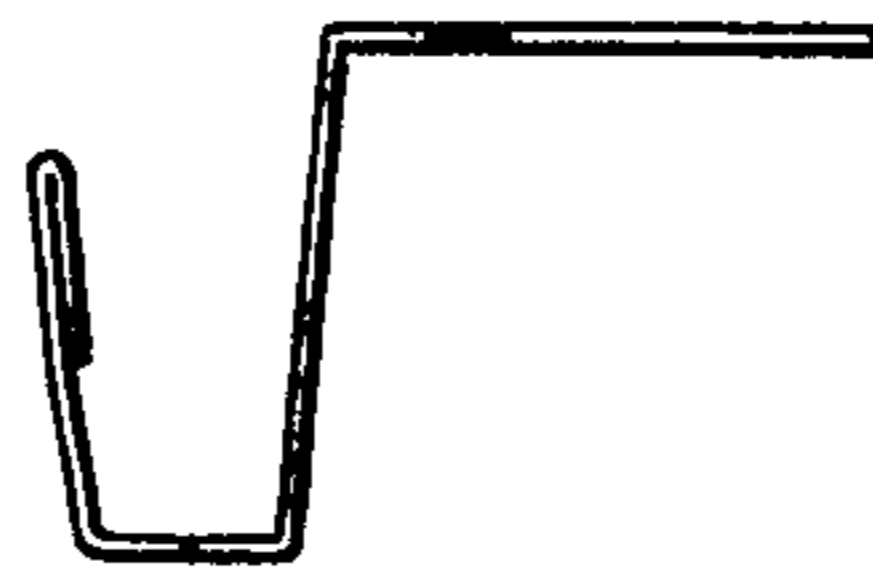


Fig. 4

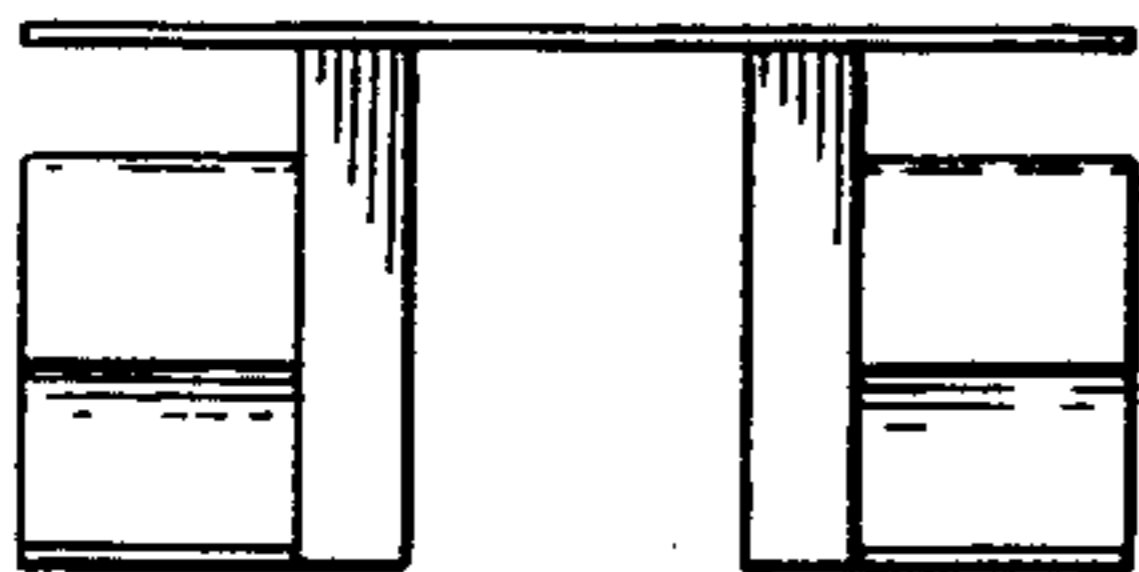


Fig. 5