

[54] COMBINED FISHING FLOAT CARRIER AND RACK FOR ATTACHMENT TO BOATS

3,128,022 4/1964 Mastrud 211/13
3,195,731 7/1965 Bomar 211/13

[76] Inventor: Joan K. Hutmacher, Box 73, Mead, Nebr. 68041

Primary Examiner—Sam Rosen
Attorney, Agent, or Firm—Louis J. Strom

[**] Term: 14 Years

[57] CLAIM

[21] Appl. No.: 889,312

The ornamental design for a combined fishing float carrier and rack for attachment to boats, substantially as shown and described.

[22] Filed: Mar. 23, 1978

[51] Int. Cl. D12-06; D22-05

[52] U.S. Cl. D12/70; D3/30; D22/22; D22/99

[58] Field of Search D22/22, 30, 99; D6/106, D6/185; 211/13, 97, 144; D3/30; D12/70

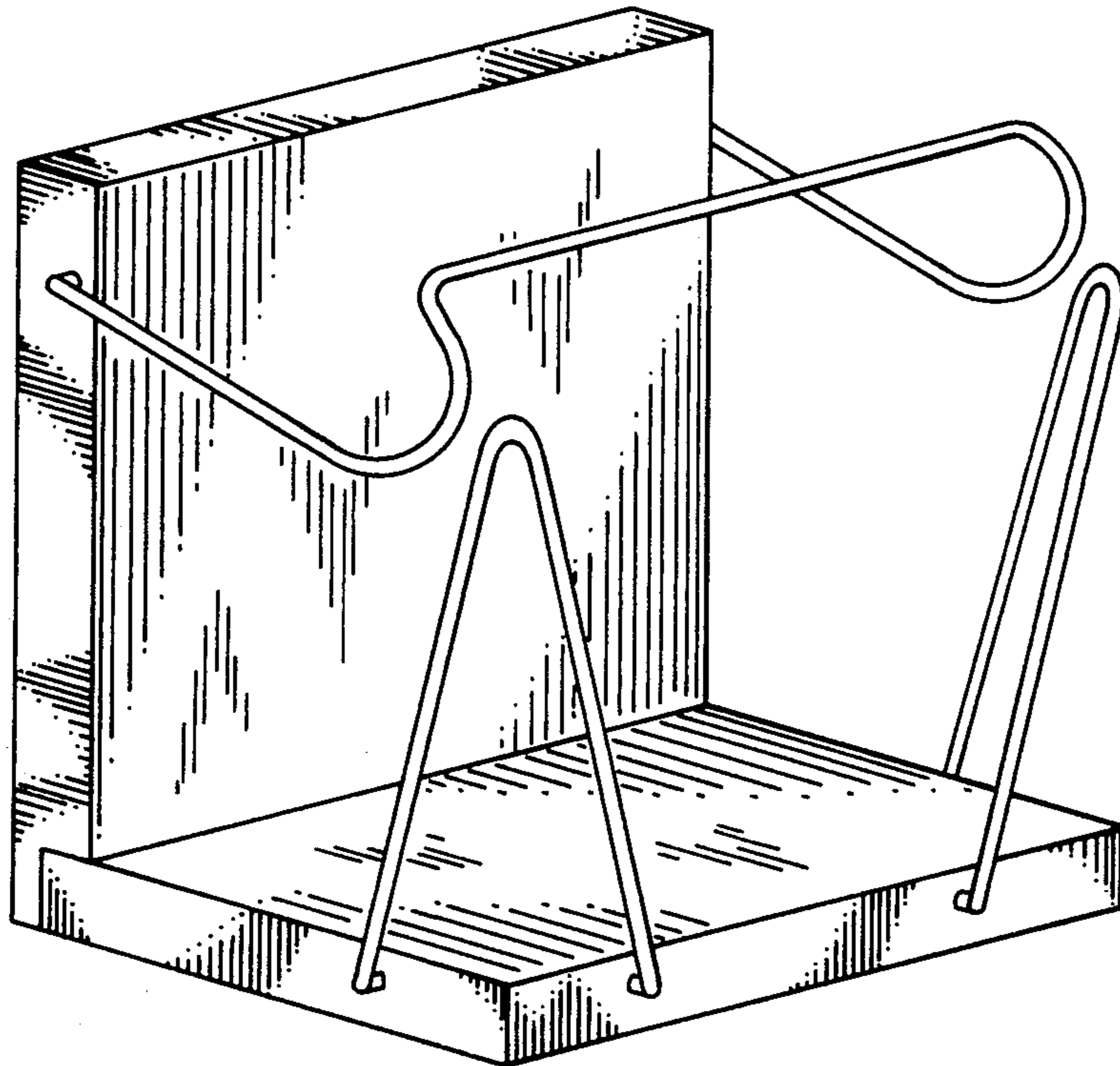
DESCRIPTION

FIG. 1 is a perspective view of a combined fishing float carrier and rack for attachment to boats with the top in closed position, showing my new design; FIG. 2 is a side elevational view thereof with the top pivoted to an open position and wherein the opposite side is a mirror image thereof; FIG. 3 is a rear elevational view thereof with the top in closed position; FIG. 4 is a top plan view thereof; and FIG. 5 is a bottom plan view thereof.

[56] References Cited

U.S. PATENT DOCUMENTS

D. 183,595 9/1958 Borskey D6/185
D. 252,382 7/1979 Hutmacher D10/107



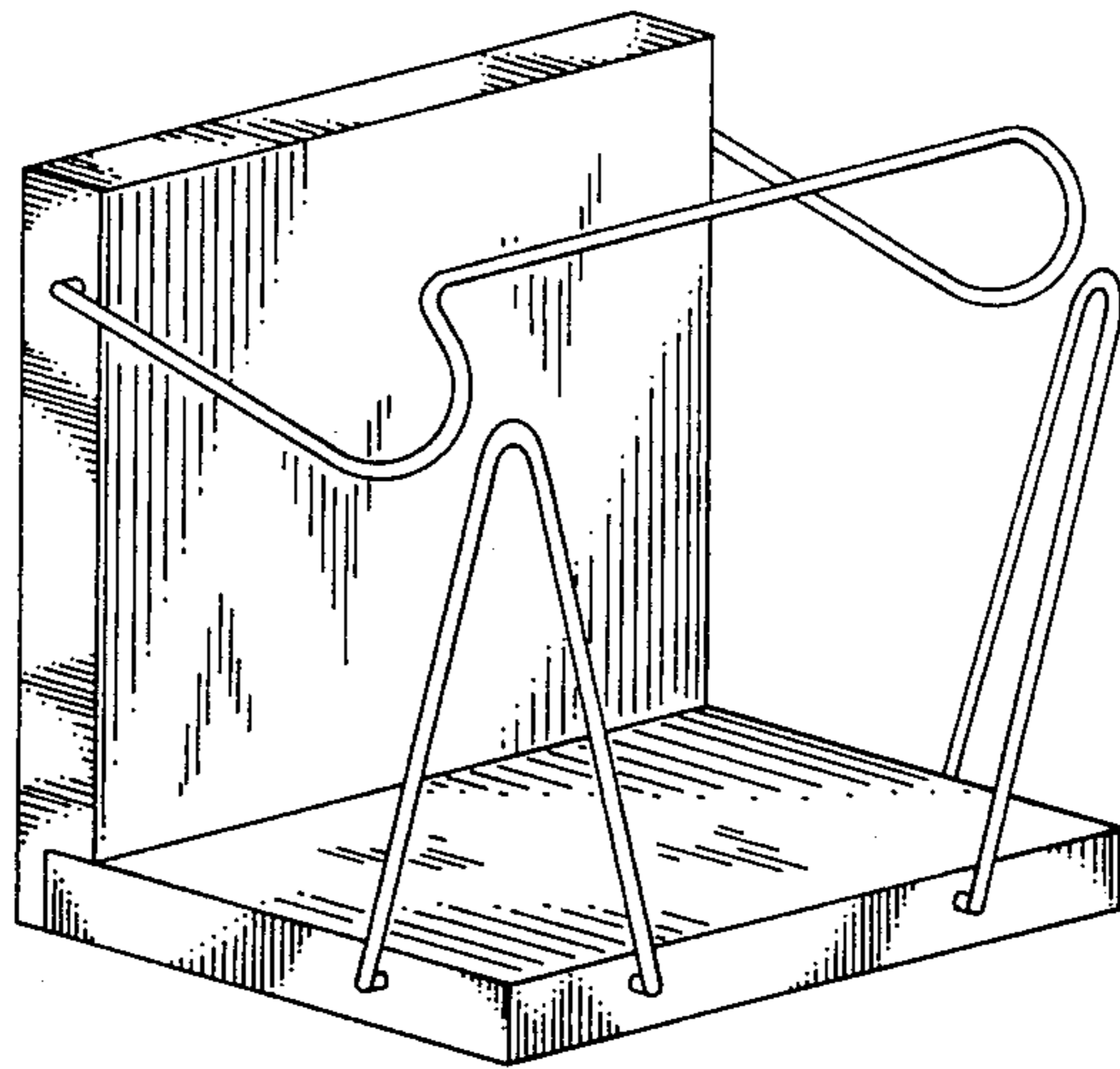


FIG. 1

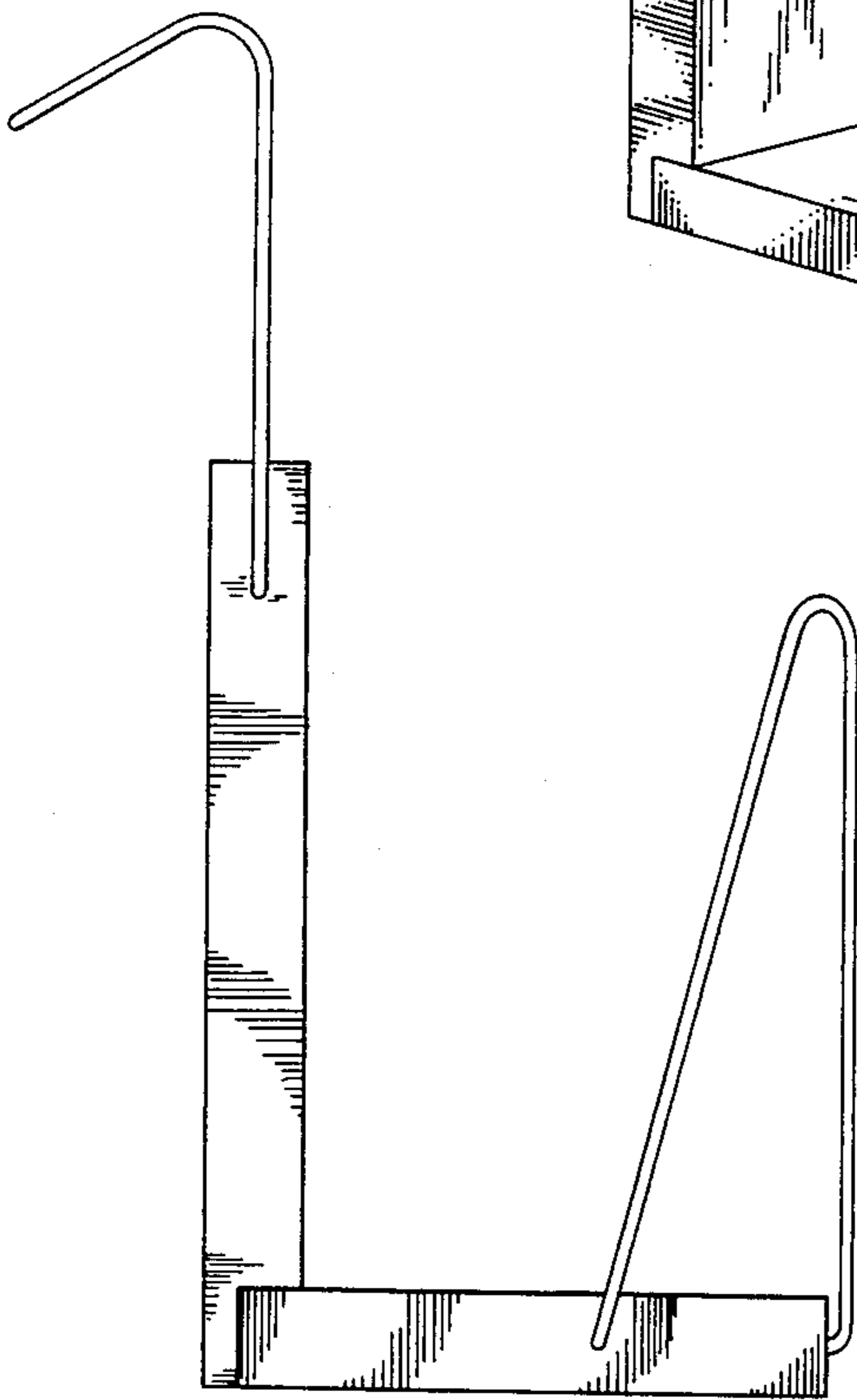


FIG. 2

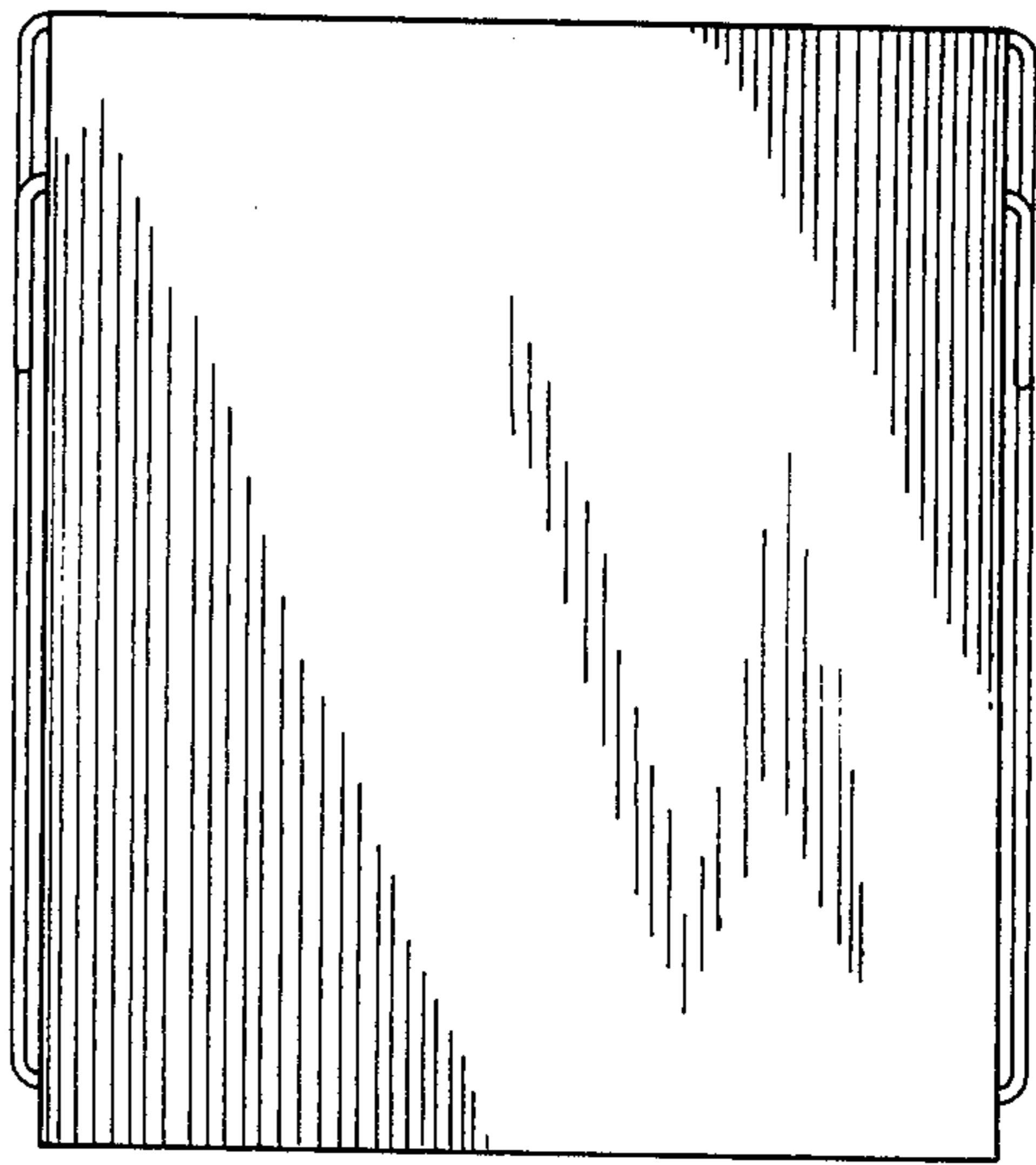


FIG. 3

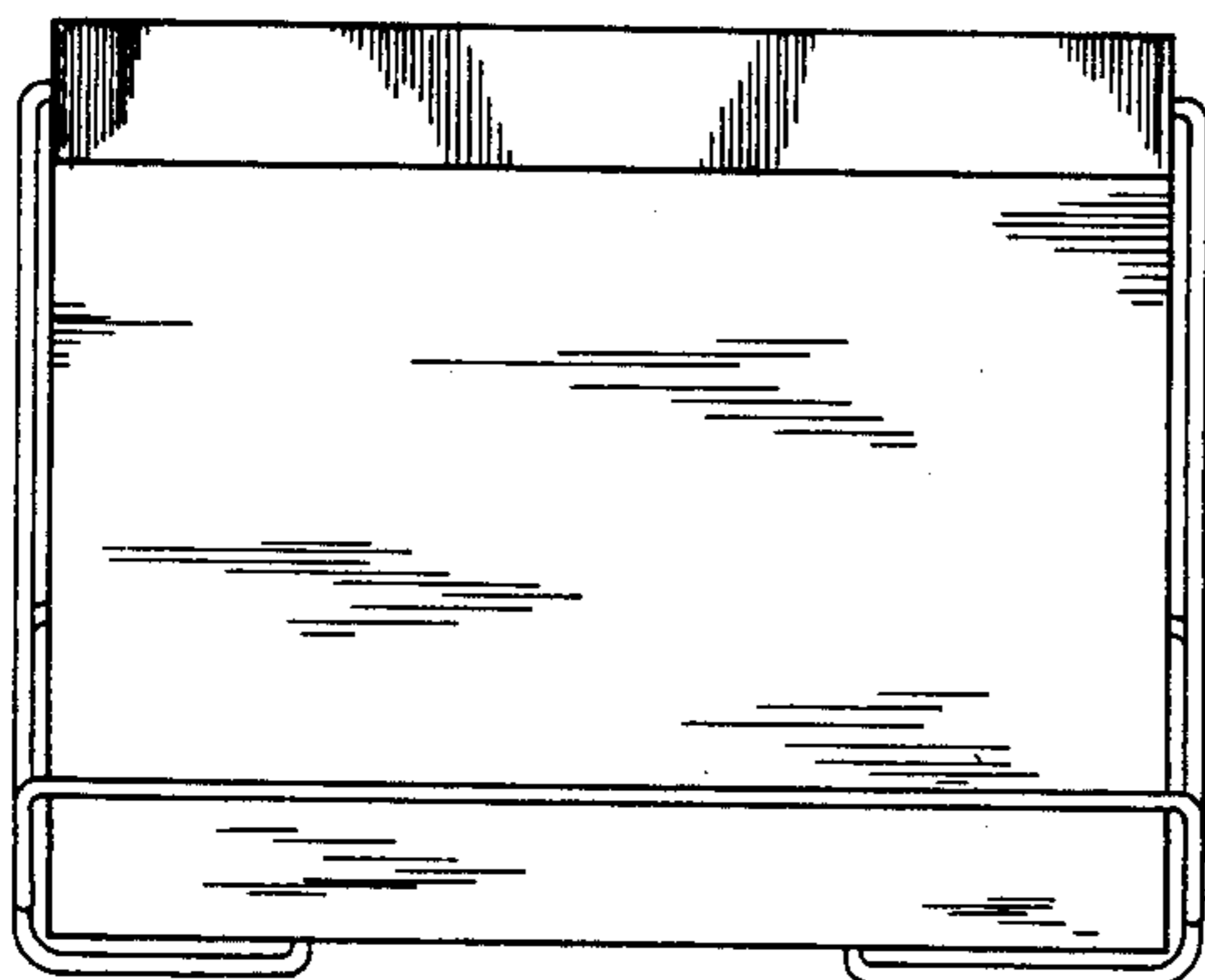


FIG. 4

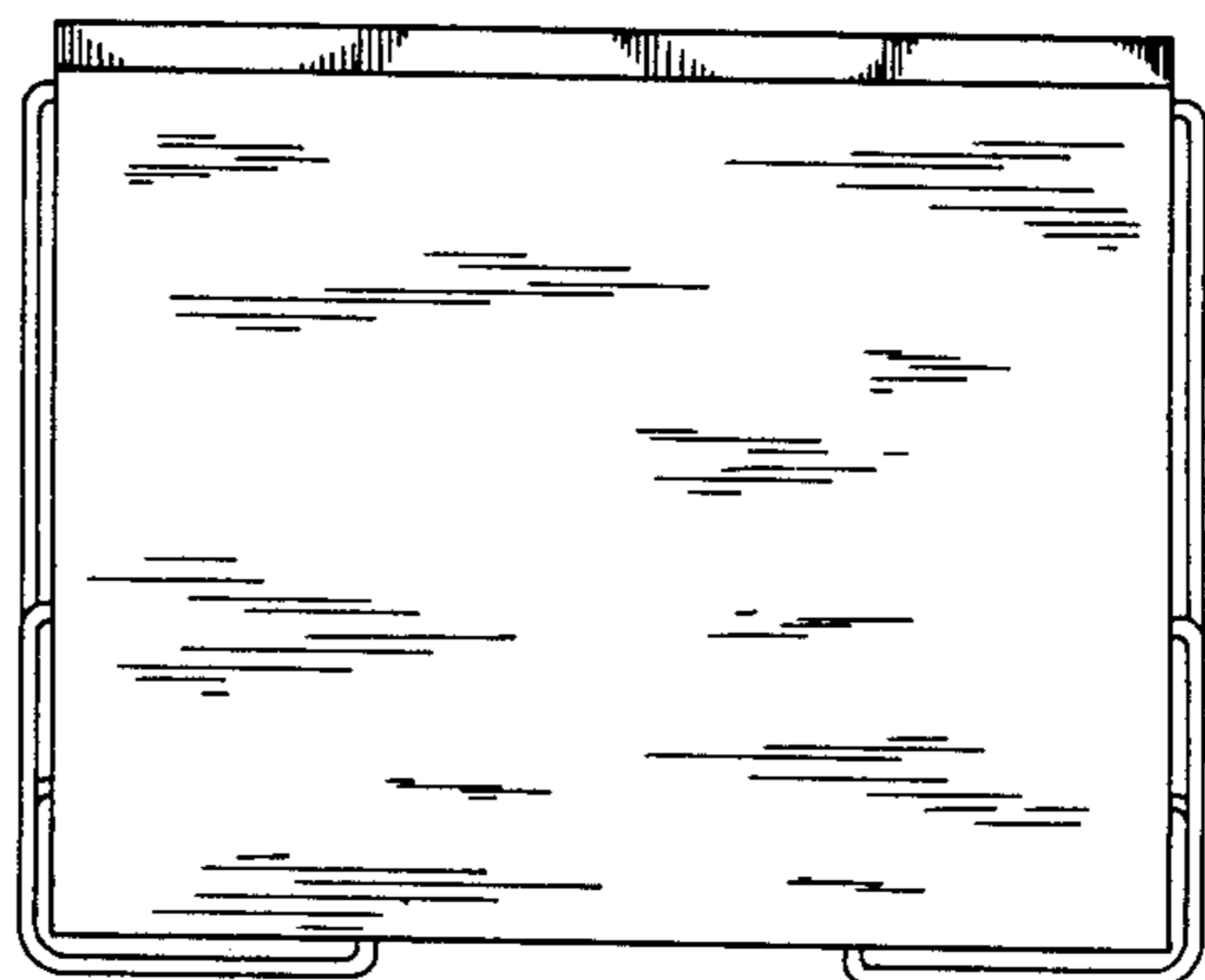


FIG. 5