

[54] CEILING WINCH

[56] References Cited
PUBLICATIONS

[76] Inventor: Scott Row, 3720 Greenview Dr.,
Marietta, Ga. 30067

Korus Inc. Flyer, Available 5/78, K-3000 Ceiling
Winch.

Primary Examiner—James M. Gandy
Attorney, Agent, or Firm—Harold D. Jones, Jr.

[**] Term: 14 Years

[57] CLAIM

The ornamental design for a ceiling winch, substantially
as shown.

[21] Appl. No.: 940,869

DESCRIPTION

[22] Filed: Sep. 8, 1978

FIG. 1 is a perspective view of a ceiling winch showing
my new design;

FIG. 2 is a top plan view thereof;

FIG. 3 is a bottom plan view thereof;

FIG. 4 is a rear elevational view thereof;

FIG. 5 is a front elevational view thereof;

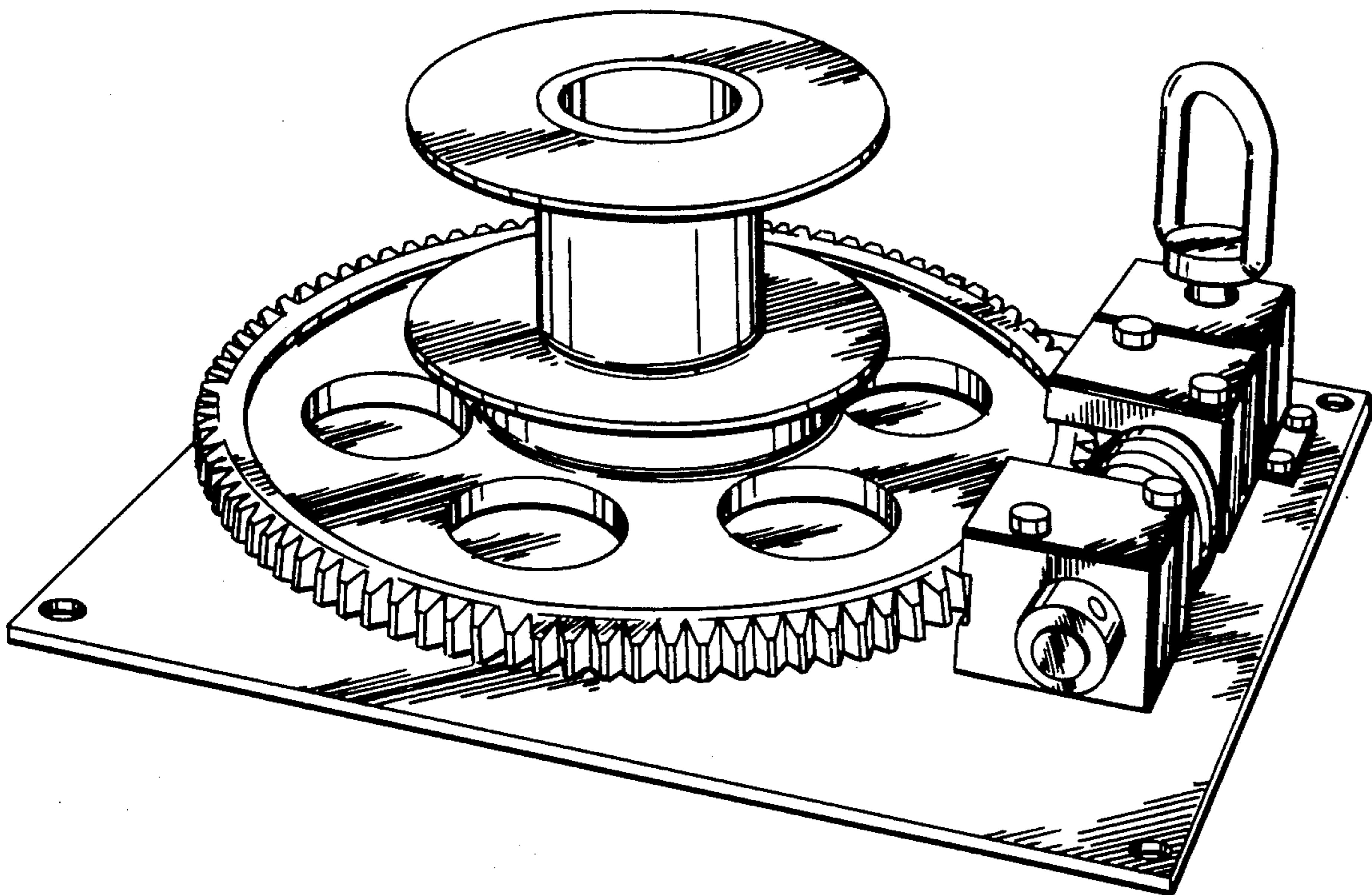
FIG. 6 is a left side elevational view thereof;

FIG. 7 is a right side elevational view thereof.

[51] Int. Cl. D12-05

[52] U.S. Cl. D12/54

[58] Field of Search D12/54; 254/139, 139.1,
254/142, 167, 170



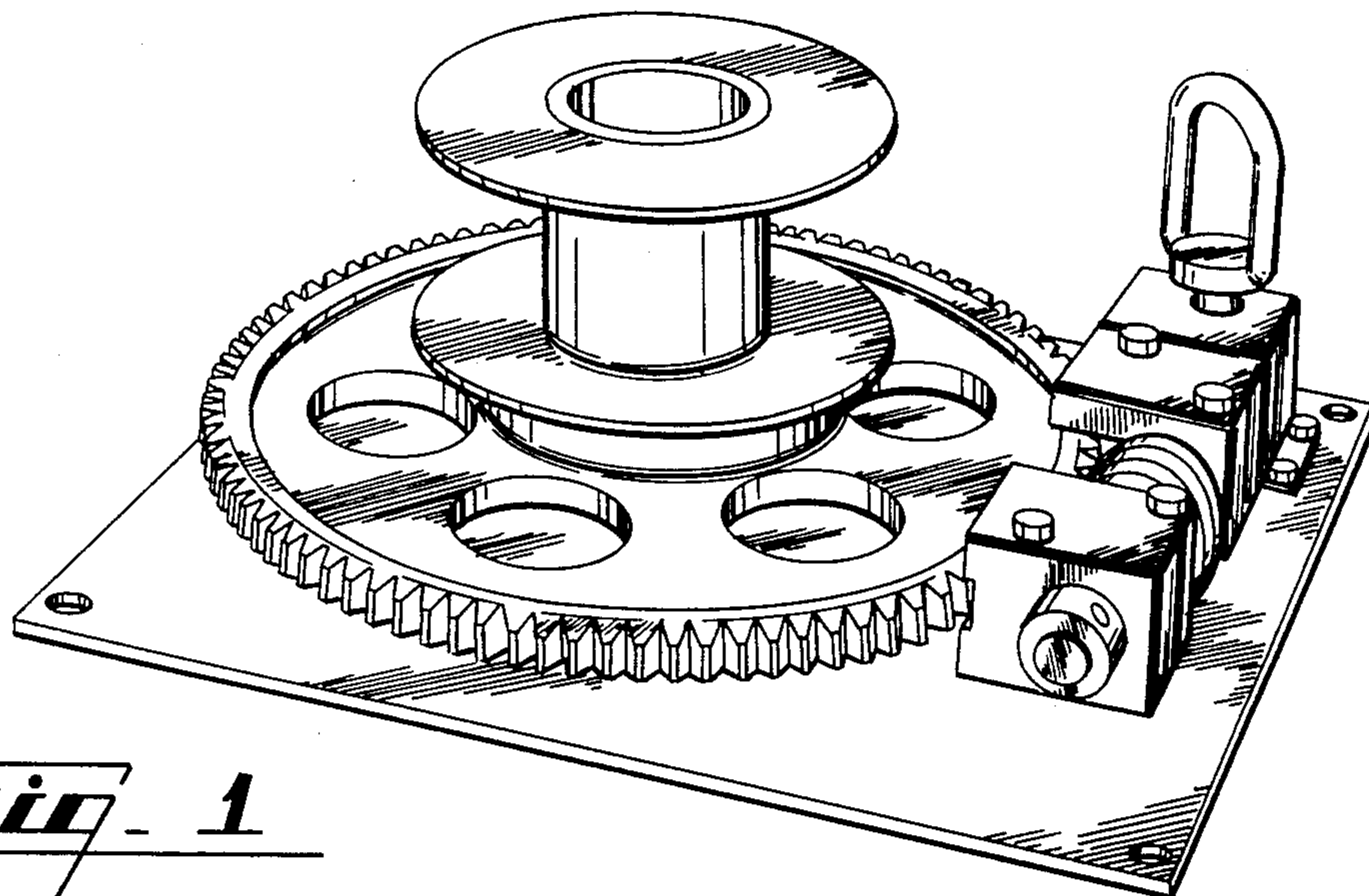


Fig. 1

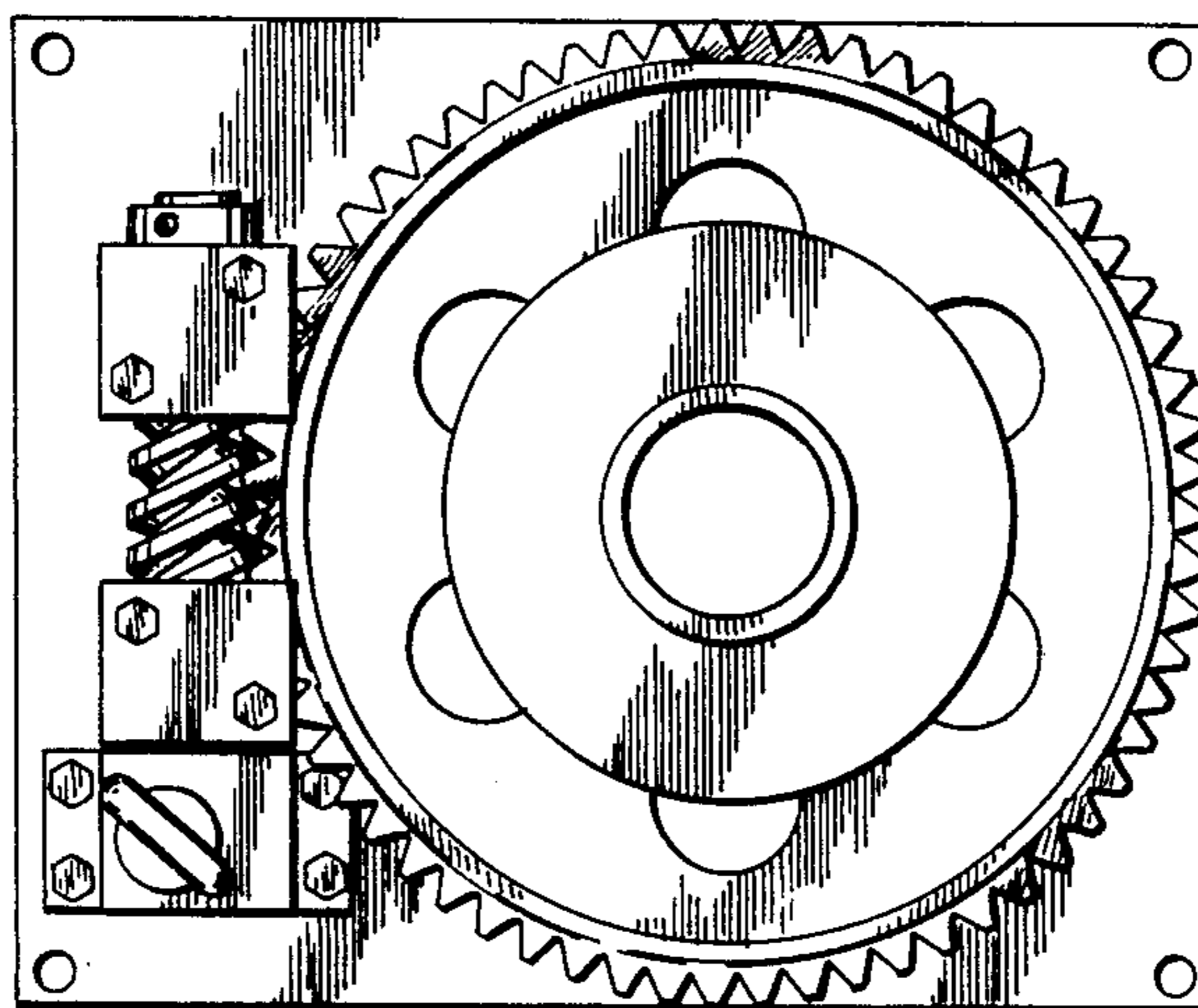


Fig. 2

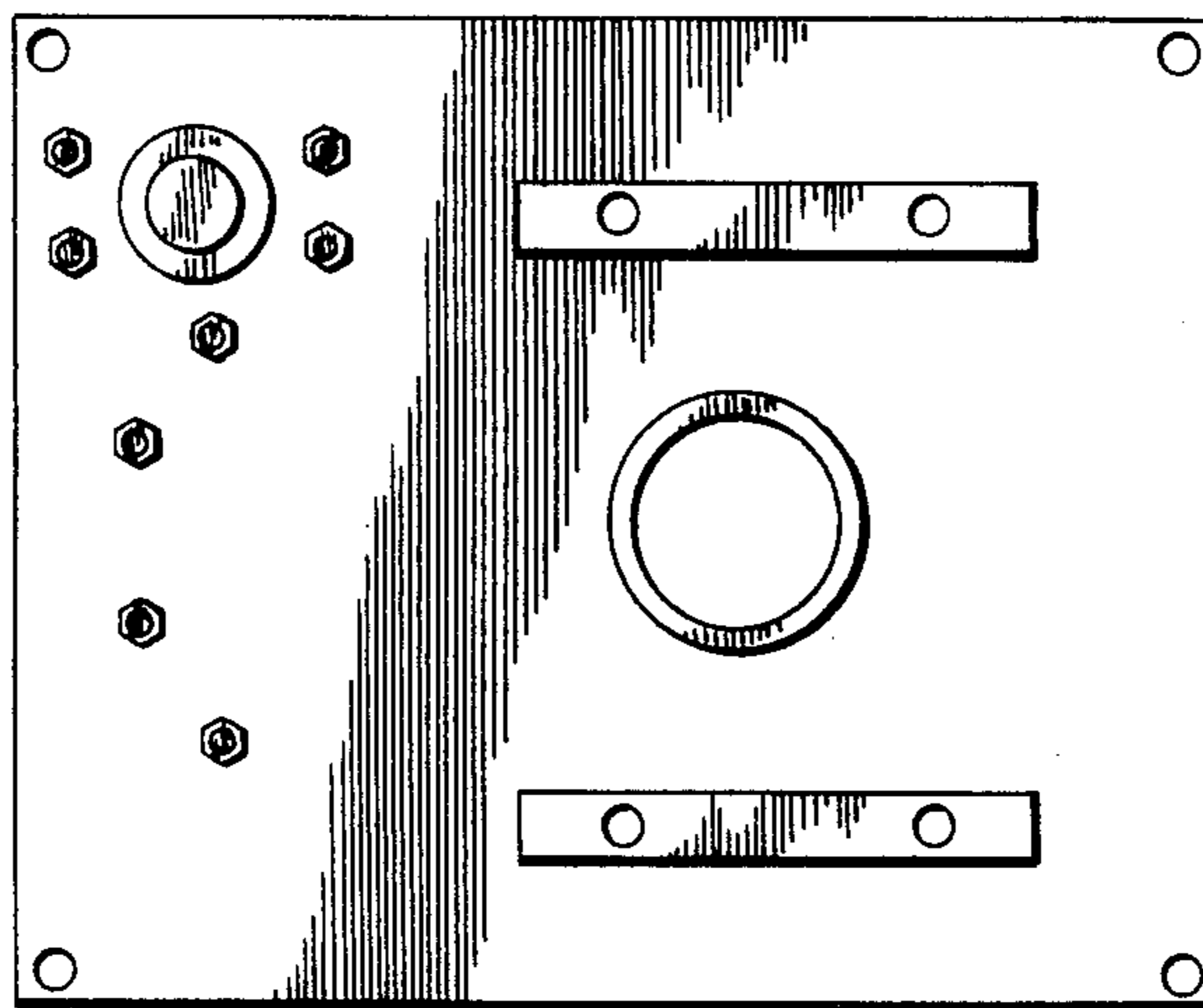


Fig. 3

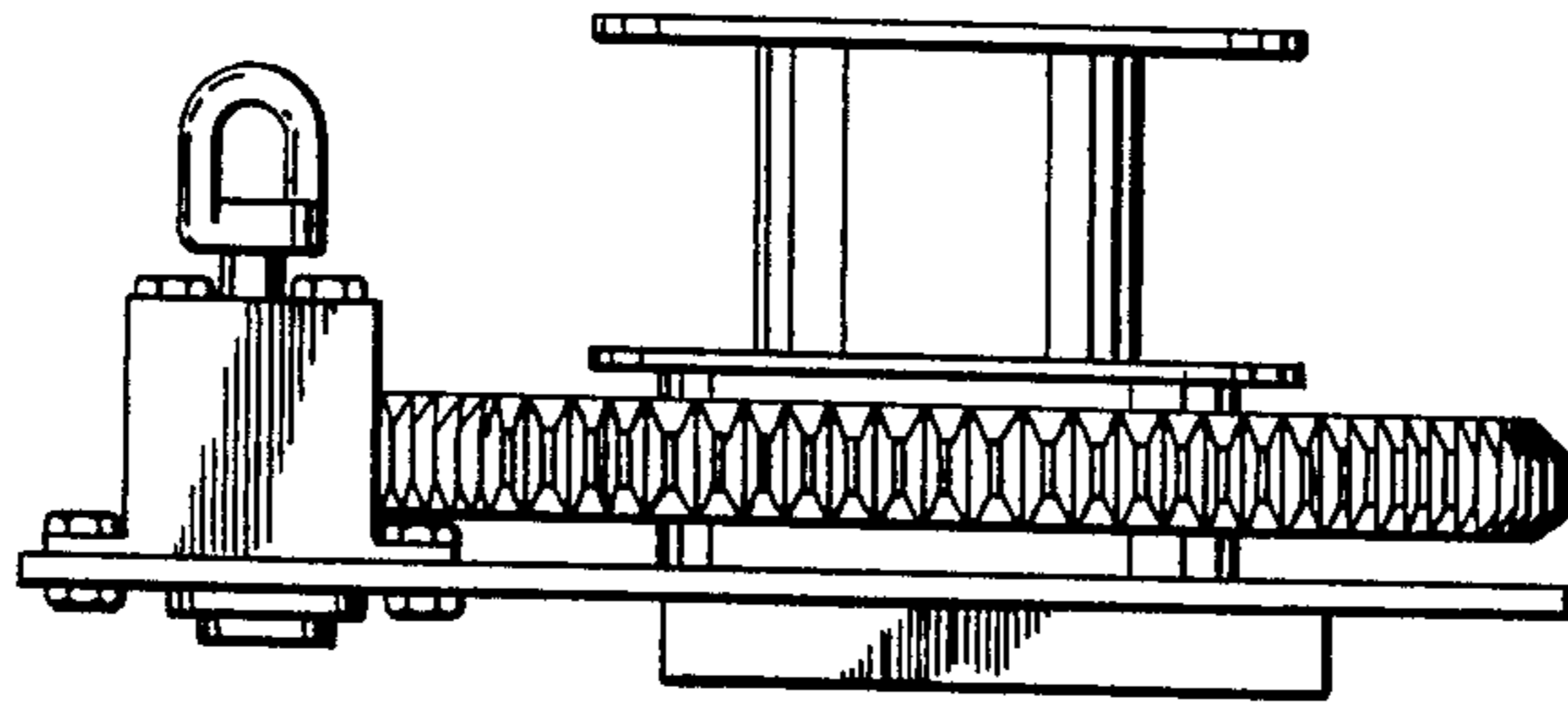


Fig. - 4

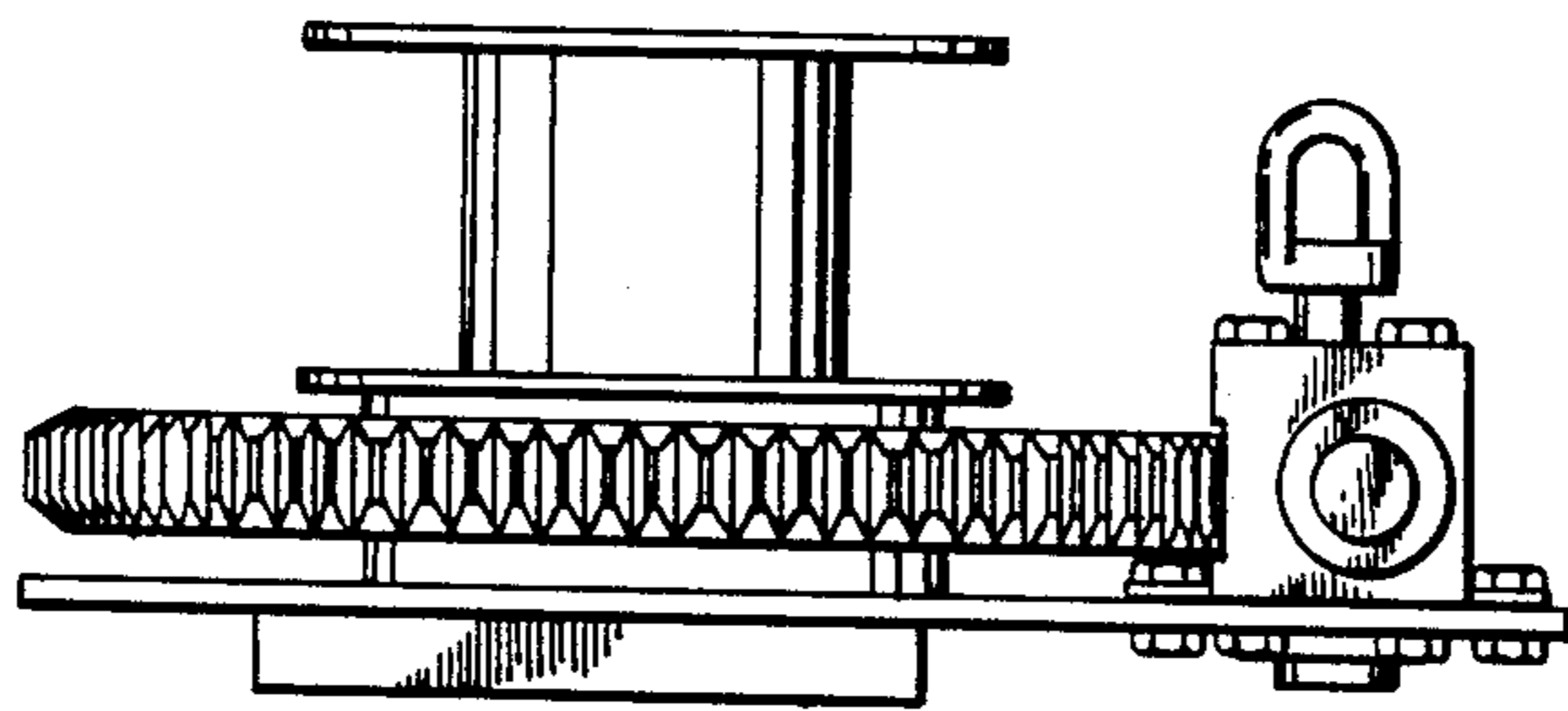


Fig. - 5

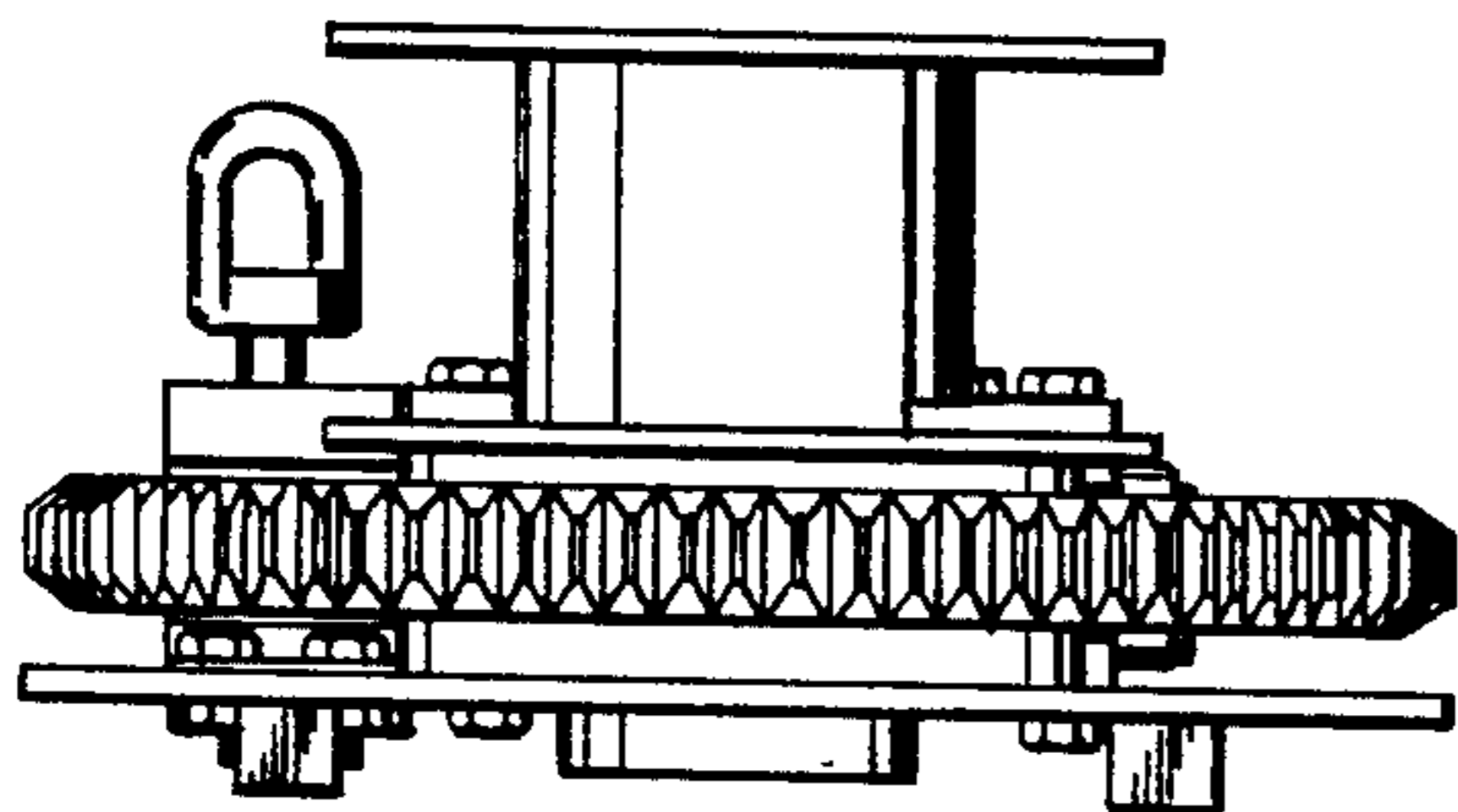


Fig. - 6

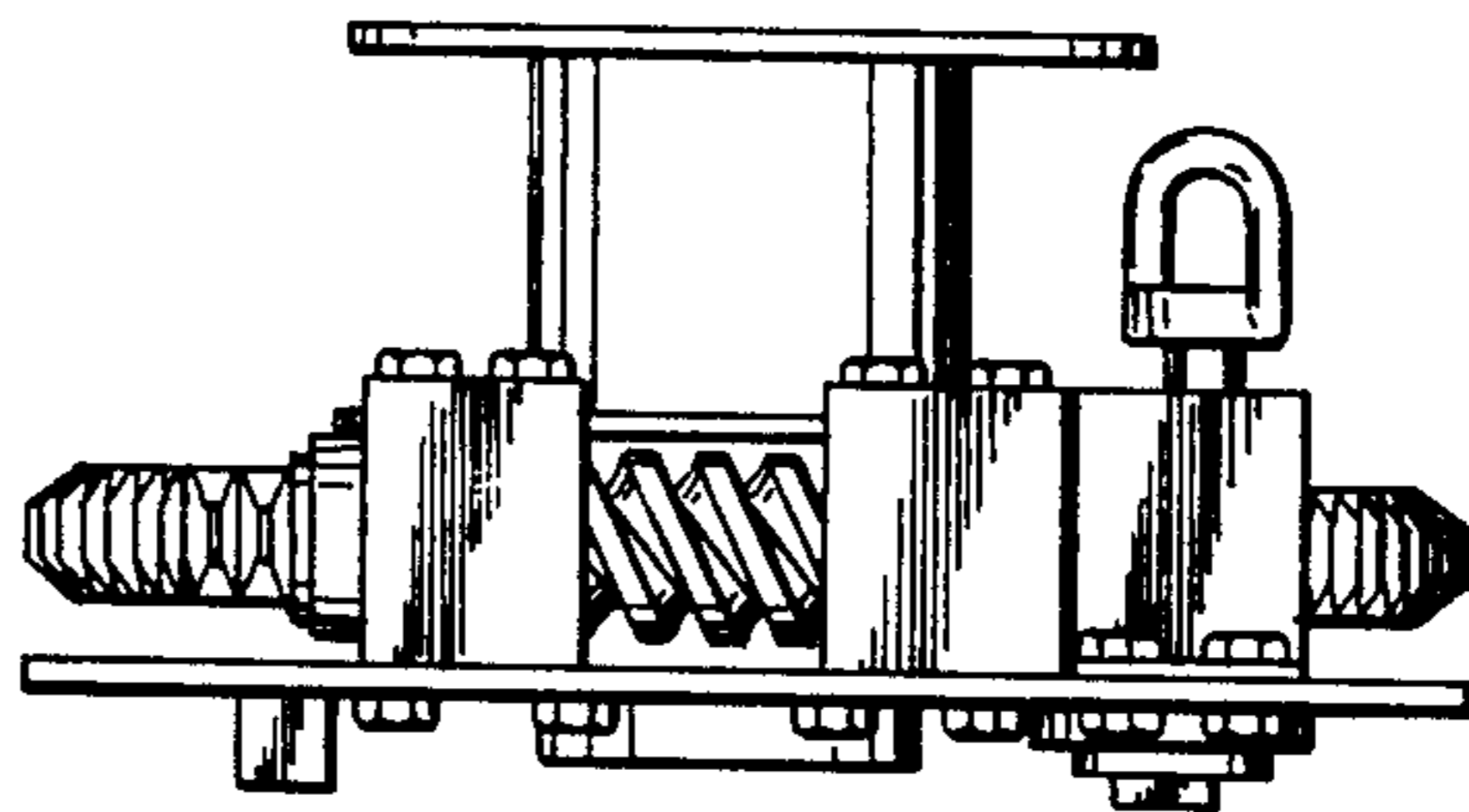


Fig. - 7