

[54] SPINNING FINGER RING

[76] Inventor: **Josef J. Barr**, 125 Worth Ave., Palm Beach, Fla. 33480

[**] Term: **14 Years**

[21] Appl. No.: **962,312**

[22] Filed: **Nov. 17, 1978**

[51] Int. Cl. **D11-01**

[52] U.S. Cl. **D11/27; D11/35**

[58] Field of Search **D11/26-30, D11/35; 63/1 R, 2, 15-15.8**

[56] **References Cited**

U.S. PATENT DOCUMENTS

1,060,631 5/1913 Rich et al. **D11/30 X**
1,672,355 6/1928 Ullman **63/15 X**

FOREIGN PATENT DOCUMENTS

373599 7/1922 Fed. Rep. of Germany 63/15

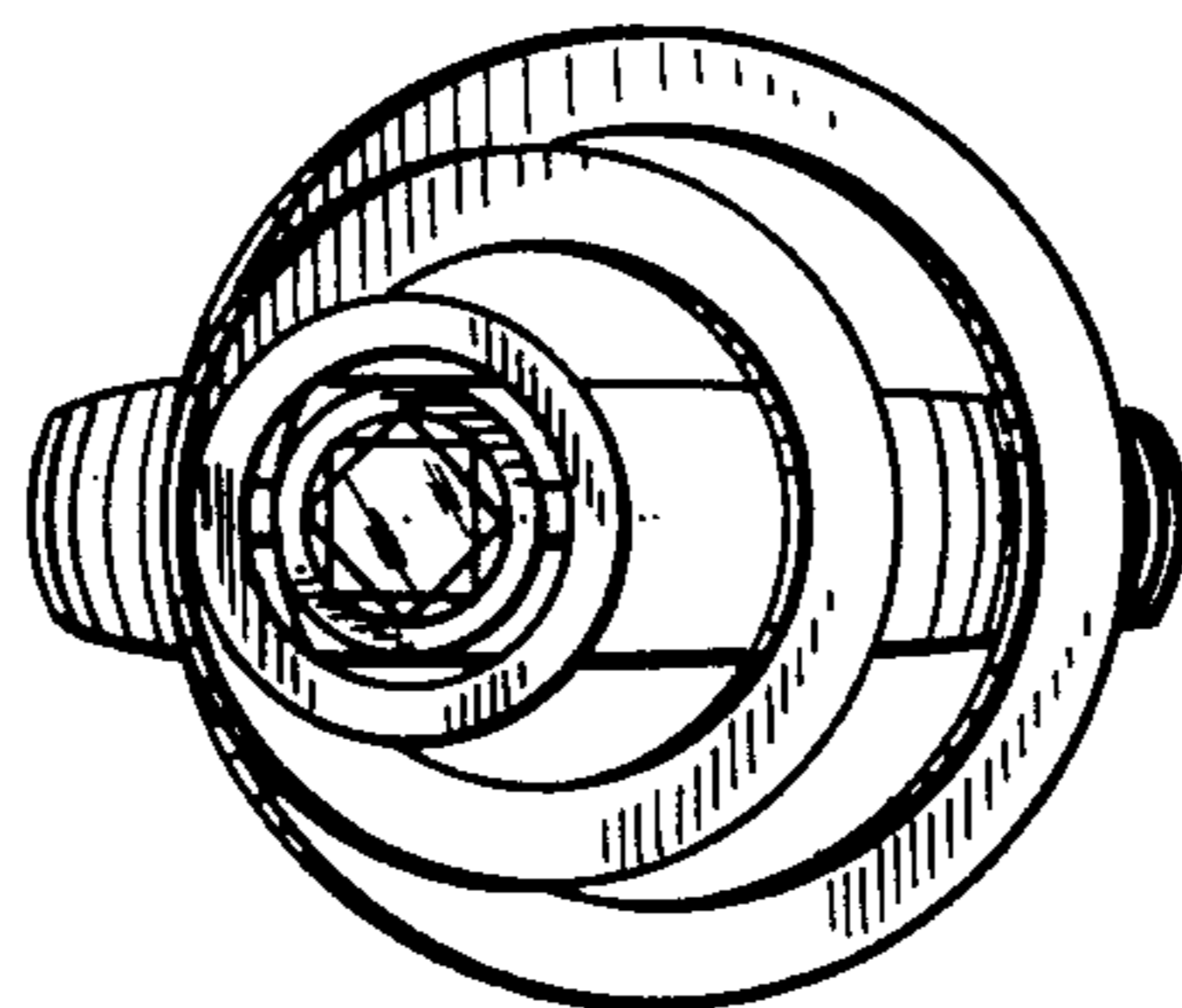
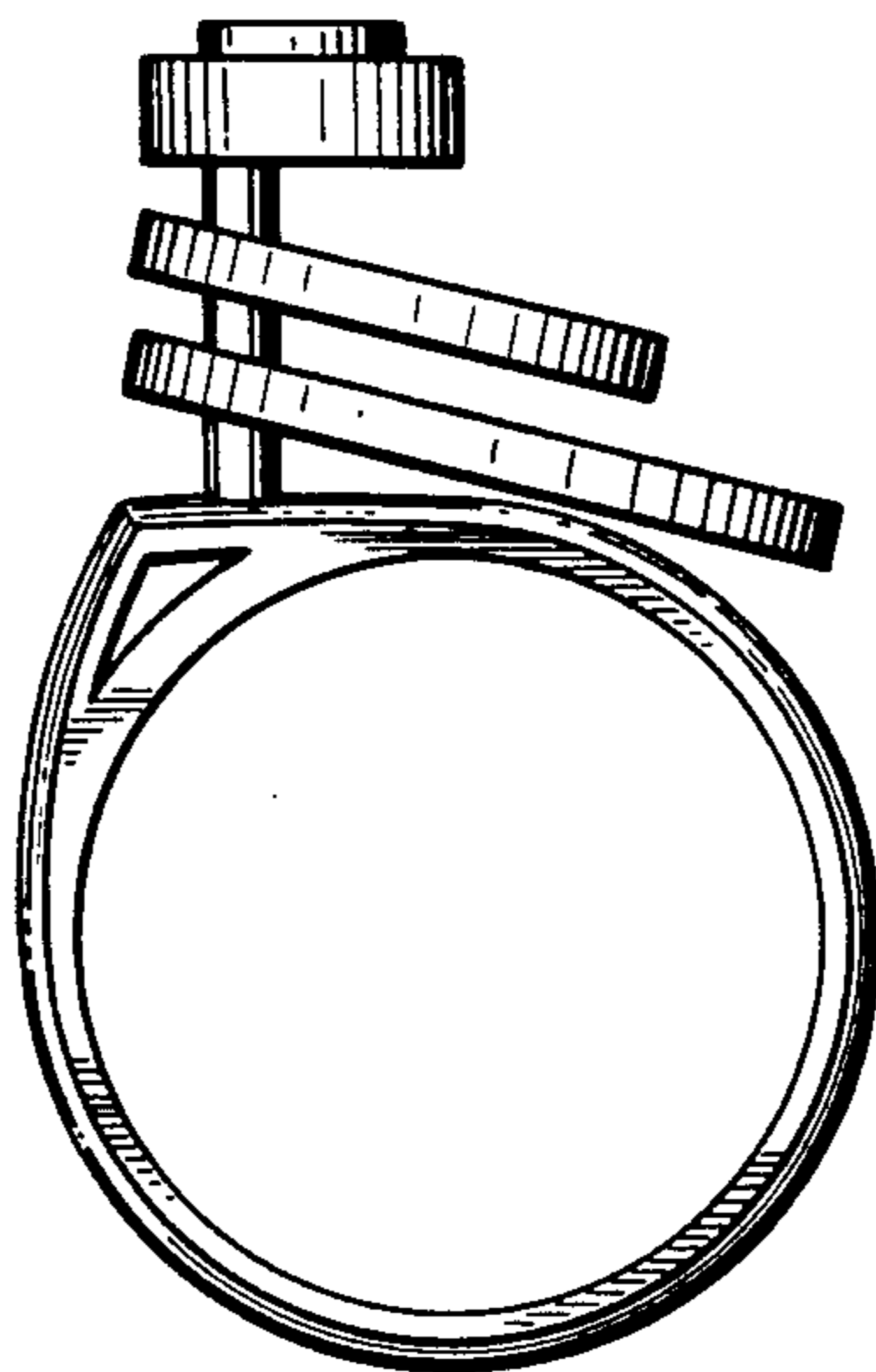
Primary Examiner—Louis S. Zarfaz
Attorney, Agent, or Firm—Charles E. Temko

[57] **CLAIM**

The ornamental design for a spinning finger ring, substantially as shown and described.

DESCRIPTION

FIG. 1 is an end elevational view of a spinning finger ring showing my new design; FIG. 2 is a top plan view thereof; FIG. 3 is a side elevational view thereof, partly in perspective, and showing certain parts in altered relative position; FIG. 4 is a bottom plan view thereof; and FIG. 5 is a side elevational view thereof, as seen from the lefthand portion of FIG. 1.



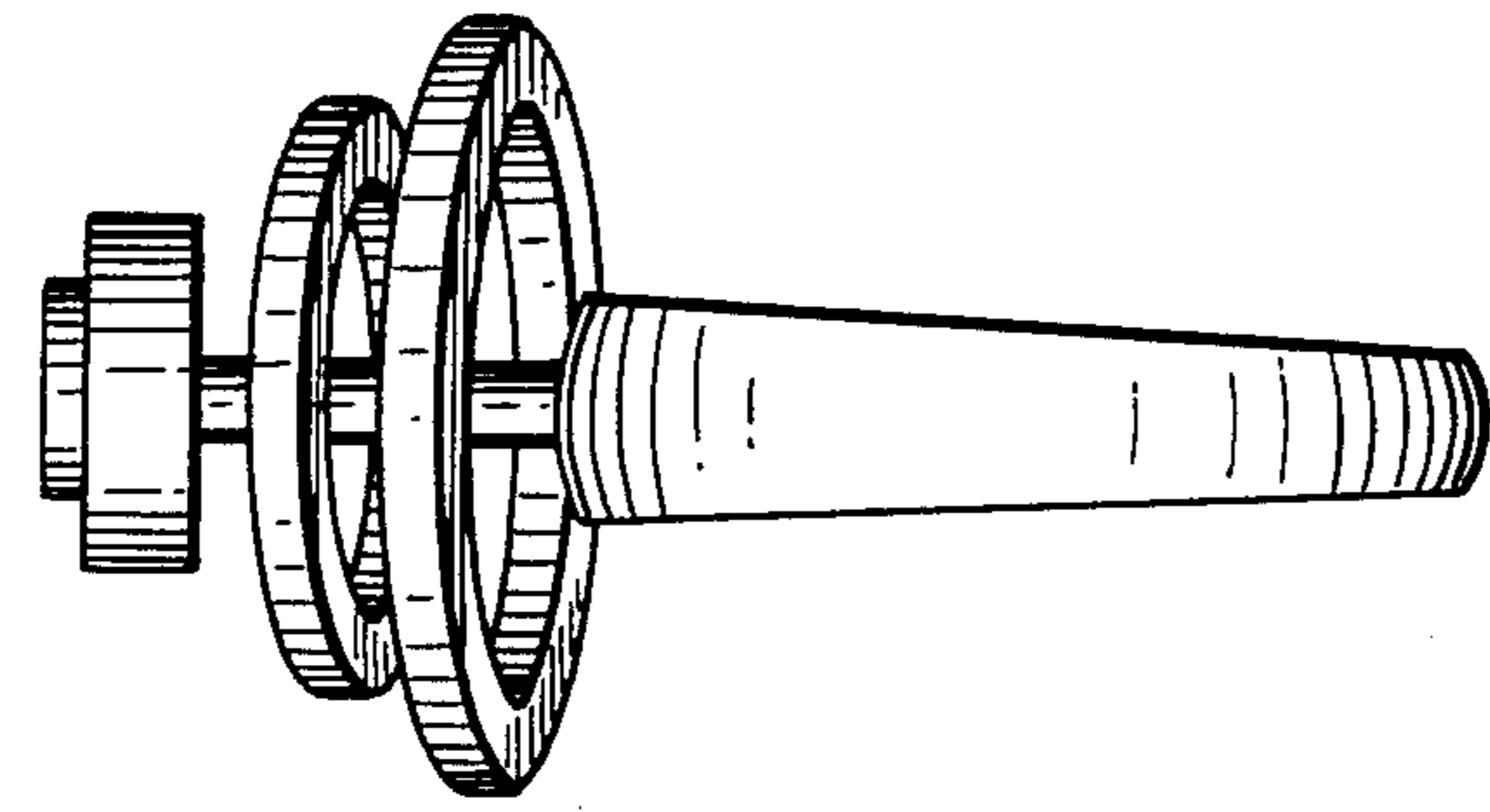


FIG. 3

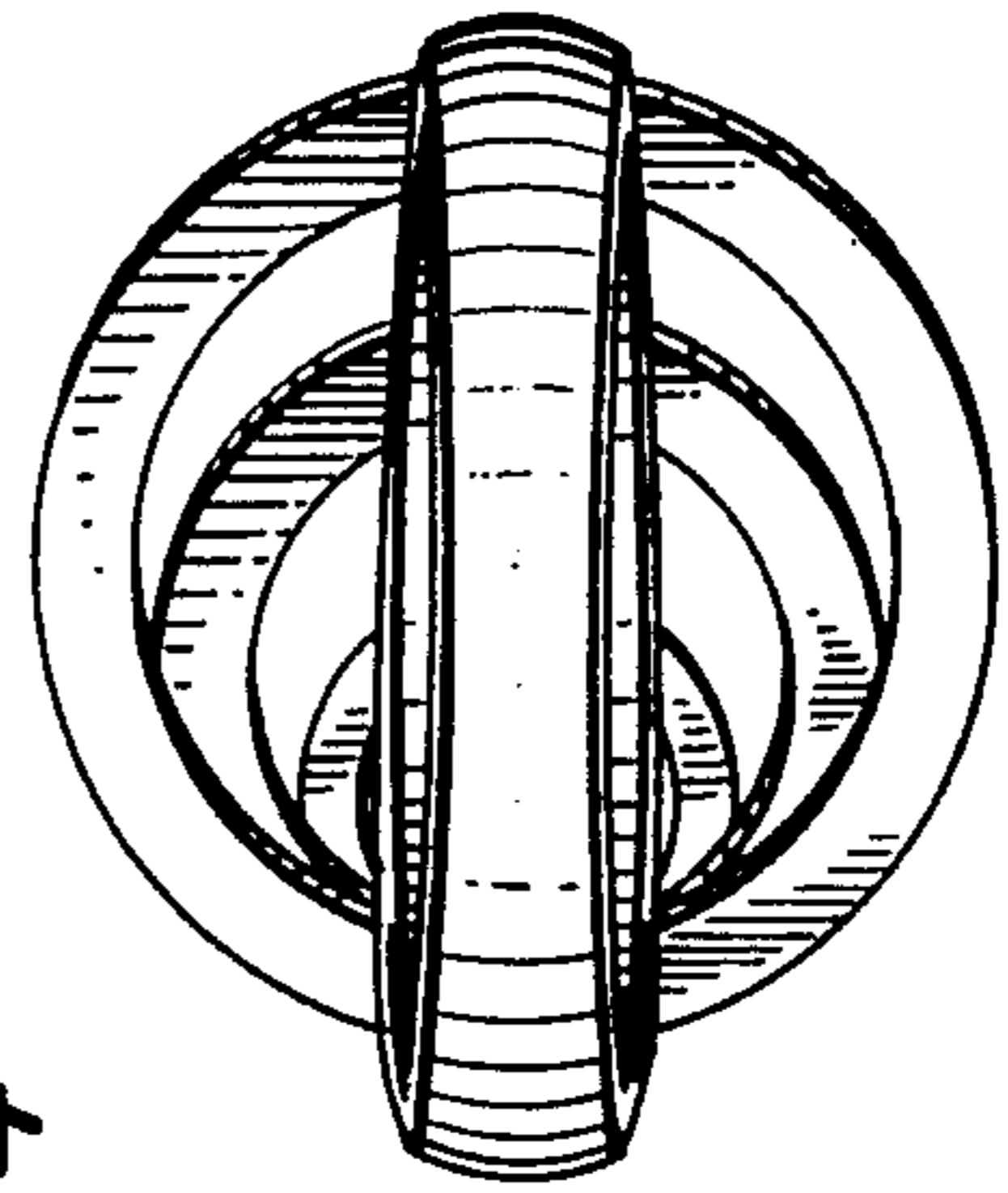


FIG. 4

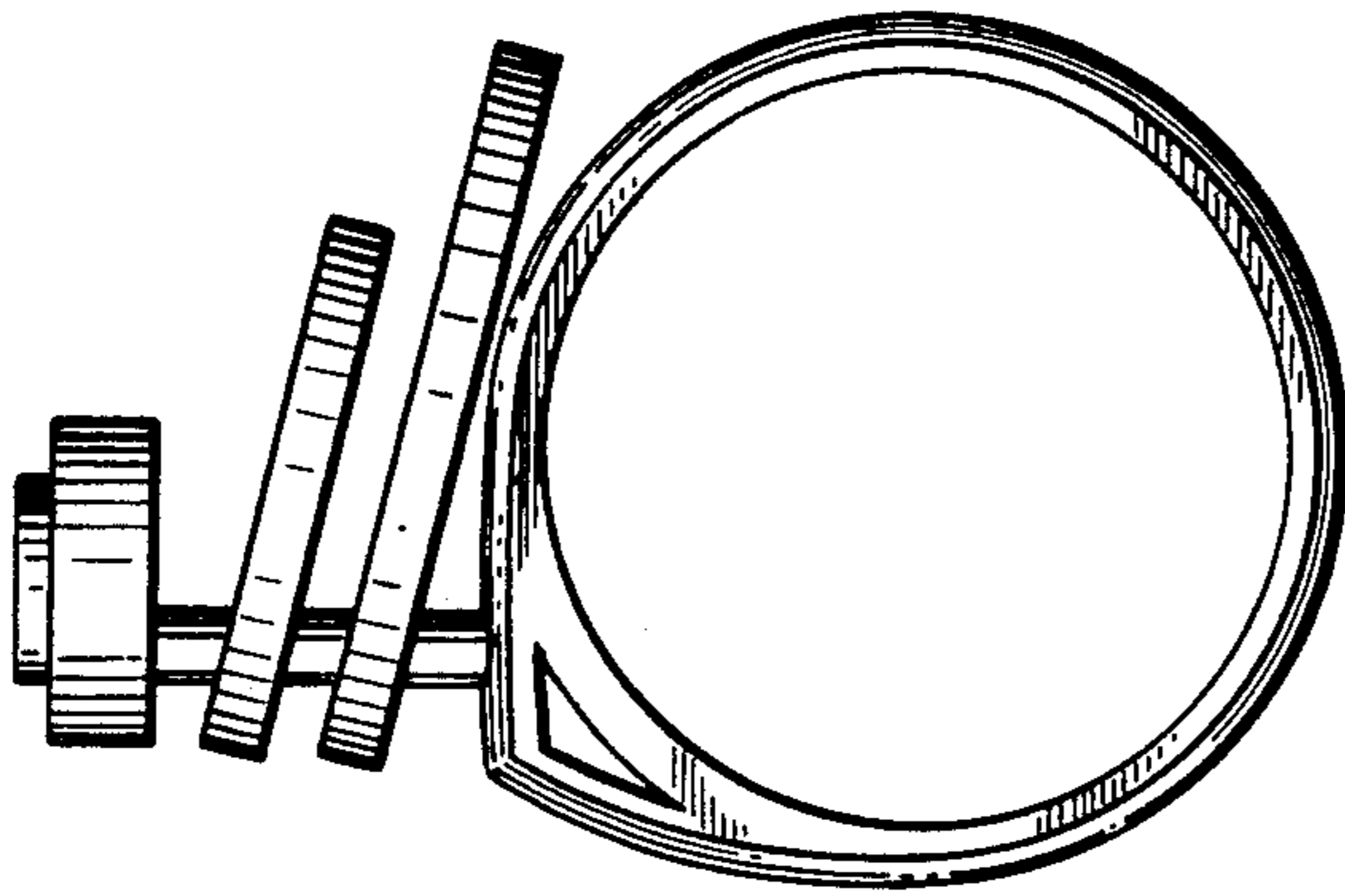


FIG. 1

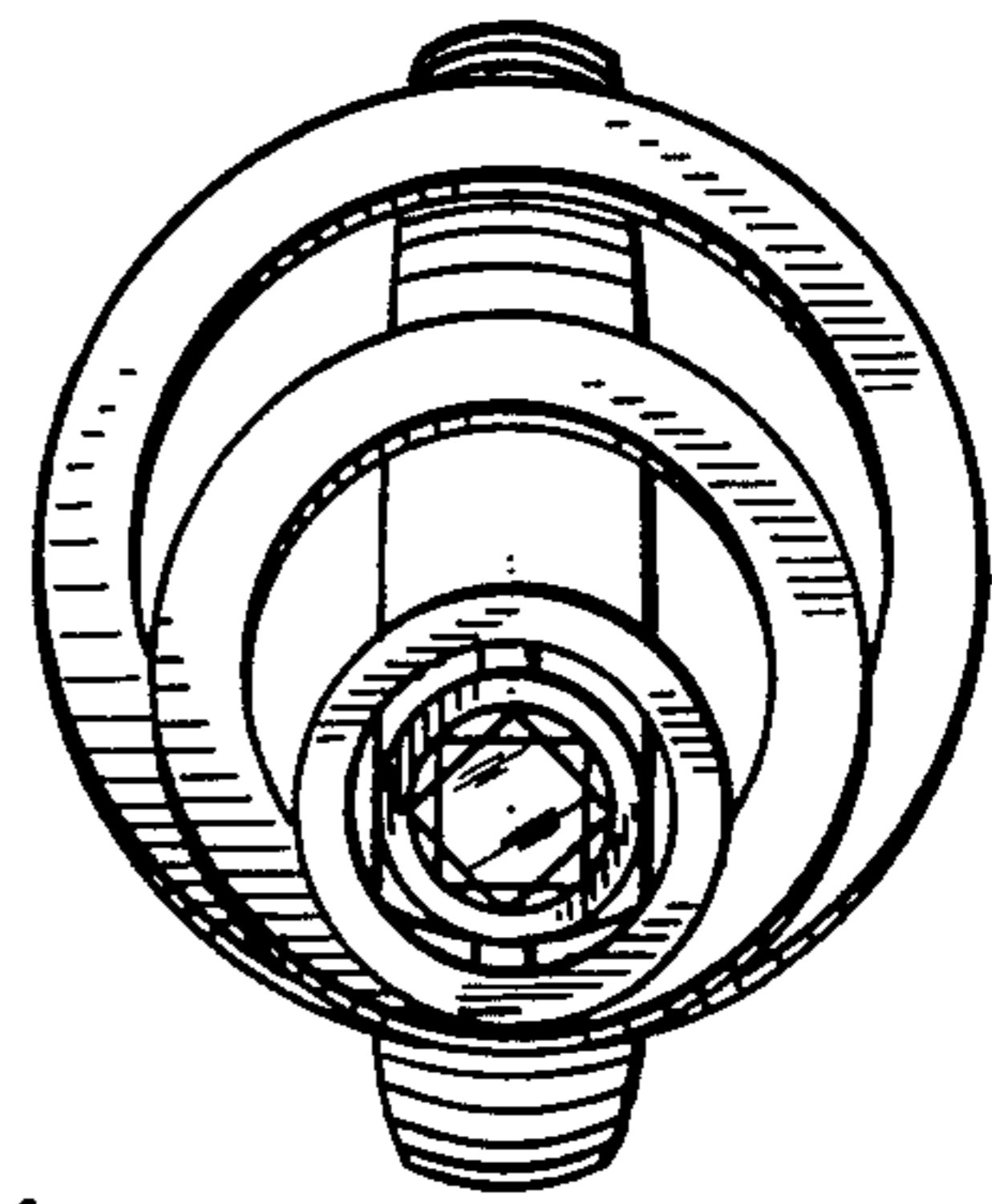


FIG. 2