

[54] **DIGITAL SLIDE CALIPER**  
 [75] Inventors: **Kozo Sibukawa; Goro Nishikata**, both of Kawasaki, Japan  
 [73] Assignee: **Mitutoyo Mfg. Co., Ltd.**, Tokyo, Japan  
 [\*\*] Term: **14 Years**  
 [21] Appl. No.: **9,546**  
 [22] Filed: **Feb. 5, 1979**

[30] **Foreign Application Priority Data**  
 Aug. 7, 1978 [JP] Japan ..... 53-33120

[51] Int. Cl. .... **D10-04**  
 [52] U.S. Cl. .... **D10/73**  
 [58] Field of Search ..... **D10/73, 70; 33/147 R, 33/147 T, 147 J, 147 F, 147 H, 147 K, 143 R, 143 J, 143 K, 143 M**

[56] **References Cited**  
**U.S. PATENT DOCUMENTS**  
 D. 207,553 5/1967 Yamamoto ..... D10/73

D. 233,787 11/1974 Uchino ..... D10/73  
 D. 235,627 7/1975 Uchino ..... D10/73  
 D. 235,628 7/1975 Nishigata ..... D10/73  
 3,945,121 3/1976 Uchino ..... 33/147 T

**OTHER PUBLICATIONS**

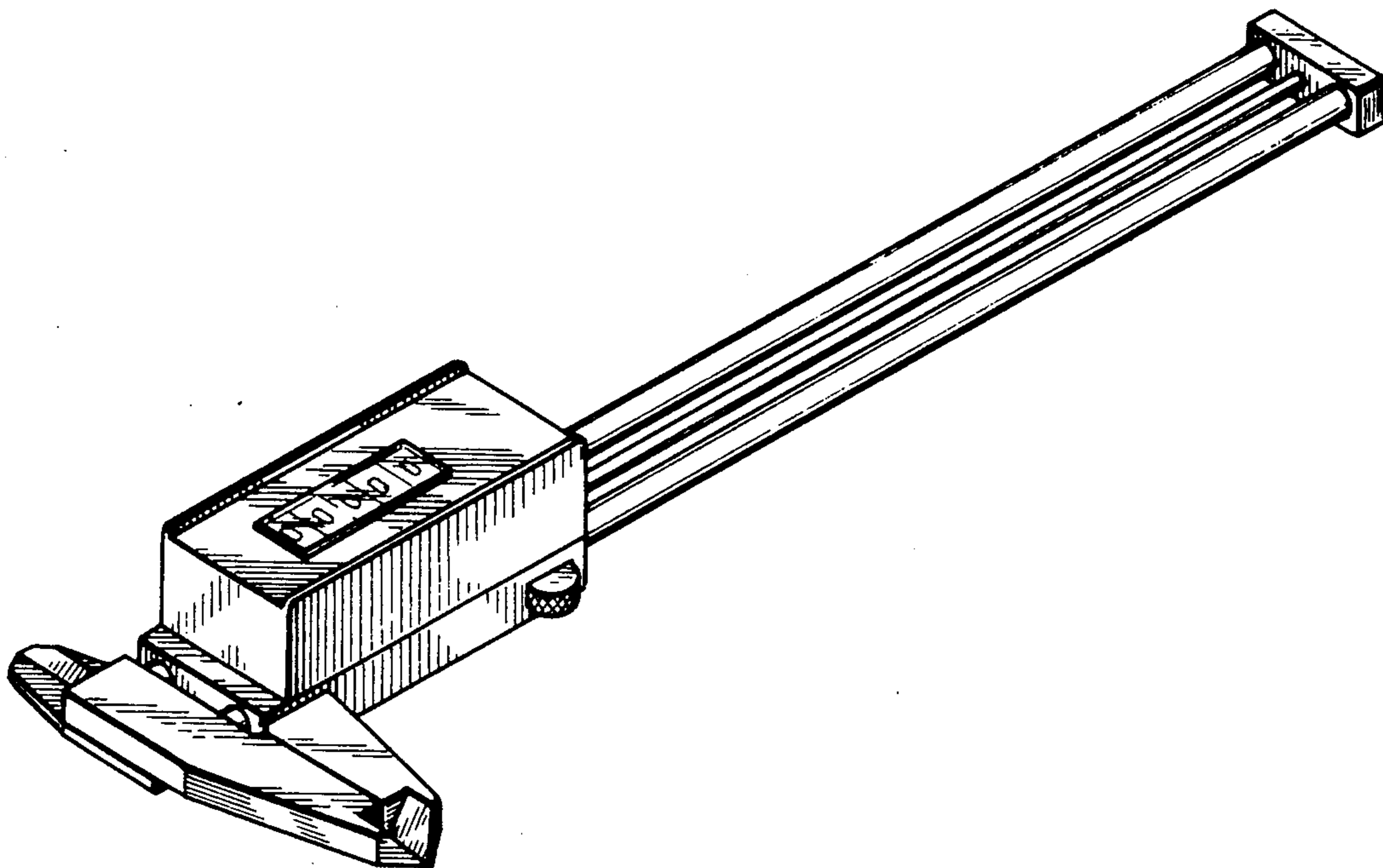
*Mitutoyo Cat. #900* —3/73, pp. 64-65, Height Gauges.  
*Primary Examiner*—Nelson C. Holtje  
*Attorney, Agent, or Firm*—William L. Androlia

[57] **CLAIM**

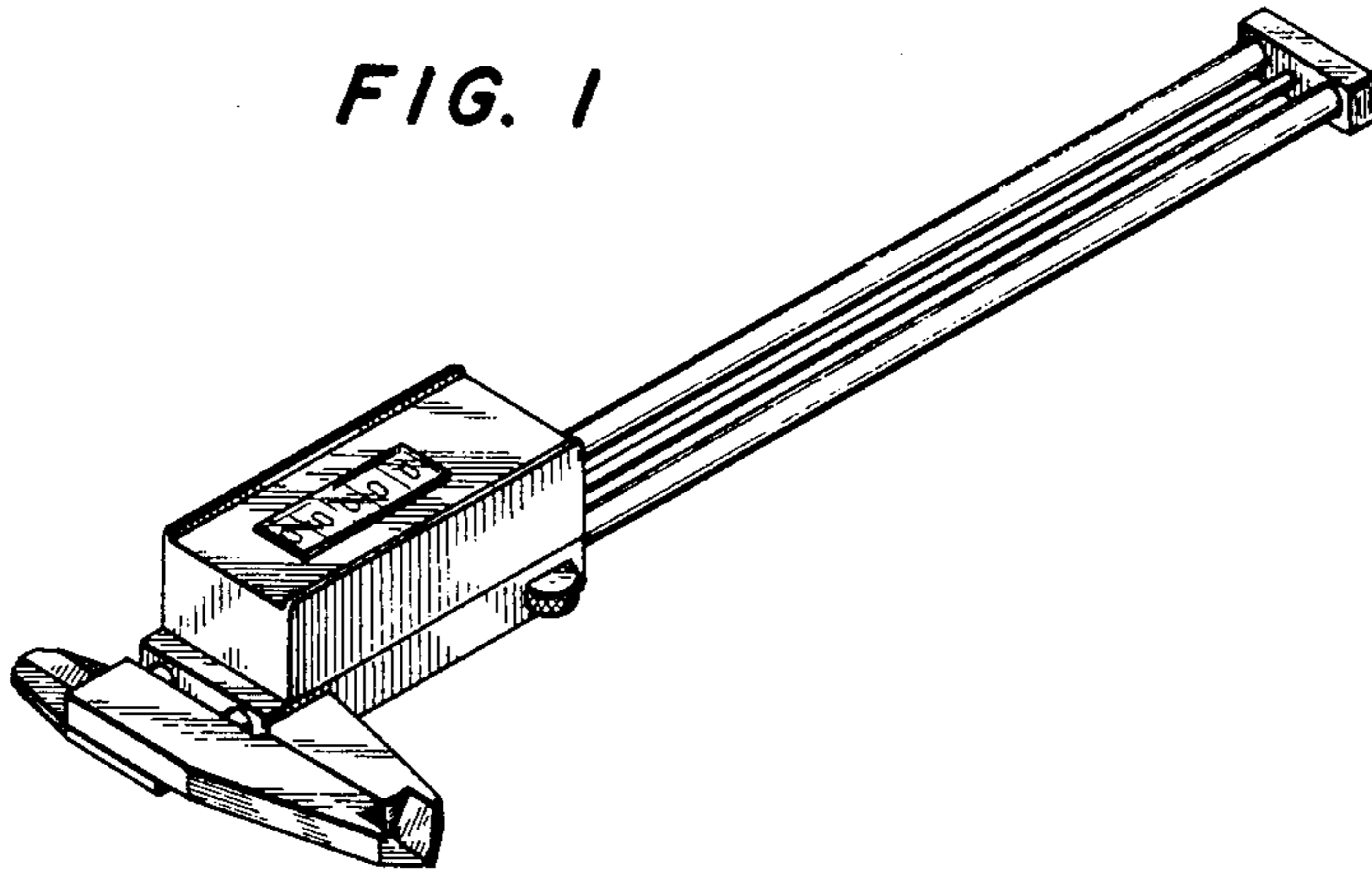
The ornamental design for a digital slide caliper, as shown and described.

**DESCRIPTION**

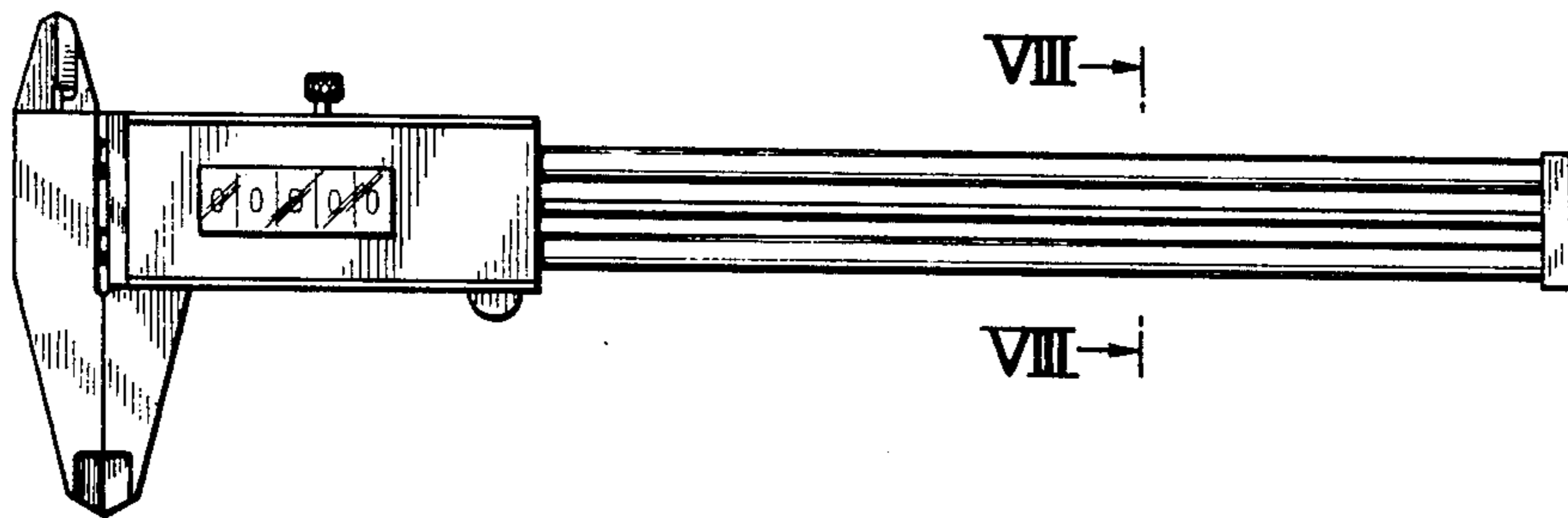
FIG. 1 is a perspective view of a digital slide caliper showing my new design;  
 FIG. 2 is a front elevational view thereof;  
 FIG. 3 is a rear elevational view thereof;  
 FIG. 4 is a top plan view thereof;  
 FIG. 5 is a bottom plan view thereof;  
 FIG. 6 is a left side elevational view thereof;  
 FIG. 7 is a right side elevational view thereof; and  
 FIG. 8 is a cross sectional view thereof taken along the line VIII—VIII of FIG. 2. -



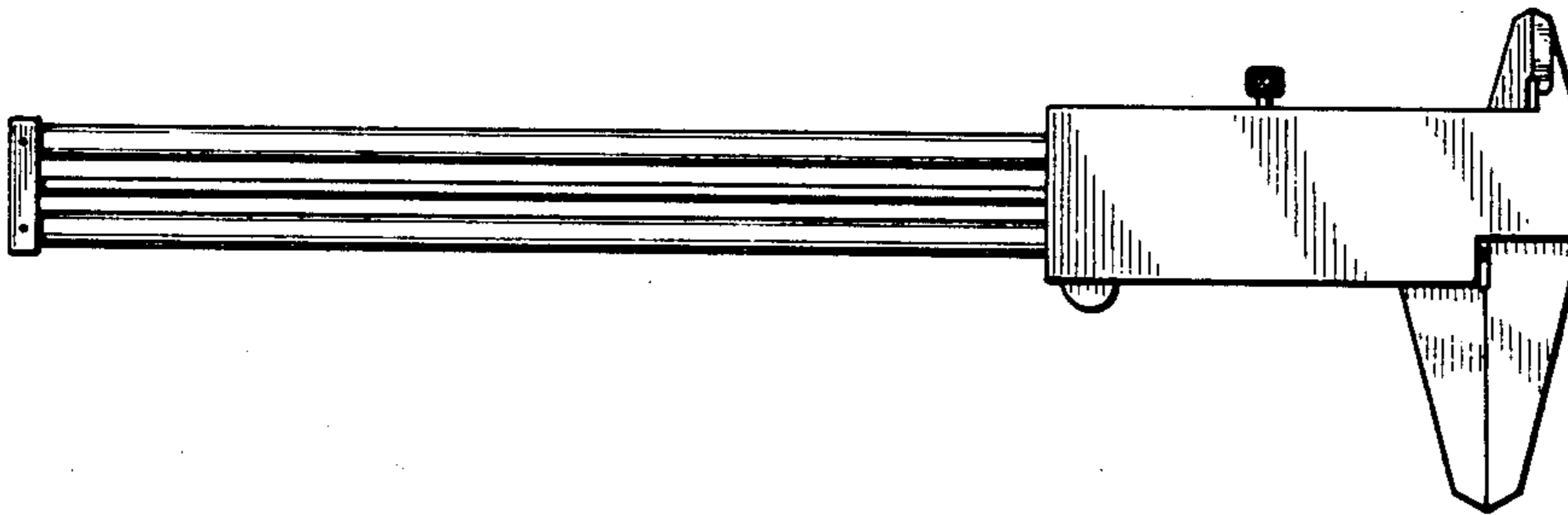
**FIG. 1**



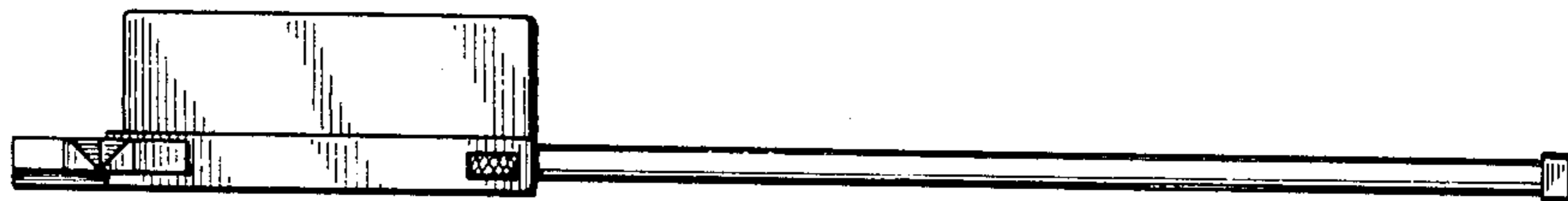
**FIG. 2**



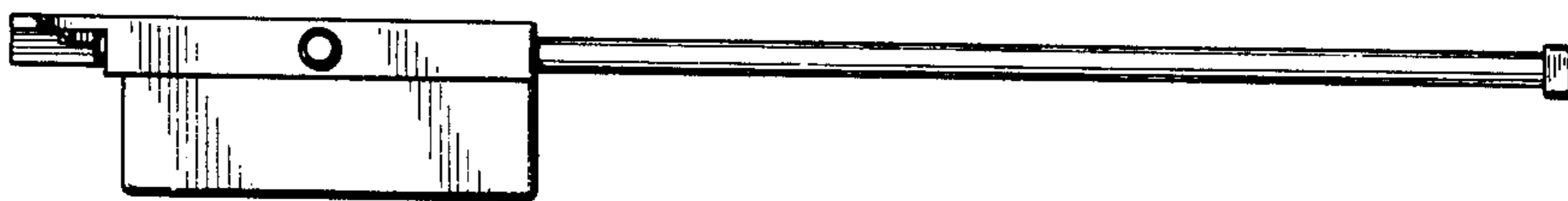
**FIG. 3**



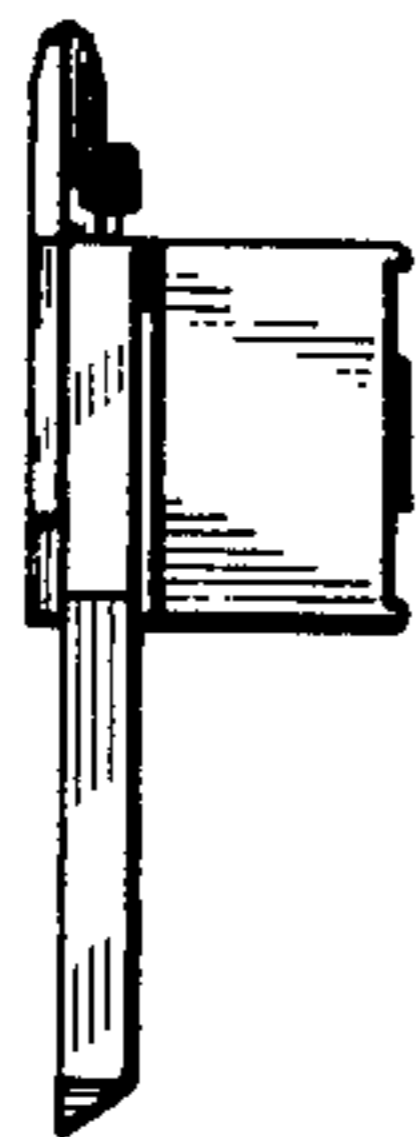
*FIG. 4*



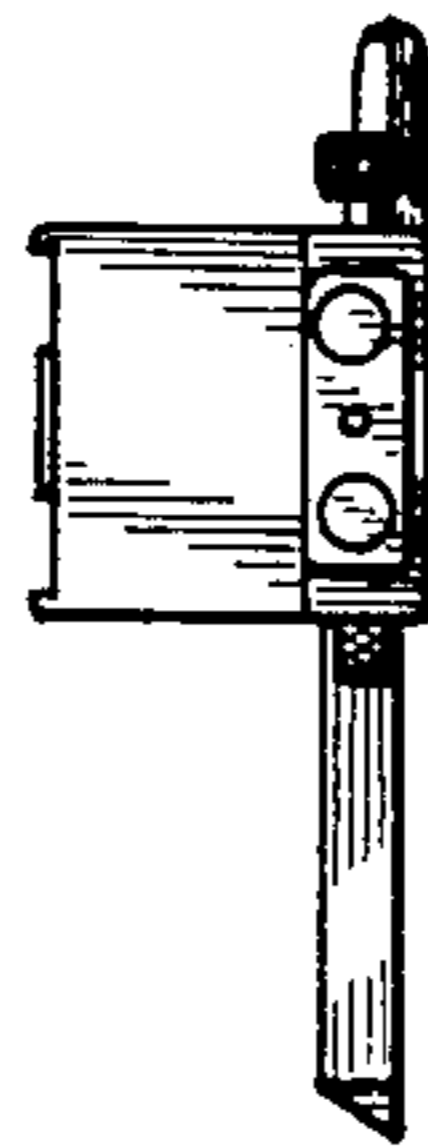
*FIG. 5*



*FIG. 6*



*FIG. 7*



*FIG. 8*

