

[54] SUNDIAL

[76] Inventor: Cecil W. Santleben, 8 Hargraves St., North Entrance, New South Wales, 2261, Australia

[**] Term: 14 Years

[21] Appl. No.: 913,255

[22] Filed: Jun. 6, 1978

[51] Int. Cl. D10-03

[52] U.S. Cl. D10/45

[58] Field of Search D10/45; 33/269, 270

[56] References Cited

U.S. PATENT DOCUMENTS

D. 40,663	4/1910	Pease	D10/6
D. 209,223	11/1967	Vuilleumier	D10/45
2,754,593	7/1956	Sunblad	D10/45 X

OTHER PUBLICATIONS

Mayalls "Sundials"—©1938, p. 22, Heliochronometer. *Sundials & More*, p. 4, Sundial at bottom.

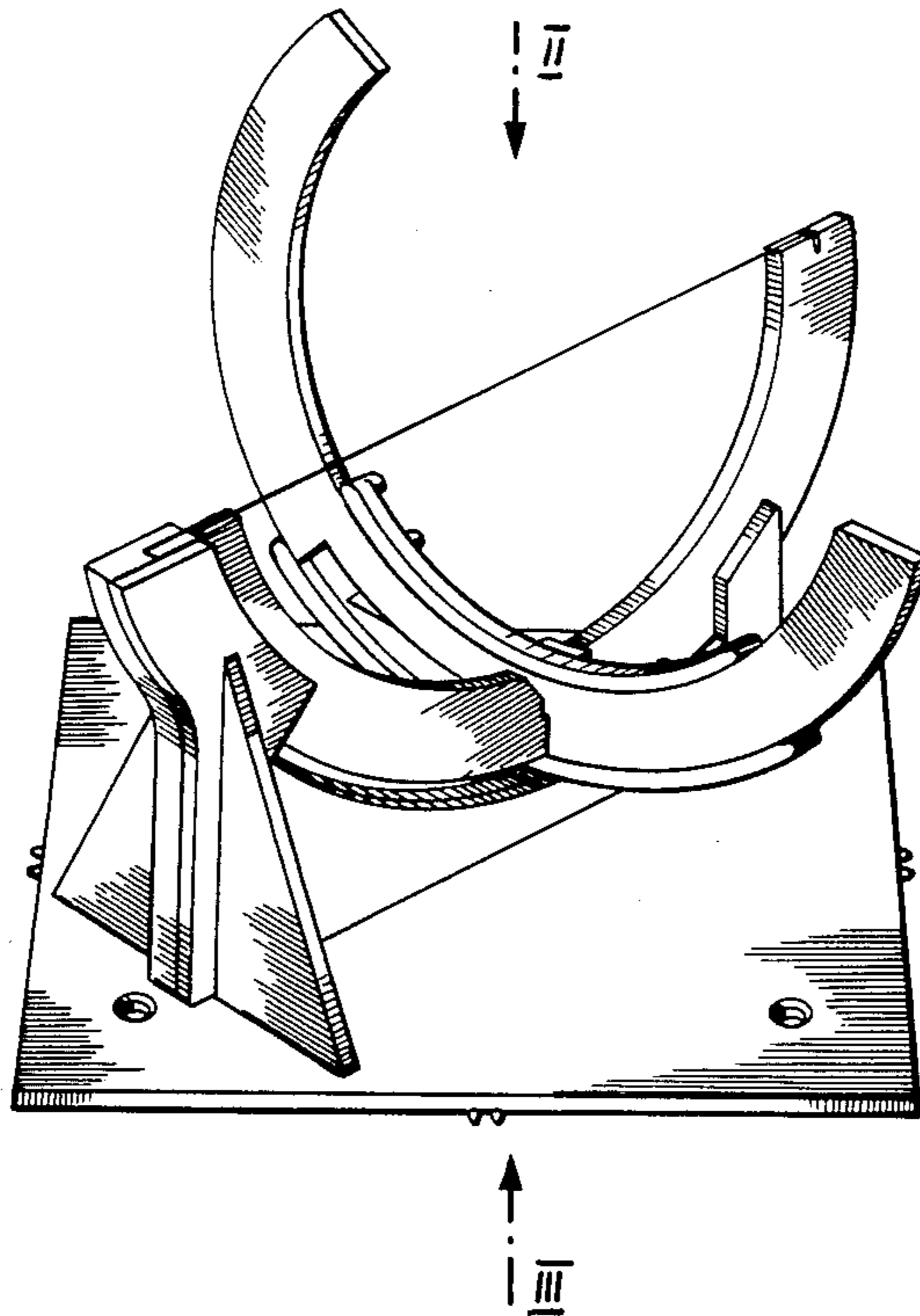
Primary Examiner—Nelson C. Holtje
Attorney, Agent, or Firm—Leonard J. Robbins

[57] CLAIM

The ornamental design for a sundial, substantially as shown.

DESCRIPTION

FIG. 1 is a perspective view of a sundial showing my new design;
 FIG. 2 is a top plan view thereof;
 FIG. 3 is an inverted plan view thereof;
 FIG. 4 is a side elevational view as taken from line IV—IV of FIG. 1;
 FIG. 5 is a side elevational view as taken from line V—V of FIG. 1;
 FIG. 6 is a side elevational view as taken from line VI—VI of FIG. 1;
 FIG. 7 is a side elevational view as taken from line VII—VII of FIG. 1.



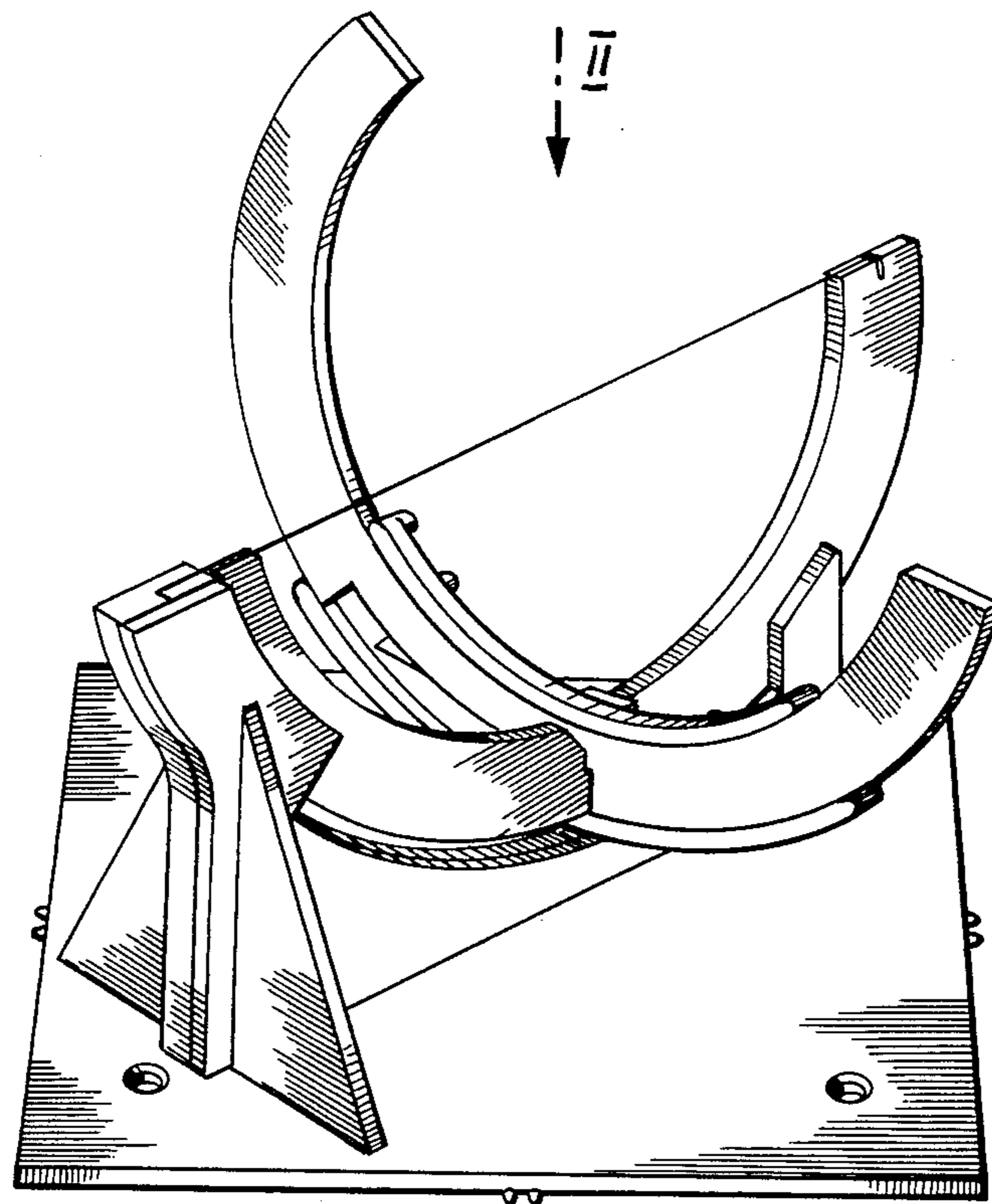


FIG. 1

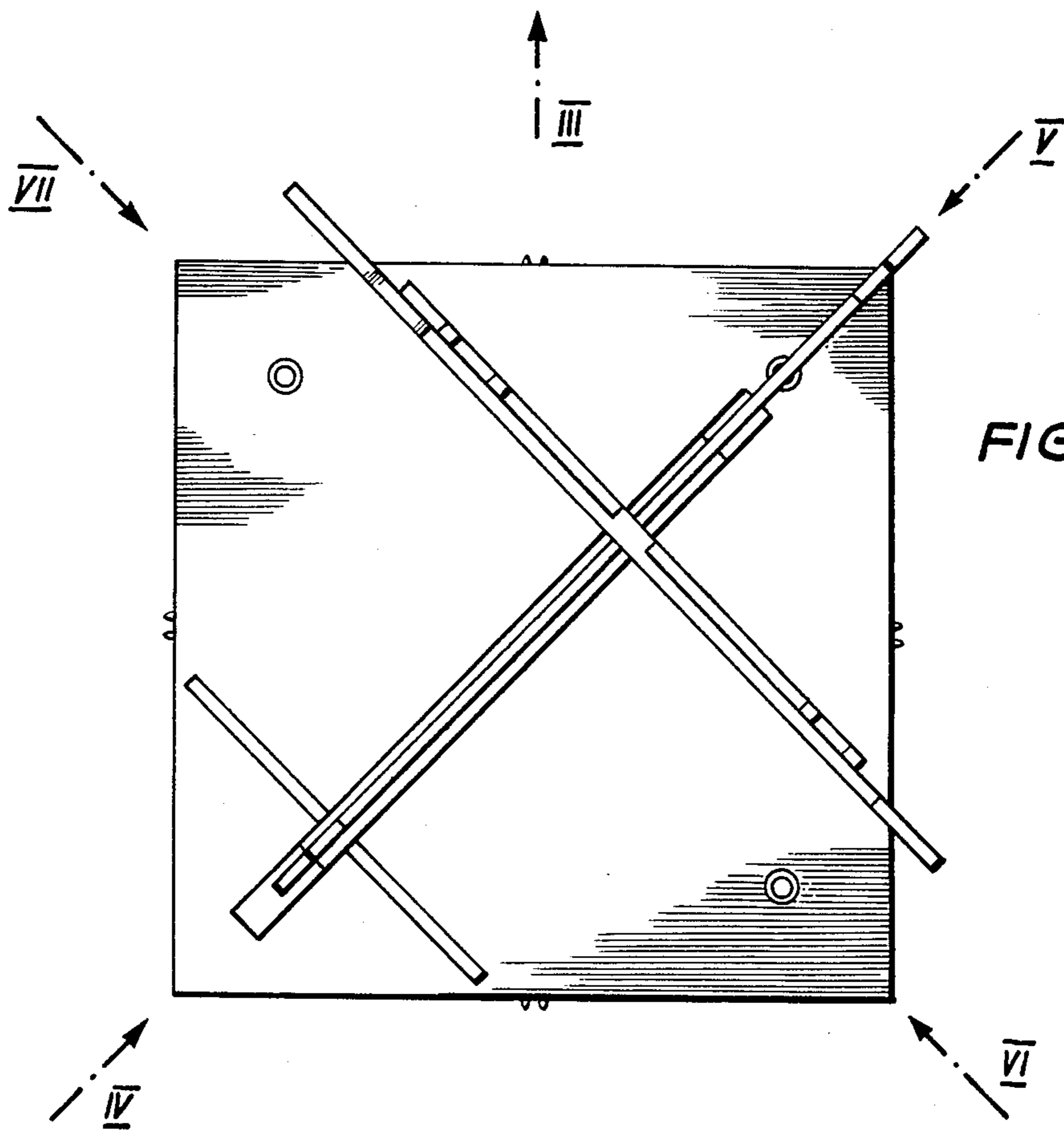


FIG. 2

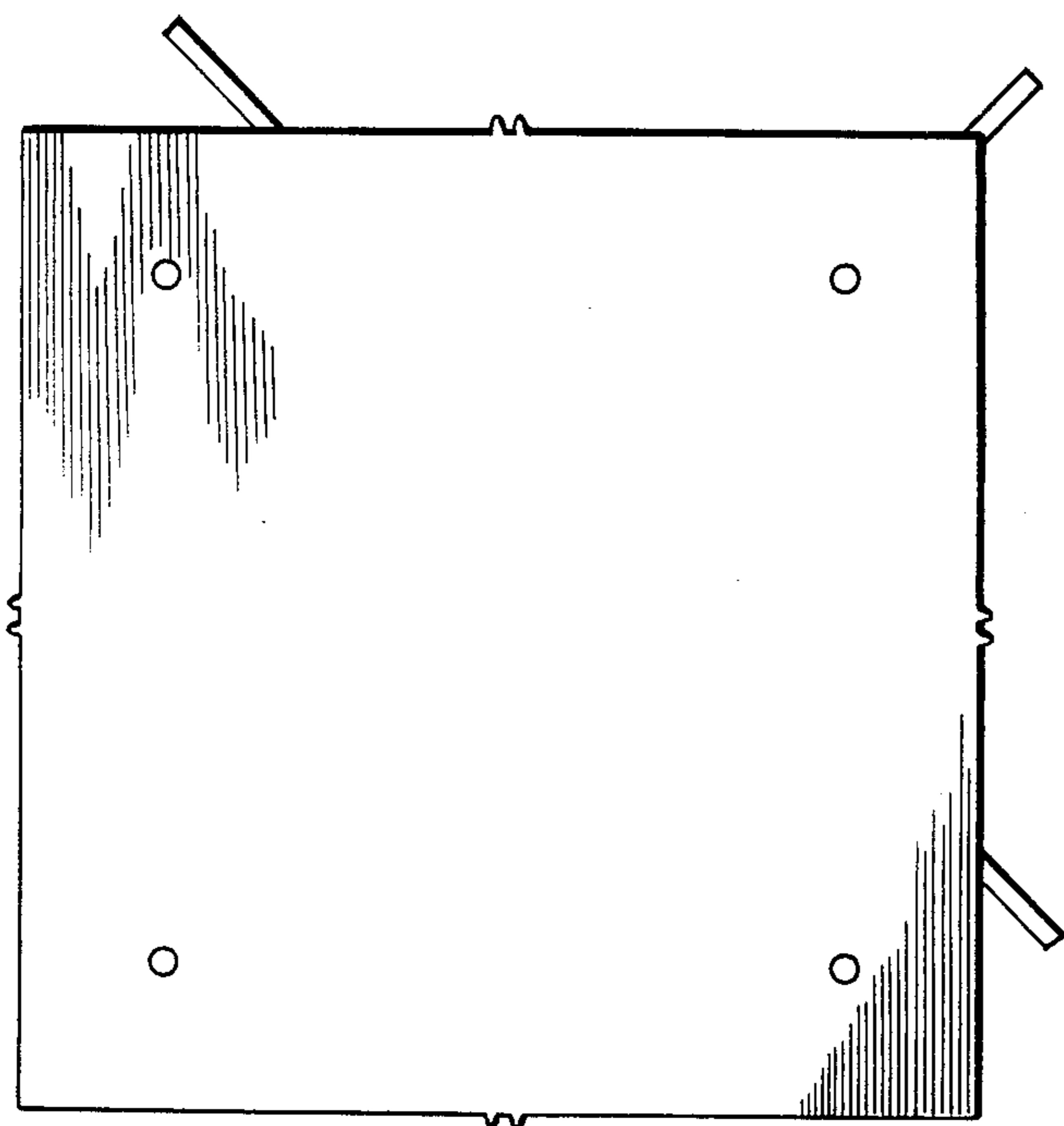


FIG. 3

FIG. 5

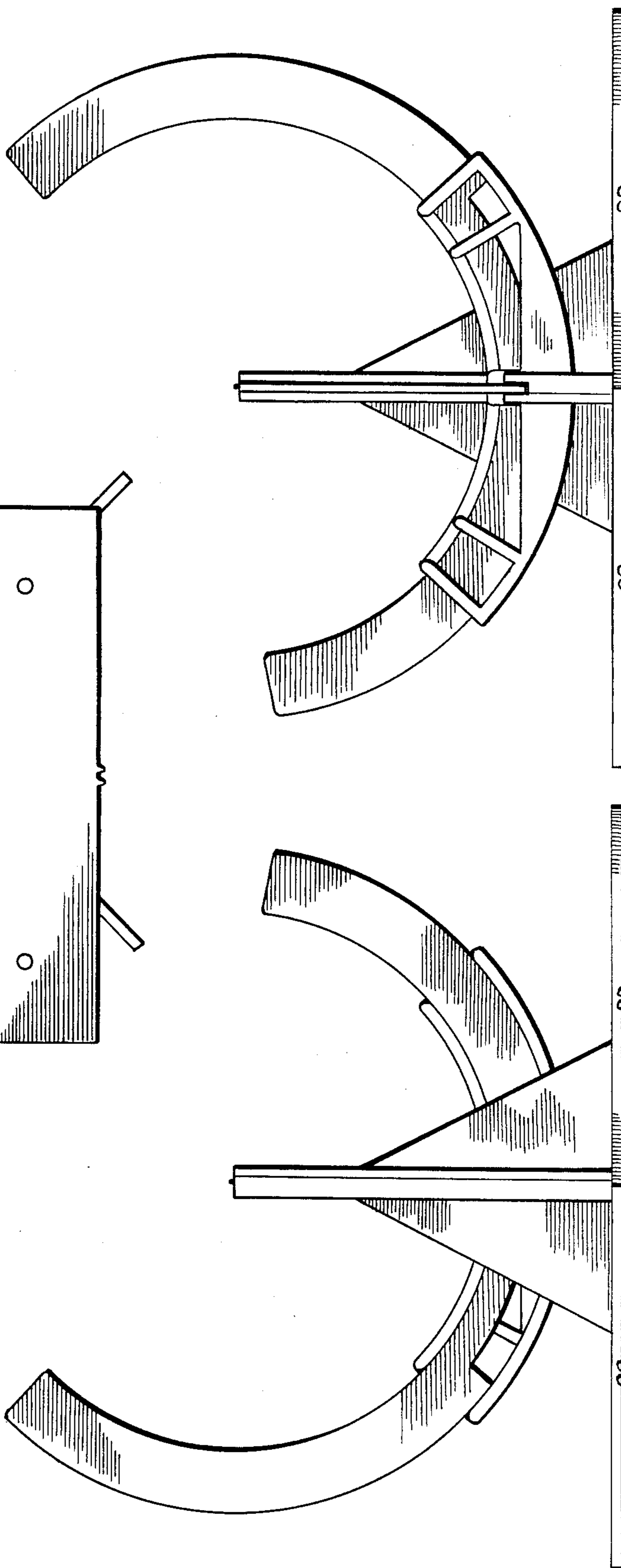


FIG. 4

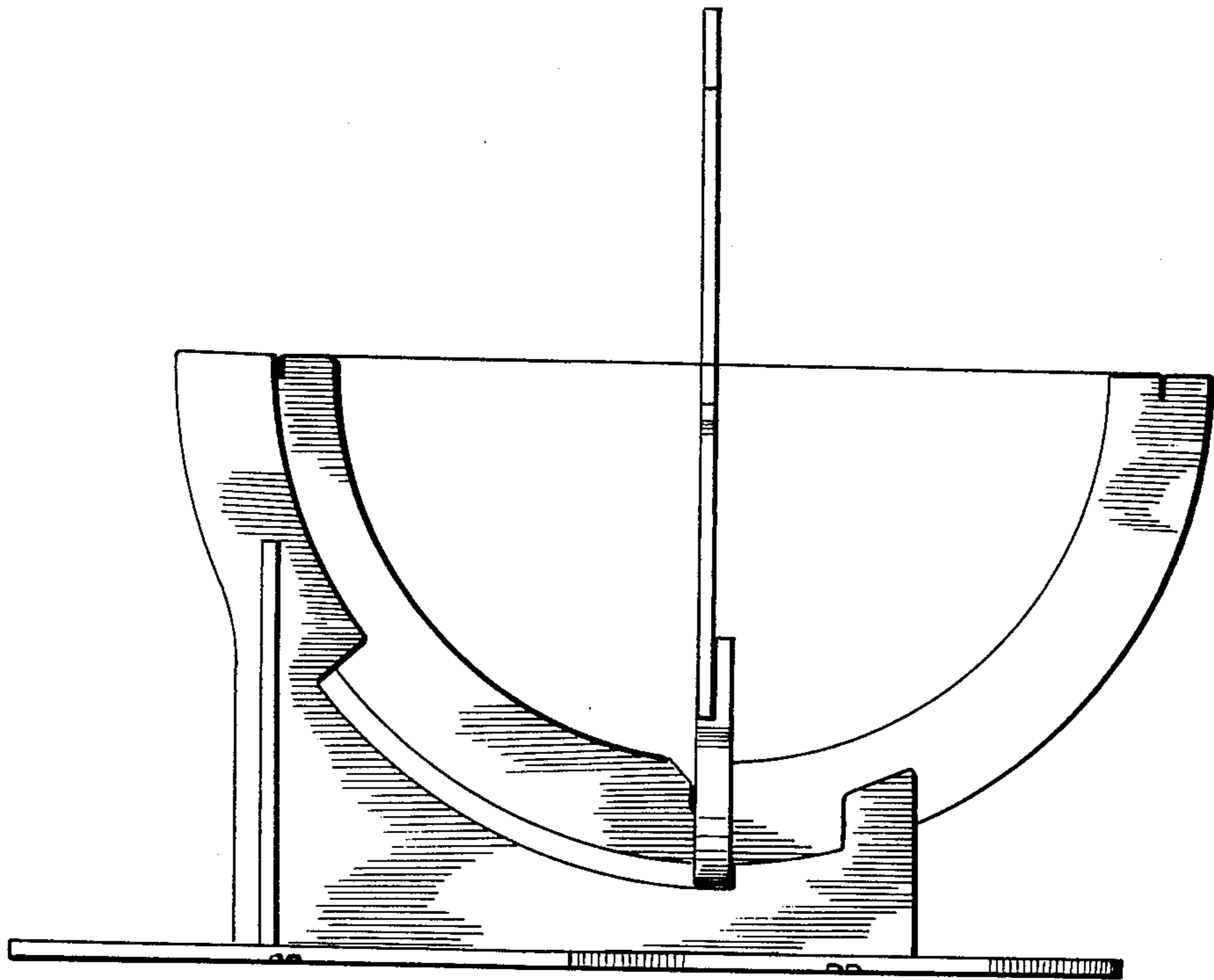


FIG. 6

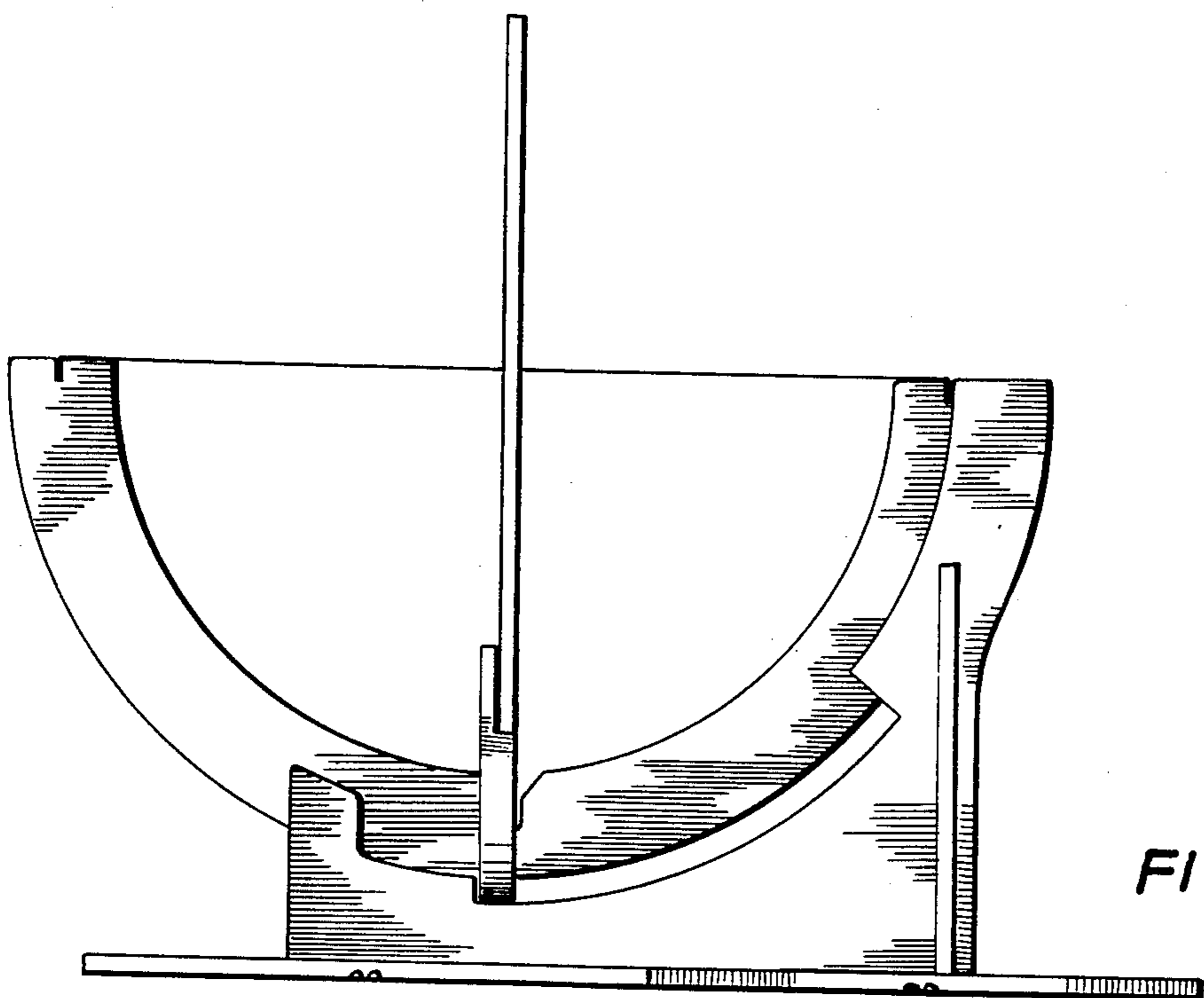


FIG. 7