

Yamagami et al.

[54] WATCH

[75] Inventors: Masafumi Yamagami; Shinichi Yokoyama, both of Osaka, Japan

[73] Assignee: Sharp Kabushiki Kaisha

[\*\*] Term: 14 Years

[21] Appl. No.: 930,736

[22] Filed: Aug. 3, 1978

[30] Foreign Application Priority Data

Feb. 15, 1978 [JP] Japan ..... 53-5463

[51] Int. Cl. .... D10-02

[52] U.S. Cl. .... D10/30; D10/37

[58] Field of Search ..... D10/30, 31, 32, 33, D10/34, 35, 36, 37, 38, 39, 40; 58/42.5, 53, 88 R, 88 G, 88 W, 88 WC, 88 E, 57, 58, 23 R, 50 R

[56]

References Cited

U.S. PATENT DOCUMENTS

D. 69,577 3/1926 Eppenstein ..... D10/37  
D. 171,391 2/1954 Elion ..... D10/37 X  
D. 235,741 7/1975 Friedman ..... D10/37 X

OTHER PUBLICATIONS

*Home Furnishings Daily*-12/22/75-Supplement by Fairchild-watch at top.  
*American Express Flyer*-9/28/75-Watches on front cover.

Primary Examiner-Nelson C. Holtje  
Attorney, Agent, or Firm-Paul D. Flehr

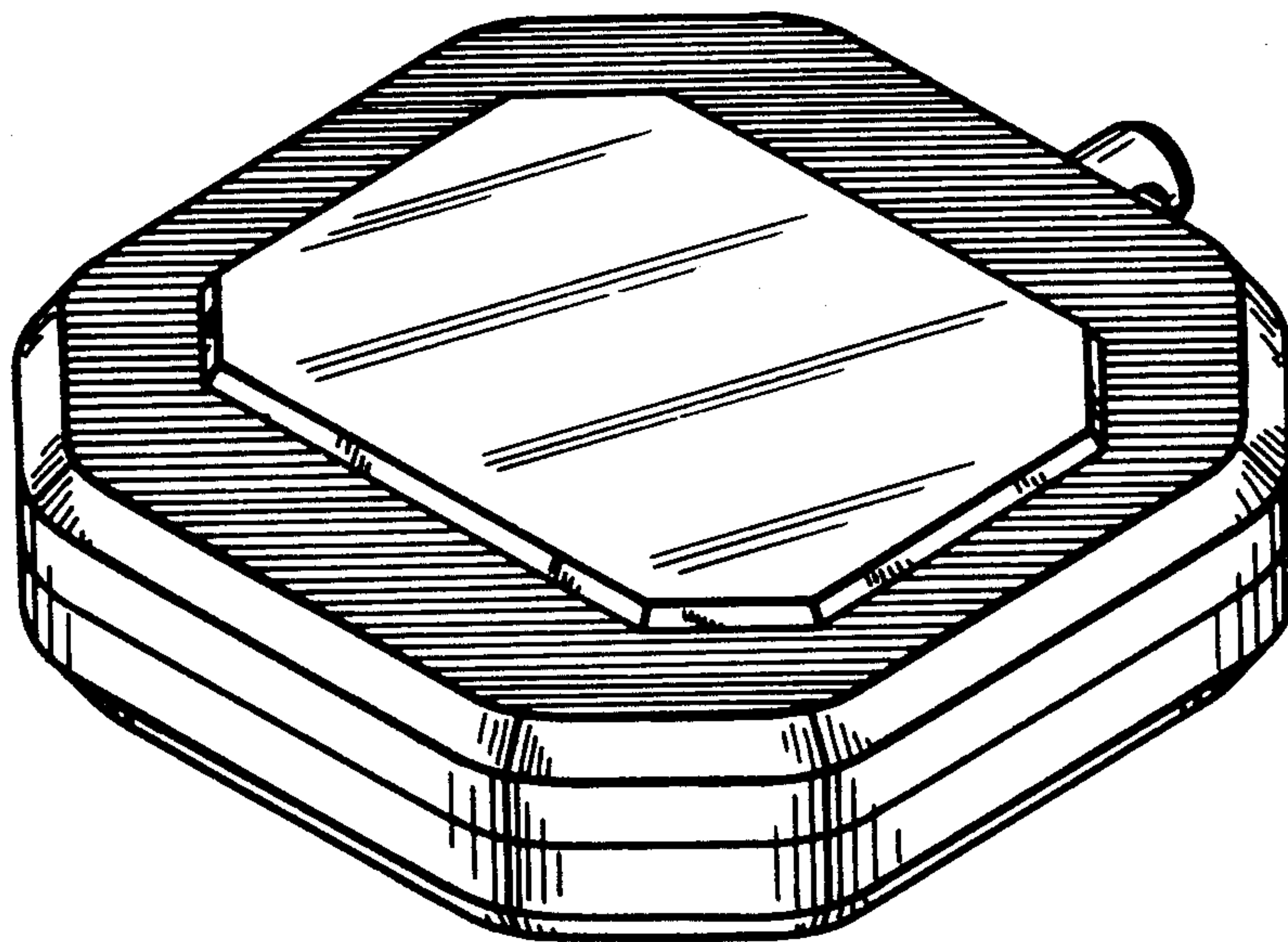
[57]

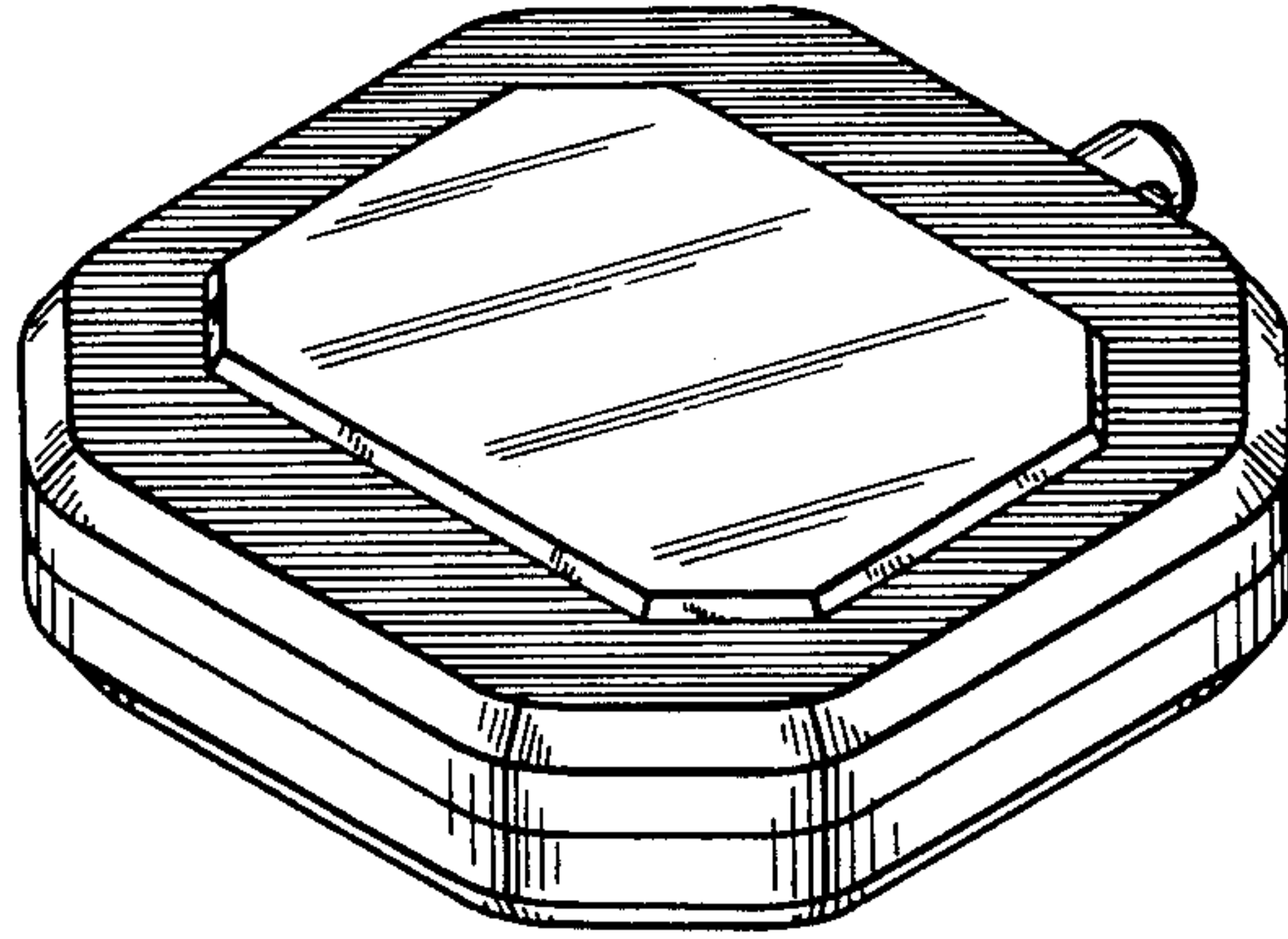
CLAIM

The ornamental design for a watch, as shown and described.

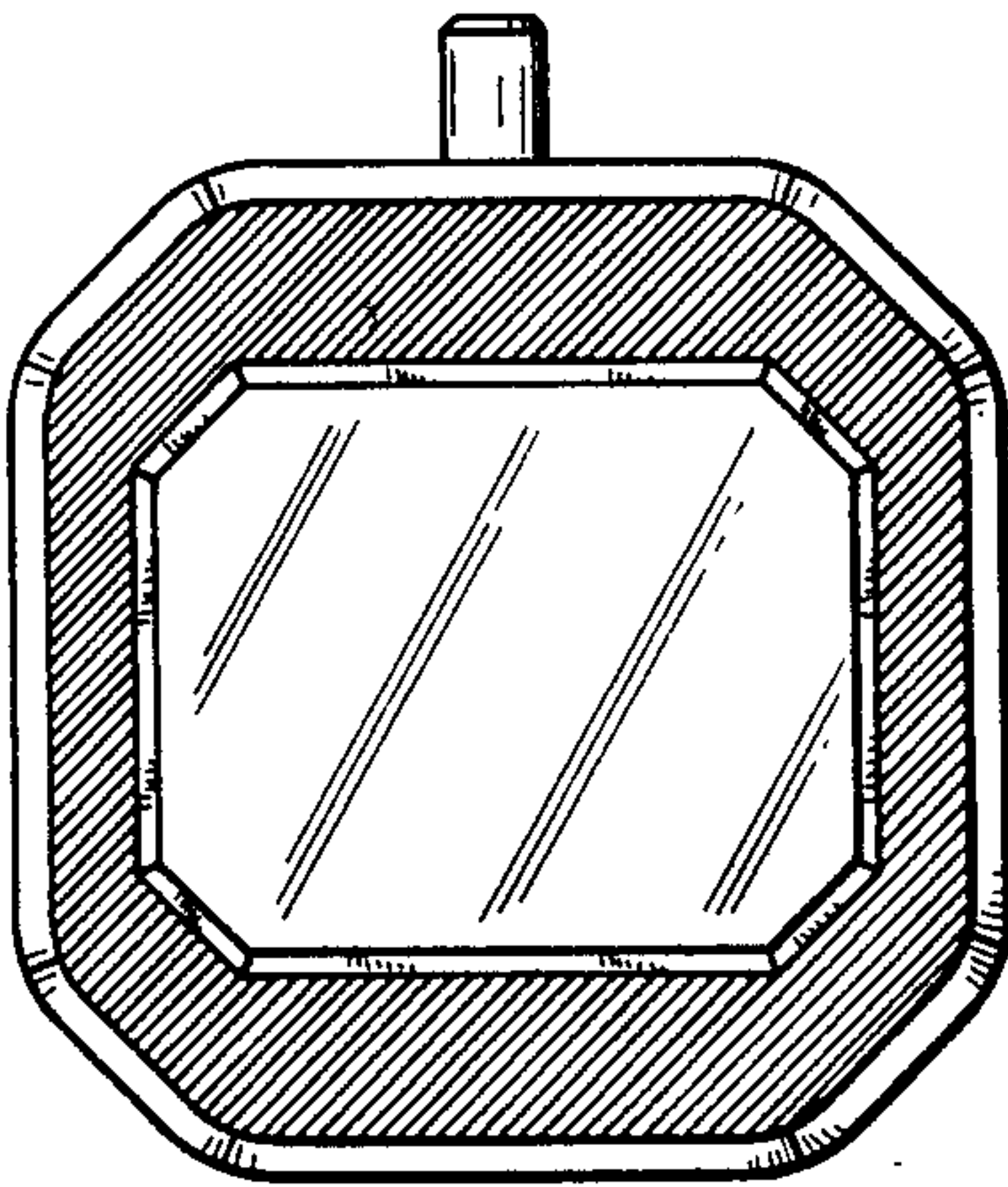
DESCRIPTION

FIG. 1 is a right front perspective view of a watch showing our new design;  
FIG. 2 is a front elevational view thereof;  
FIG. 3 is a top plan view thereof;  
FIG. 4 is a bottom plan view thereof;  
FIG. 5 is a left side elevational view thereof;  
FIG. 6 is a rear elevational view thereof.

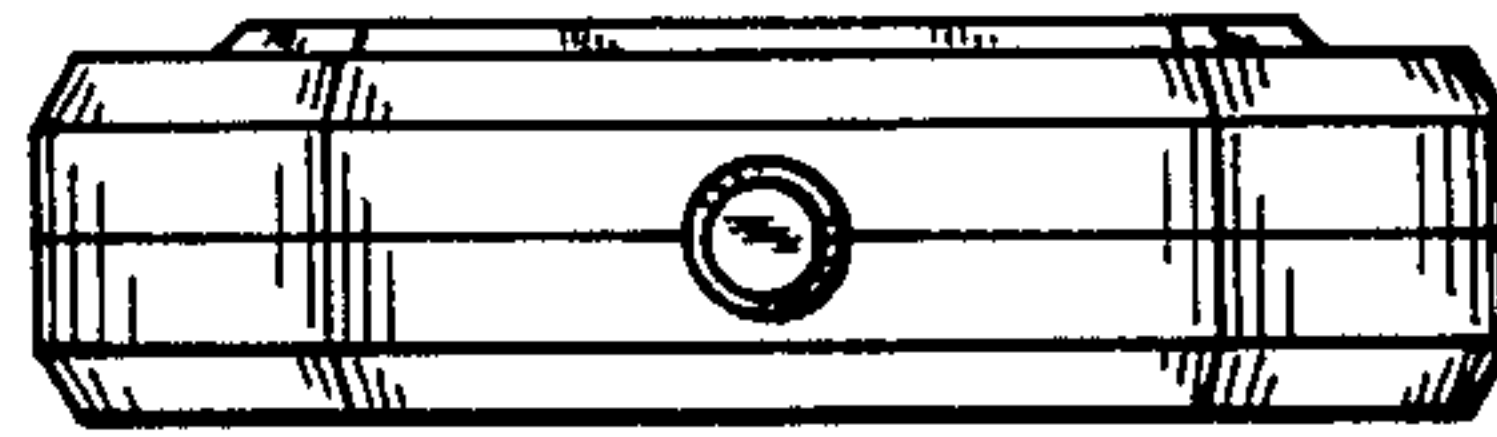




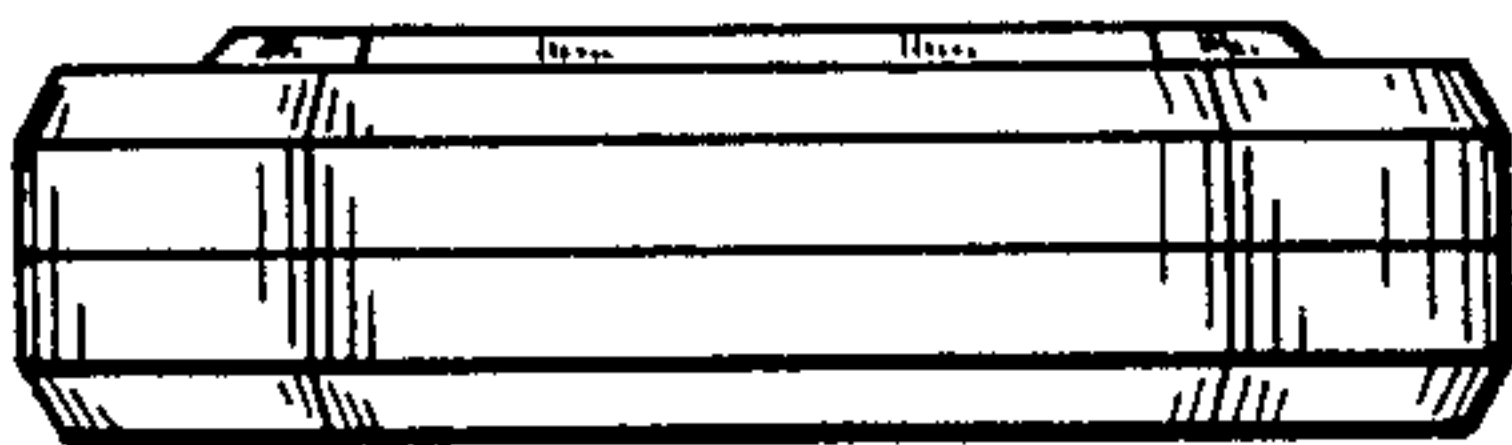
FIG\_1



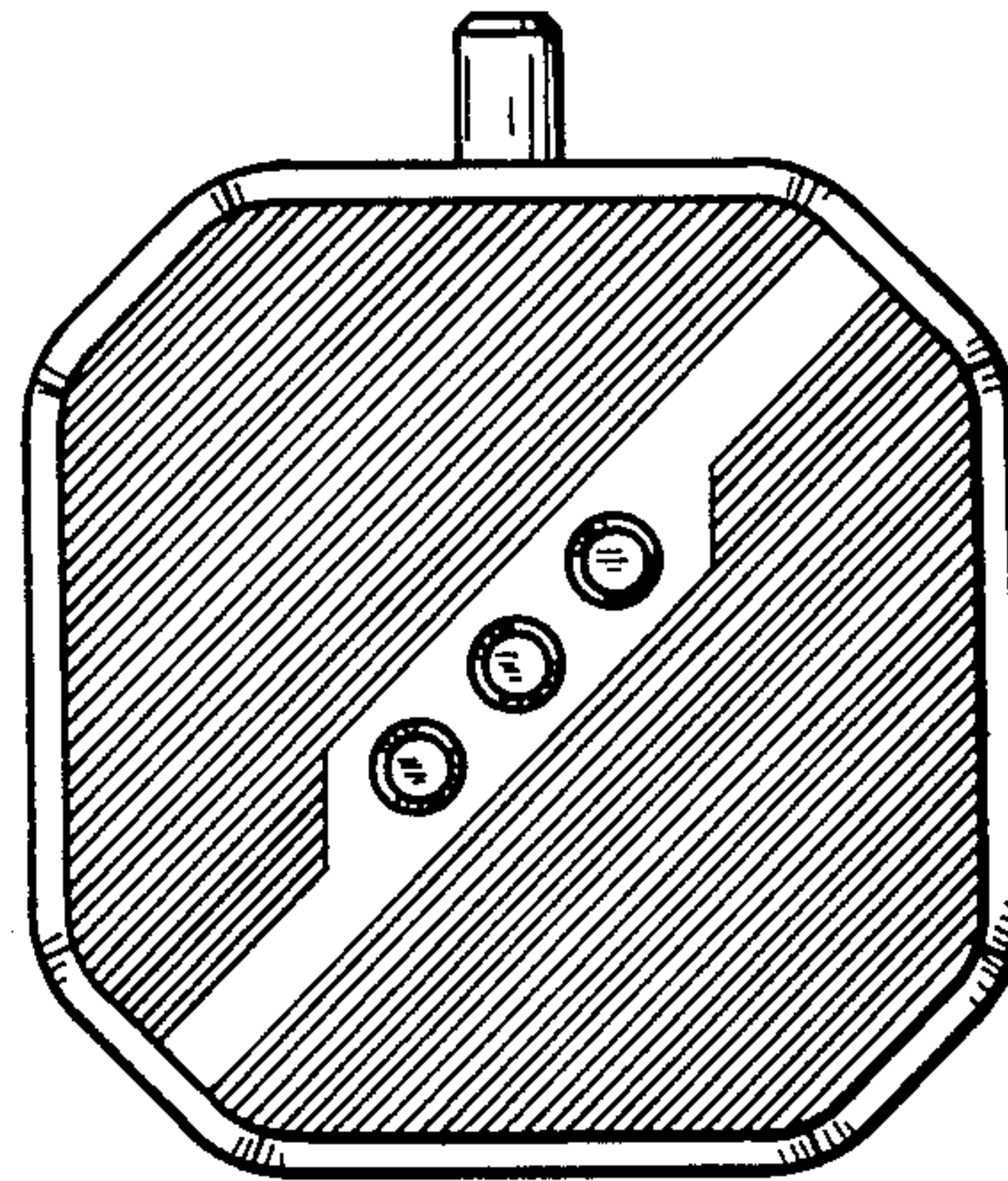
FIG\_2



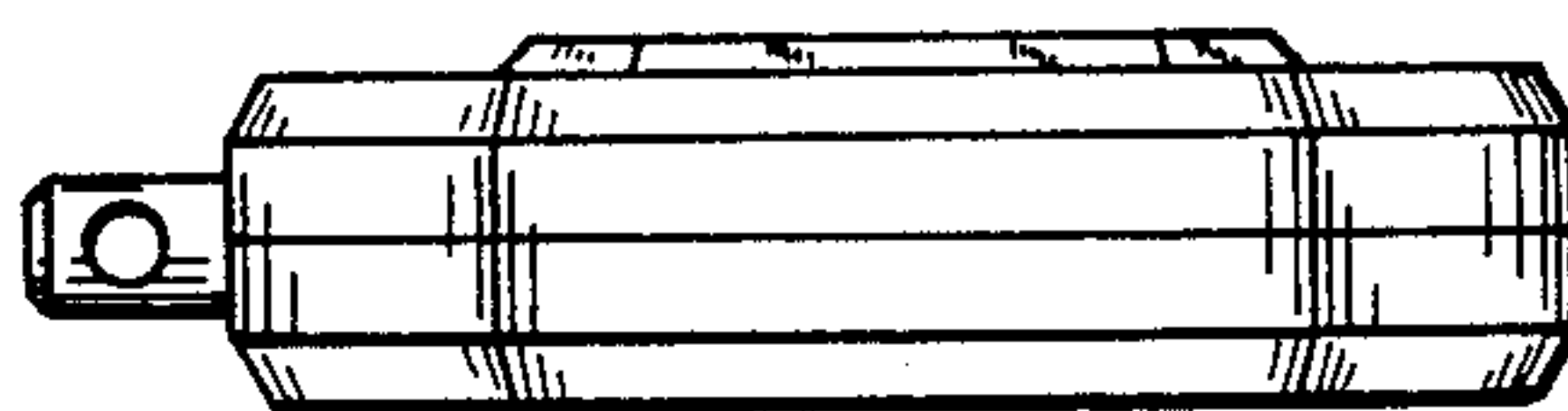
FIG\_3



FIG\_4



FIG\_6



FIG\_5