

[54] RAZOR BLADE CARTRIDGE DISPENSER

[75] Inventor: Ernest F. Kiraly, Fairfield, Conn.

[73] Assignee: Warner-Lambert Company, Morris Plains, N.J.

[**] Term: 14 Years

[21] Appl. No.: 921,914

[22] Filed: Jul. 3, 1978

[51] Int. Cl. D9-03

[52] U.S. Cl. D9/189

[58] Field of Search D9/184, 186, 187, 189, D9/242; 206/349, 352, 354, 355, 356, 480, 565

[56] References Cited

U.S. PATENT DOCUMENTS

D. 233,417 10/1974 Pomfret D9/189

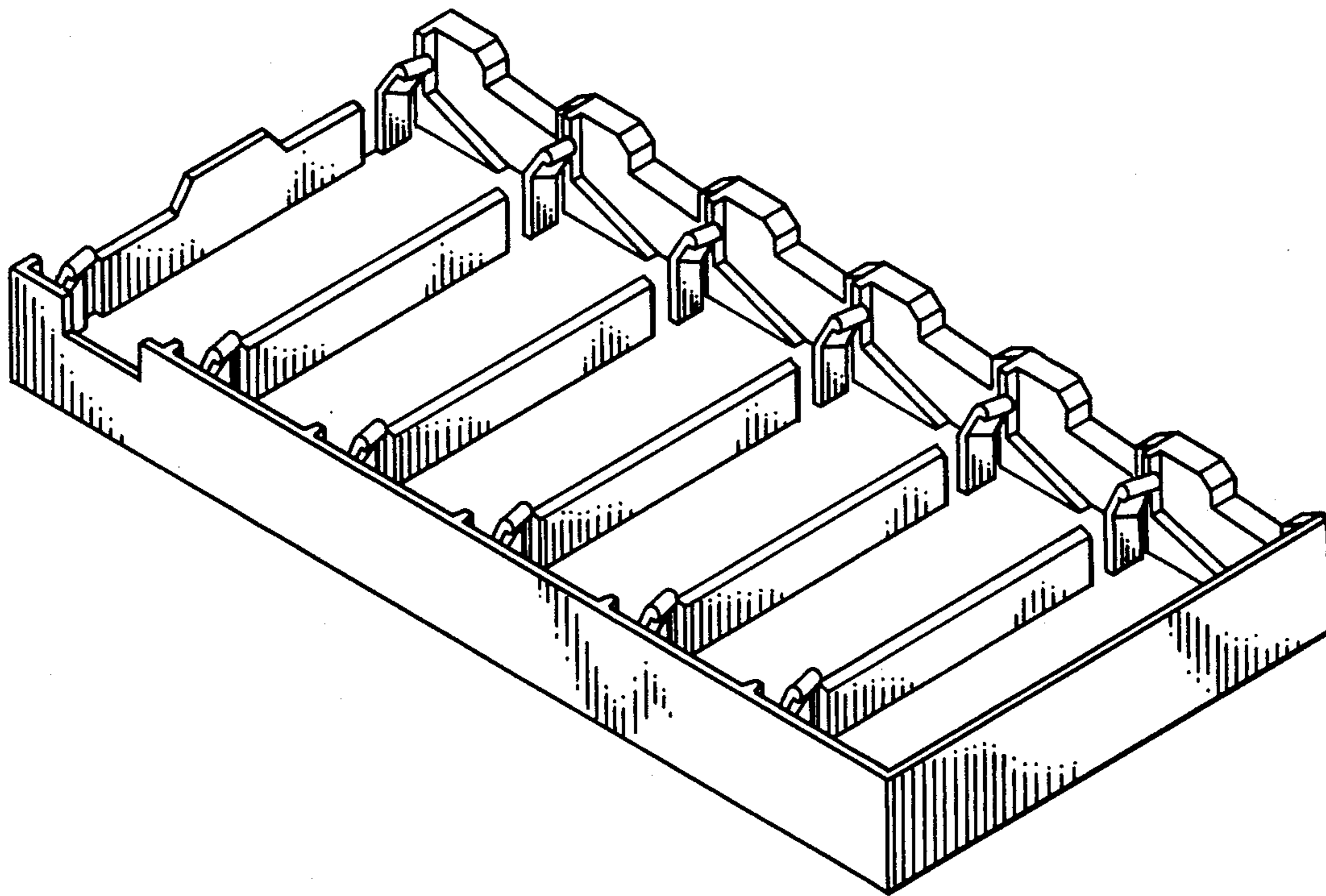
Primary Examiner—George G. Stellar
Attorney, Agent, or Firm—Albert H. Graddis

[57] CLAIM

The ornamental design for a razor blade cartridge dispenser, as shown and described.

DESCRIPTION

FIG. 1 is a perspective view of a razor blade cartridge dispenser showing my new design; FIG. 2 is a top plan view thereof, the bottom being plain and unornamented; and FIG. 3 is a side elevational view thereof.



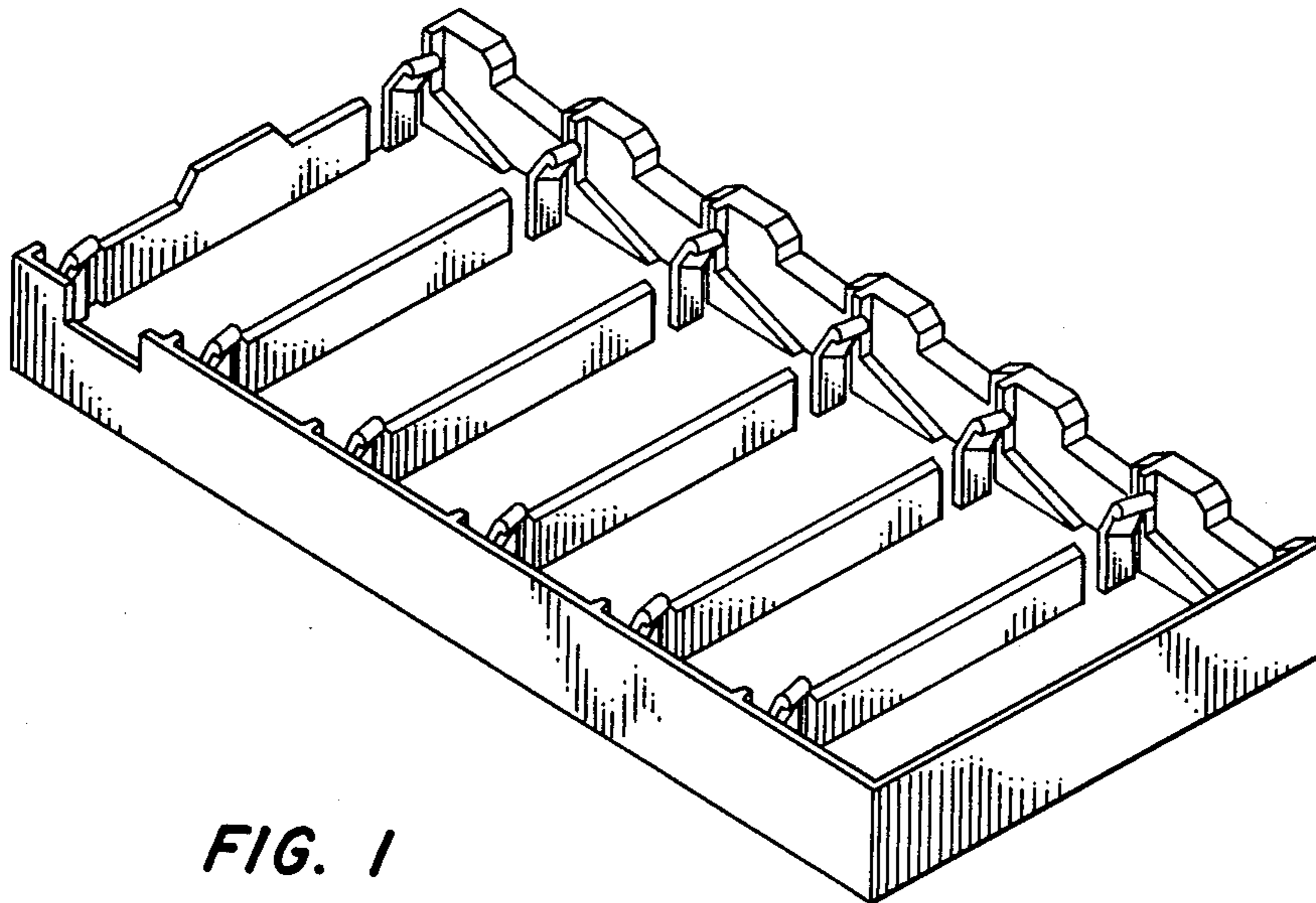


FIG. 1

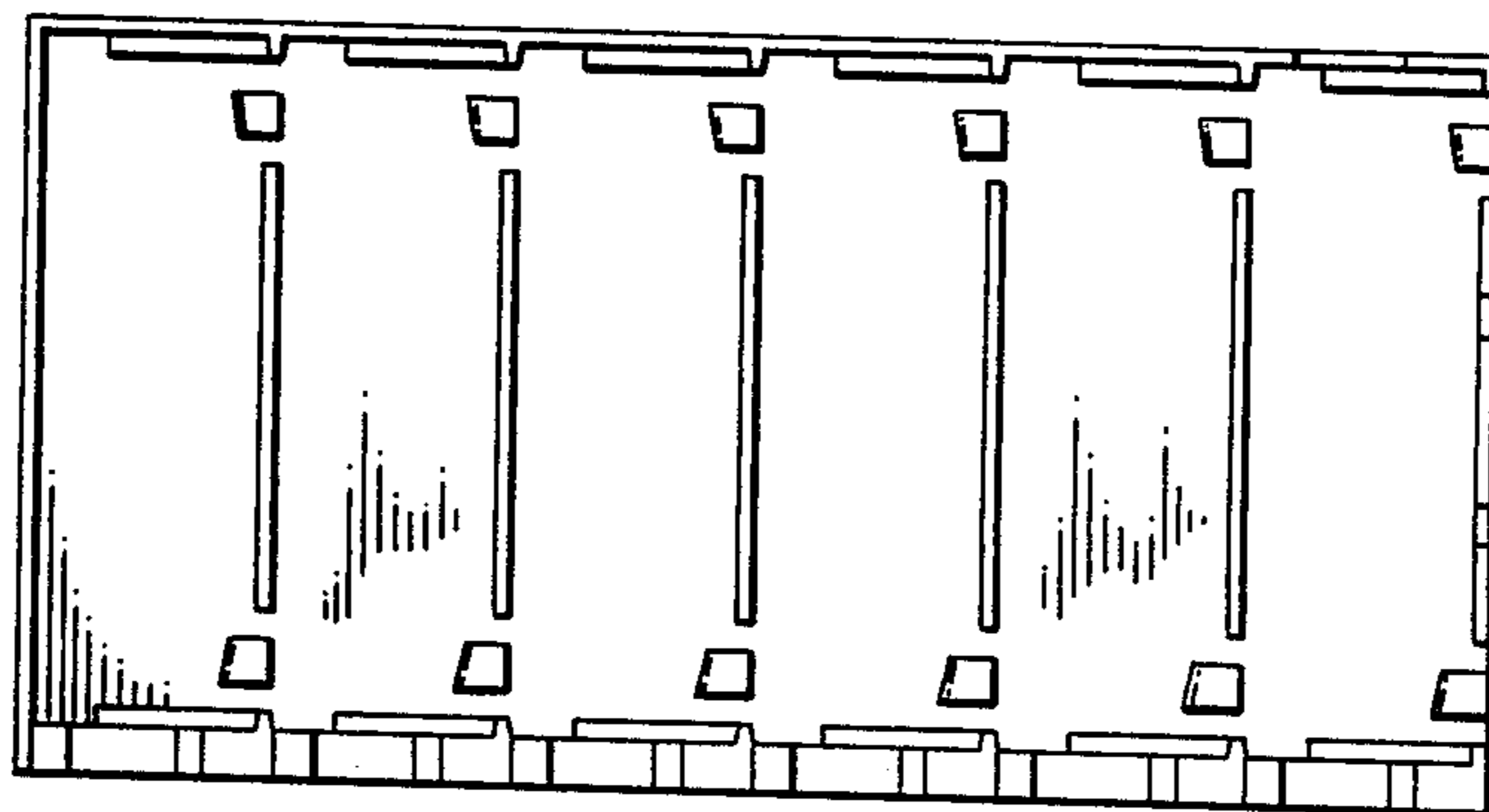


FIG. 2



FIG. 3