

[54] **TRAY FOR RELEASABLY ENGAGING A RAZOR AND A BLADE CARTRIDGE DISPENSER**

[75] Inventor: Ernest F. Kiraly, Fairfield, Conn.

[73] Assignee: Warner-Lambert Company, Morris Plains, N.J.

[**] Term: 14 Years

[21] Appl. No.: 921,917

[22] Filed: Jul. 3, 1978

[51] Int. Cl. D9-03

[52] U.S. Cl. D9/186

[58] Field of Search D9/186, 242; 206/228, 206/349, 352, 354, 355, 356, 372

[56] **References Cited**

U.S. PATENT DOCUMENTS

3,444,990 5/1969 Braginetz 206/228

Primary Examiner—George G. Stellar
Attorney, Agent, or Firm—Albert H. Graddis

[57] **CLAIM**

The ornamental design for a tray for releasably engaging a razor and a blade cartridge dispenser, as shown.

DESCRIPTION

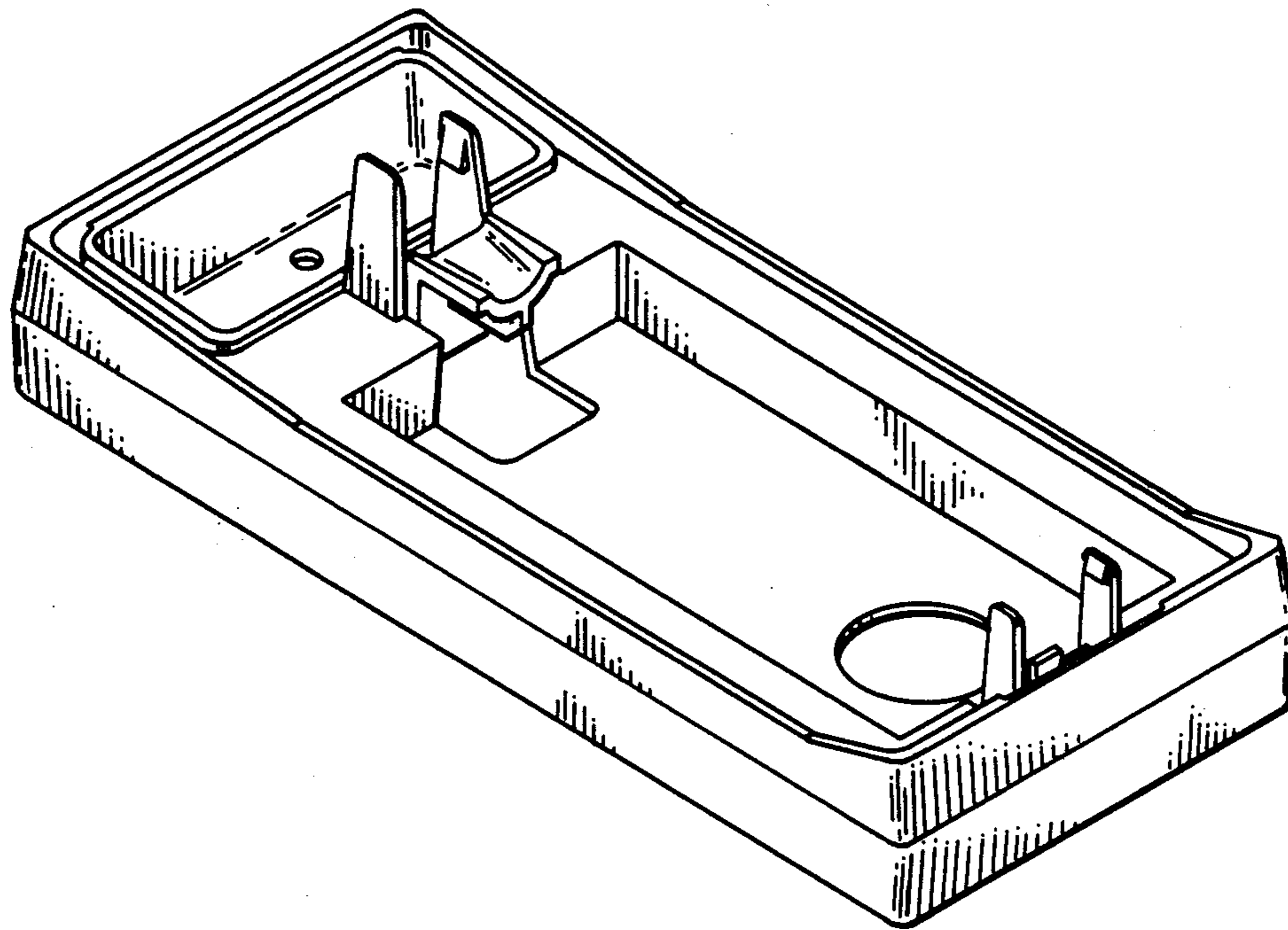
FIG. 1 is a perspective view of a tray for releasably engaging a razor and a blade cartridge dispenser showing my new design;

FIG. 2 is a top plan view thereof;

FIG. 3 is a side elevational view thereof;

FIG. 4 is a bottom plan view thereof; and

FIG. 5 is an end elevational view thereof.



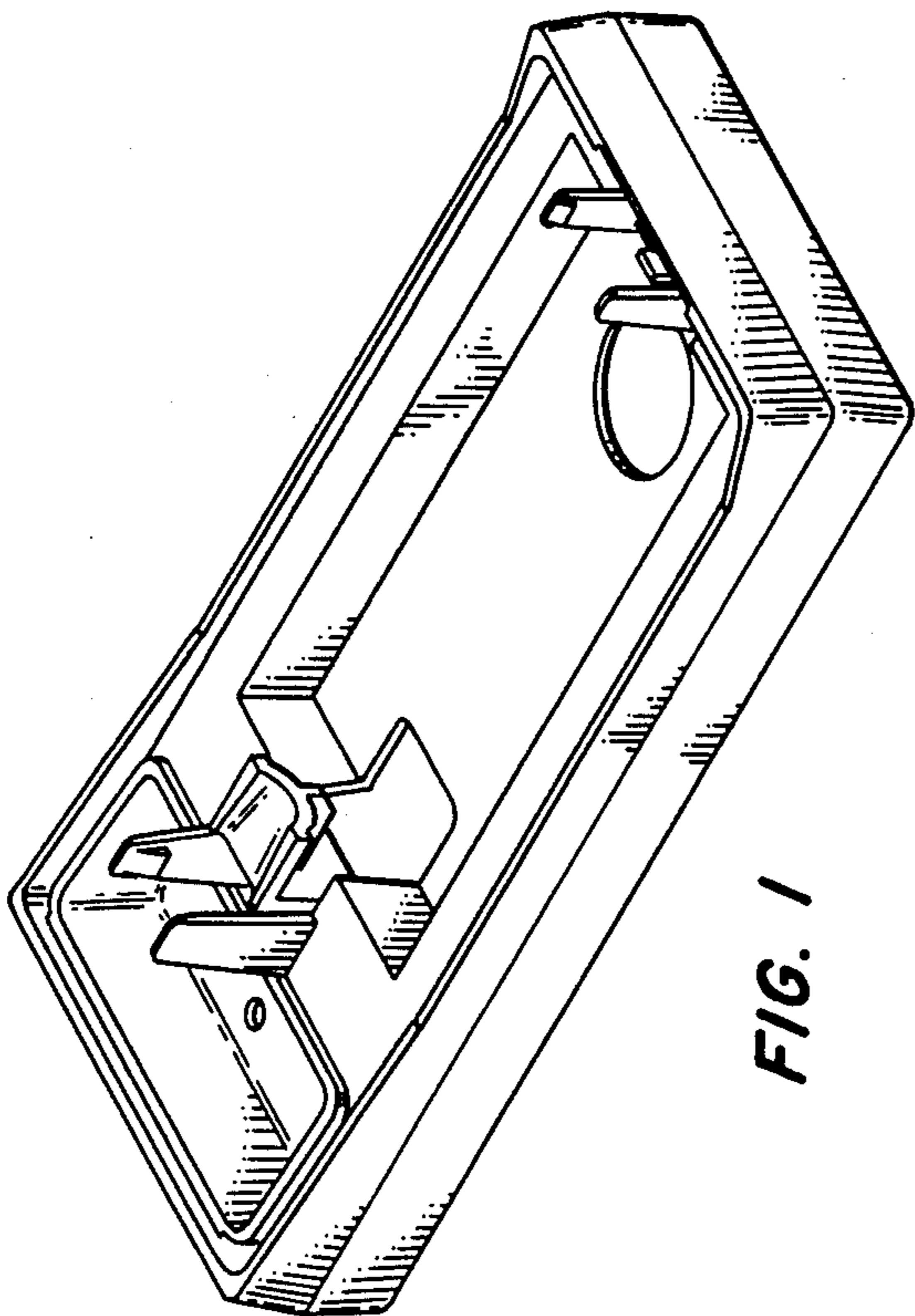


FIG. 1

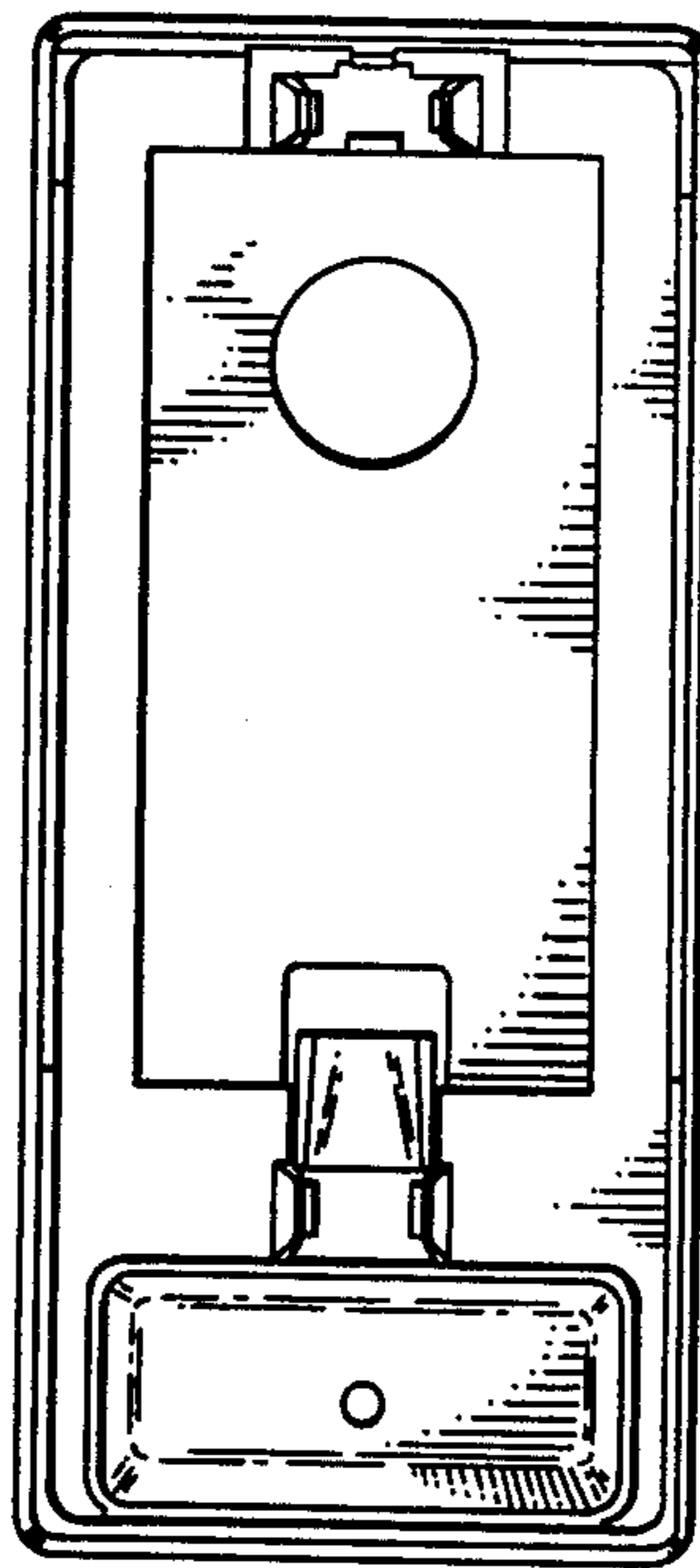


FIG. 2

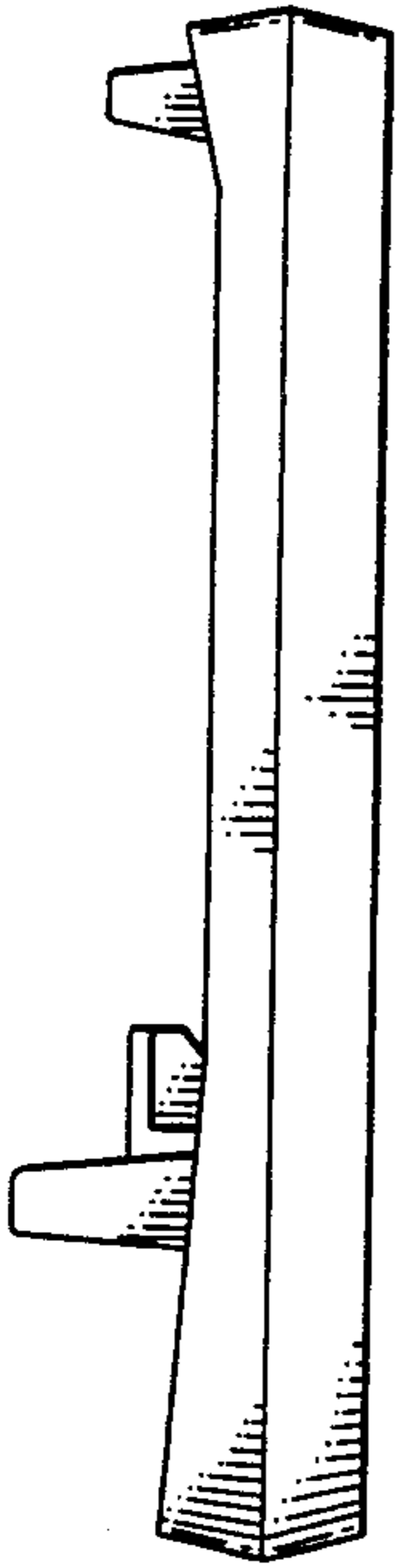


FIG. 3

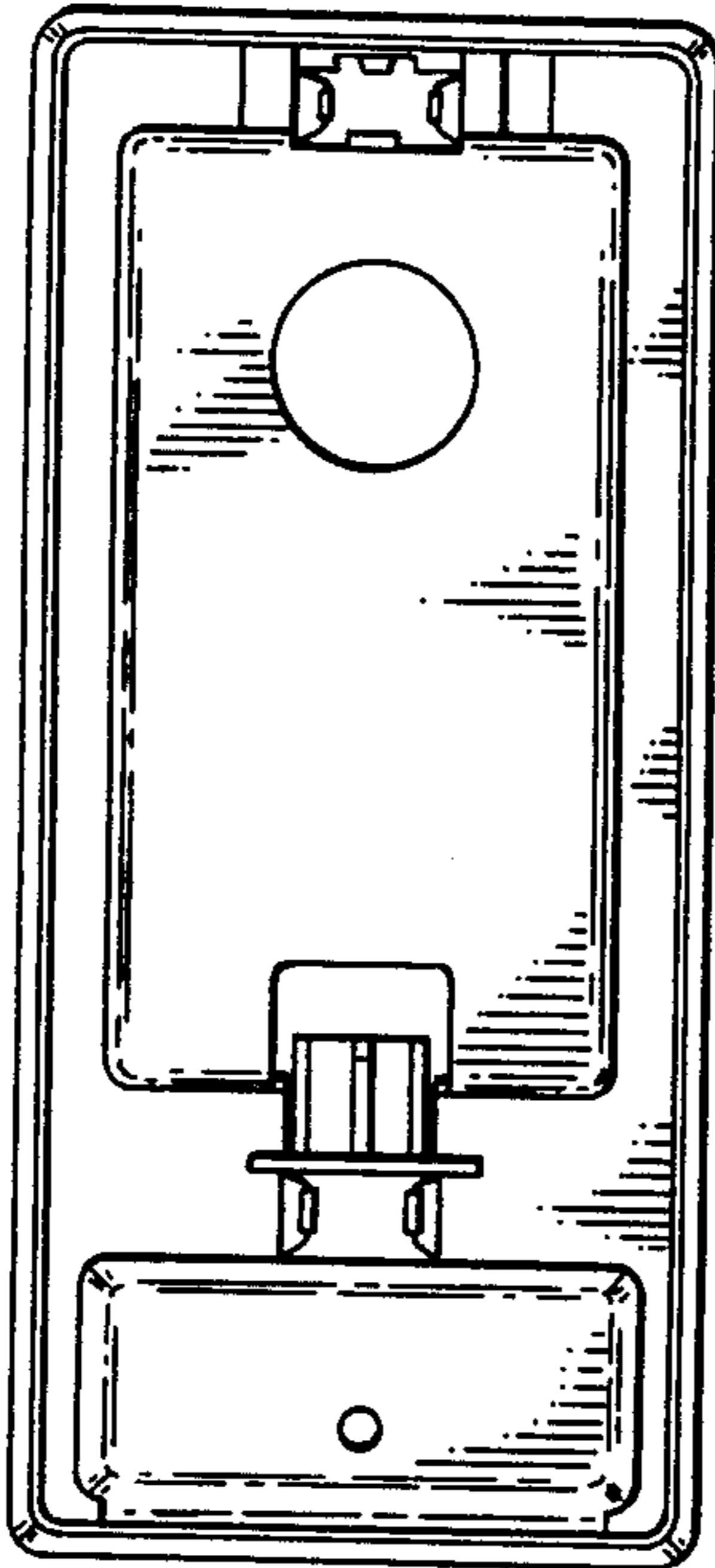


FIG. 4

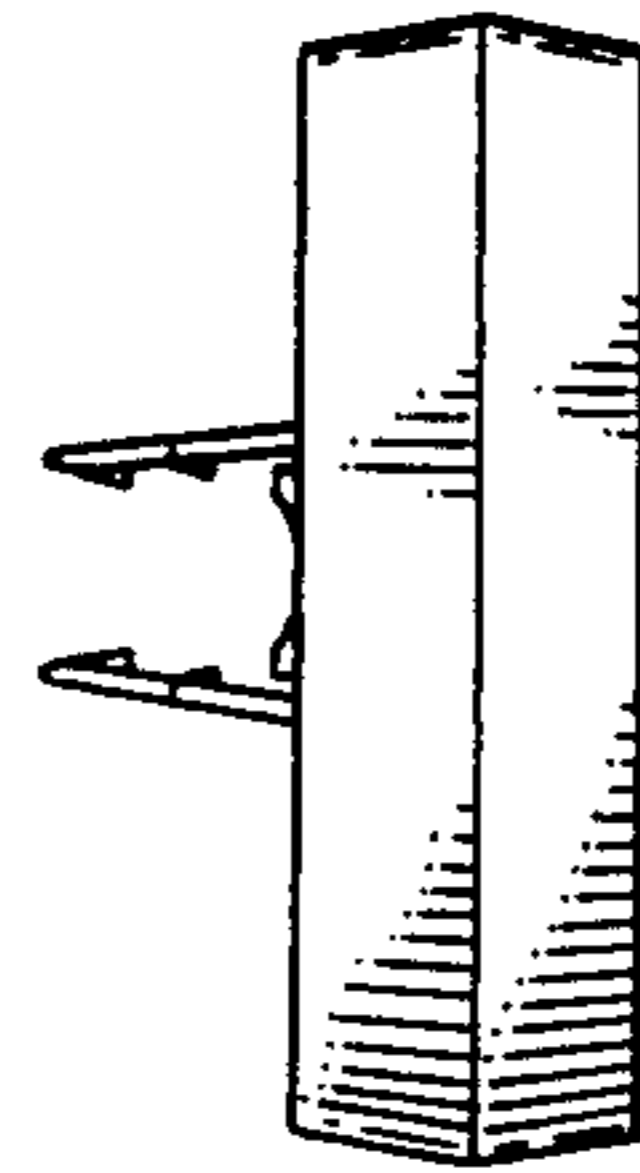


FIG. 5