

[54] **HOLDER FOR SKIN TREATMENT TOOL
AND ACCESSORIES**

[75] Inventor: **Fran MacGregor**, New Britain,
Conn.

[73] Assignee: **Clairol Incorporated**

[**] Term: **14 Years**

[21] Appl. No.: **43,063**

[22] Filed: **May 29, 1979**

Related U.S. Application Data

[62] Division of Ser. No. 852,388, Nov. 17, 1977, Pat. No.
Des. 254,222.

[51] Int. Cl. **D9-03**
[52] U.S. Cl. **D9/185**
[58] Field of Search D4/13, 14, 16, 17, 19,
D4/20; D9/186, 193, 185; D24/36, 40, 41, 63;
D28/7, 9, 58, 59, 38, 61, 99; 128/200

[56] **References Cited**

U.S. PATENT DOCUMENTS

D. 206,982 2/1967 Giacchero D28/38
D. 216,170 11/1969 Levin et al. D28/99

OTHER PUBLICATIONS

Housewares, 7/1976, p. 66-Norelco "Complexion Plus"
kit at bottom right.

Primary Examiner—Louis S. Zarfaz

Attorney, Agent, or Firm—Gerald S. Rosen

[57] **CLAIM**

The ornamental design for a holder for skin treatment
tool and accessories, as shown and described.

DESCRIPTION

FIG. 1 is a perspective view of a holder for skin treat-
ment tool and accessories showing my new design;
FIG. 2 is a front elevational view thereof;
FIG. 3 is a right side elevational view thereof; and
FIG. 4 is a top plan view thereof.

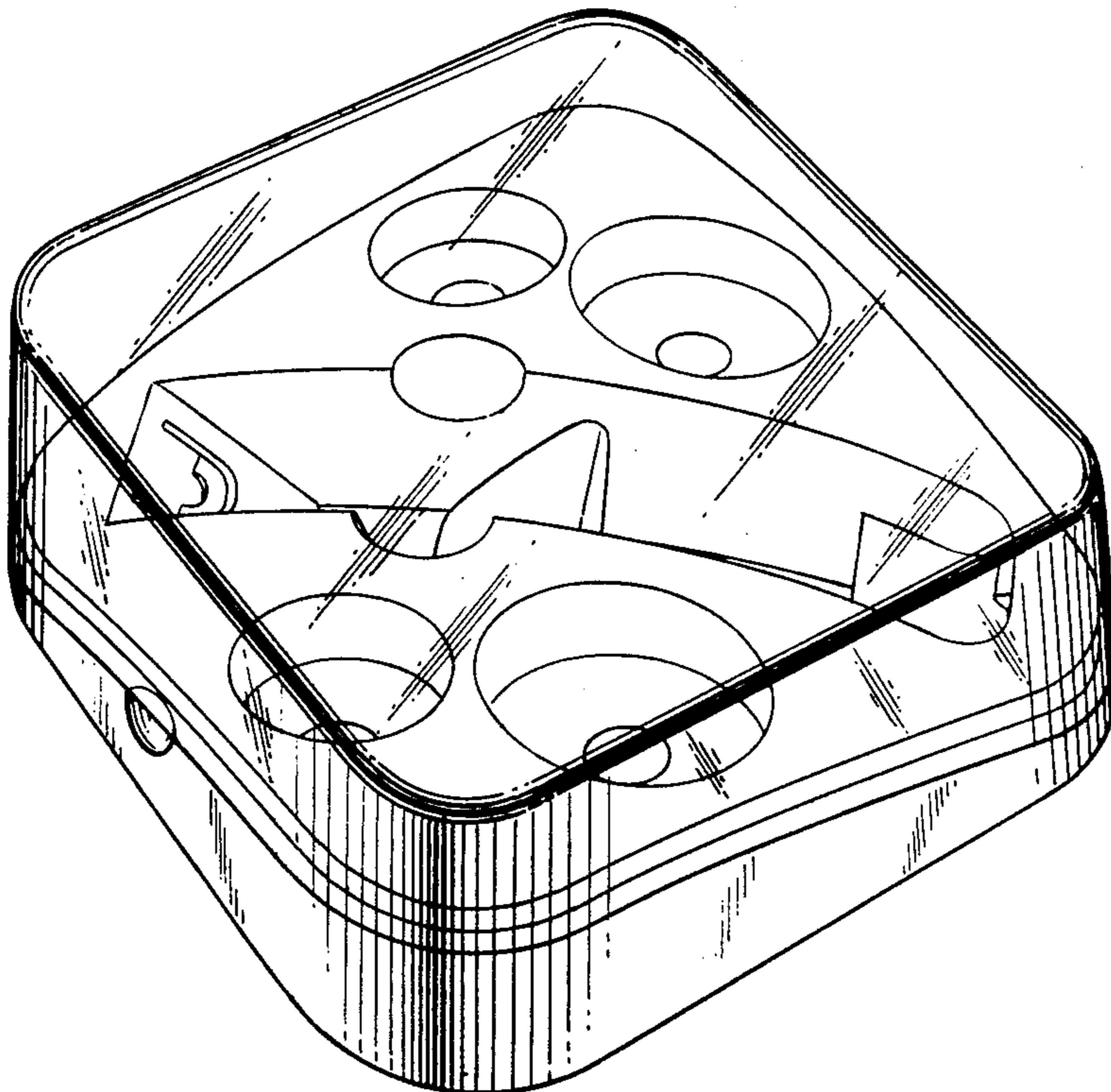


FIG. 1

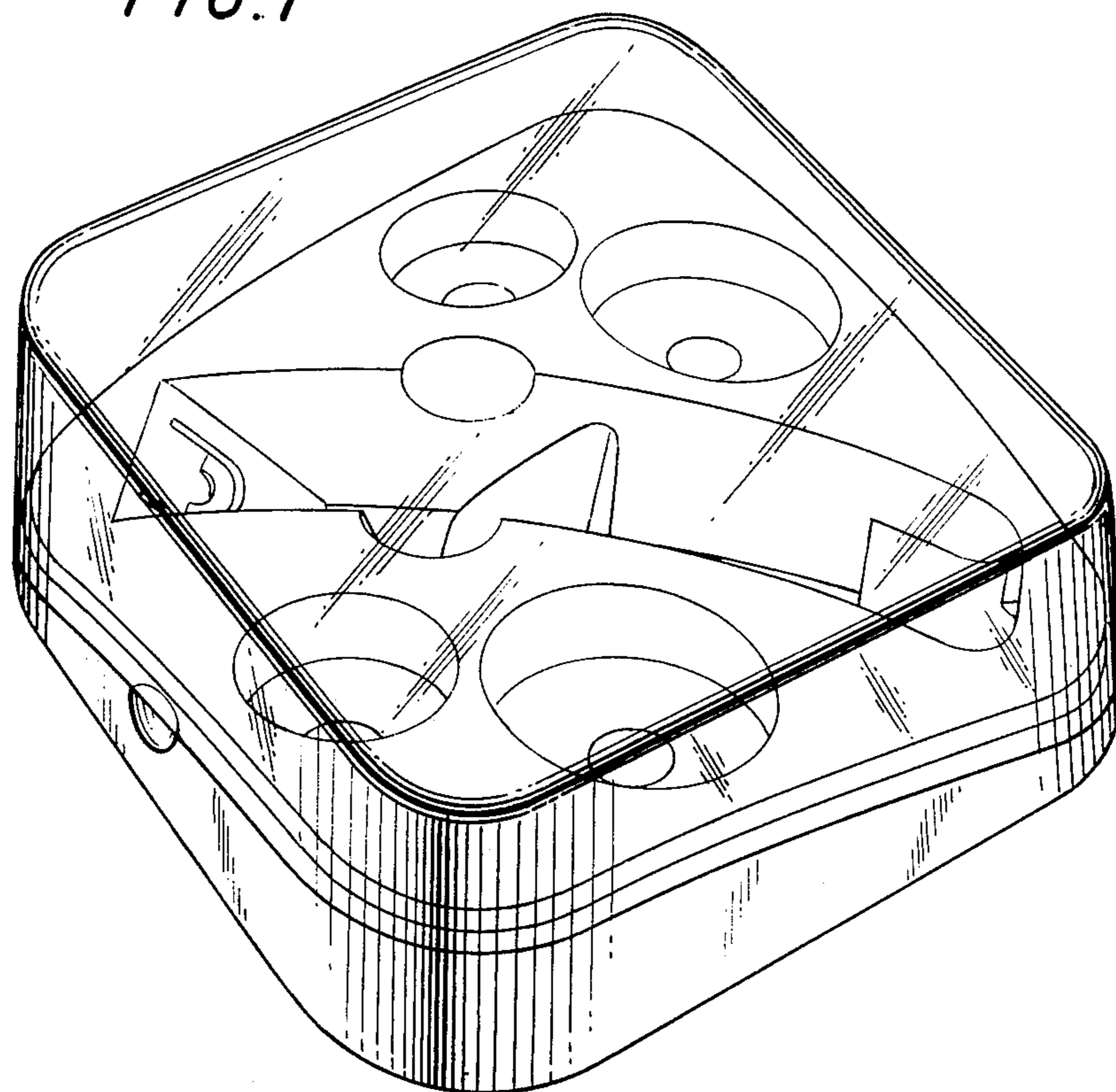


FIG. 2

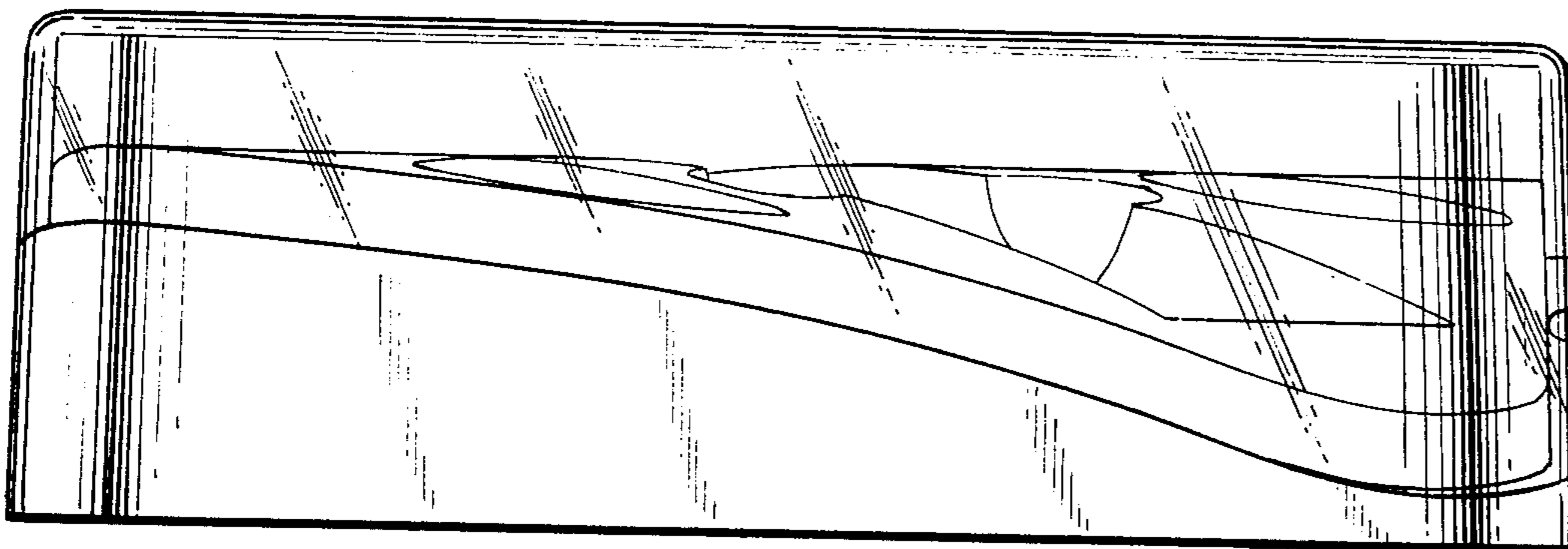


FIG. 3

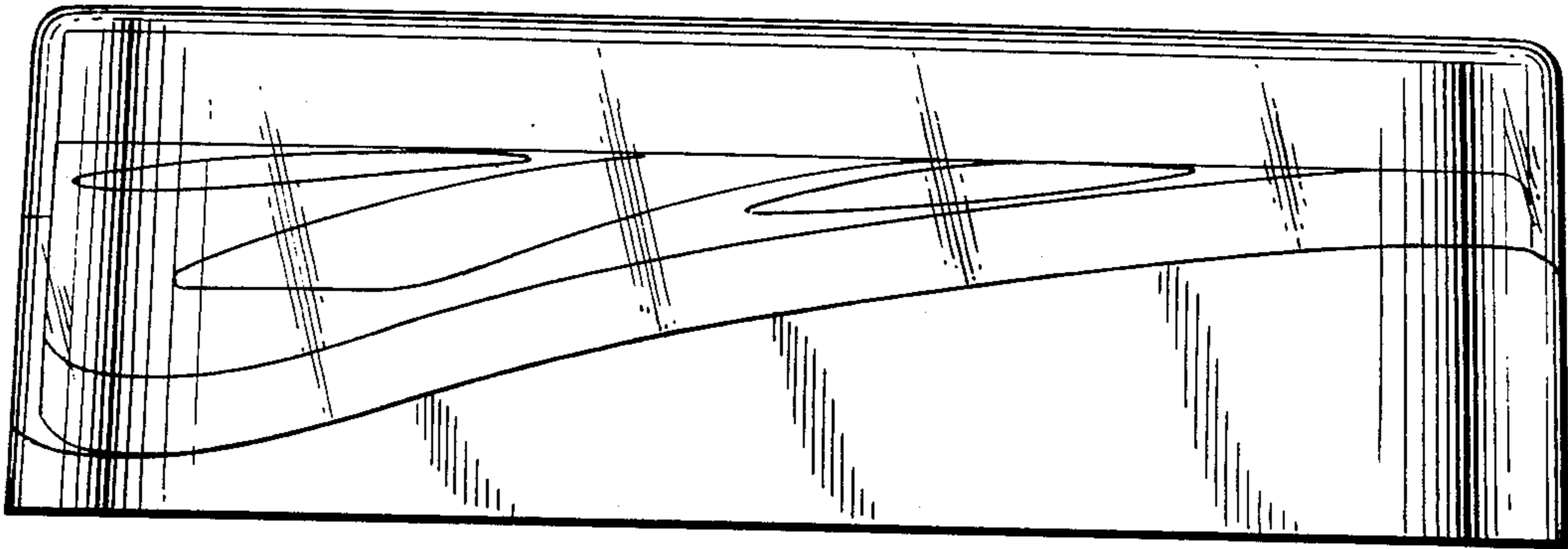


FIG. 4

