

[54] CURTAIN RUNNER

[75] Inventor: Kiyotsune Miki, Osaka, Japan

[73] Assignee: SM Industrial Company, Limited, Osaka, Japan

[**] Term: 14 Years

[21] Appl. No.: 950,290

[22] Filed: Oct. 11, 1978

[30] Foreign Application Priority Data

May 8, 1978 [JP] Japan 53-18655

[51] Int. Cl. D8-08

[52] U.S. Cl. D8/367; D8/377

[58] Field of Search 211/94, 113, 123, 162; 16/87.6 R, 87.4, 87.8, 91, 98, 102, 103, 93 D, 95 D, 94 D, 96 D; D8/367, 377

[56] References Cited

U.S. PATENT DOCUMENTS

D. 229,295	11/1973	Miki	D8/367
2,771,196	11/1956	Scheuermann	211/94
3,076,222	2/1963	Sloan	16/98
3,958,691	5/1976	Schaeffer	211/162 X

FOREIGN PATENT DOCUMENTS

205863 10/1939 Switzerland 16/87.8

OTHER PUBLICATIONS

Sweet's Architectural Catalog File, 1977, Section 12.10/WA, p. 5, Item No. 1038.

Primary Examiner—A. Hugo Word

Attorney, Agent, or Firm—Roberts B. Larson

[57] CLAIM

The ornamental design for a curtain runner, as shown and described.

DESCRIPTION

FIG. 1 is a perspective view looking from above of a curtain runner showing my new design;

FIG. 2 is a perspective view looking from below of the article shown in FIG. 1;

FIG. 3 is a front elevation view of the article shown in FIG. 1, the opposite side being the mirror image of the side shown;

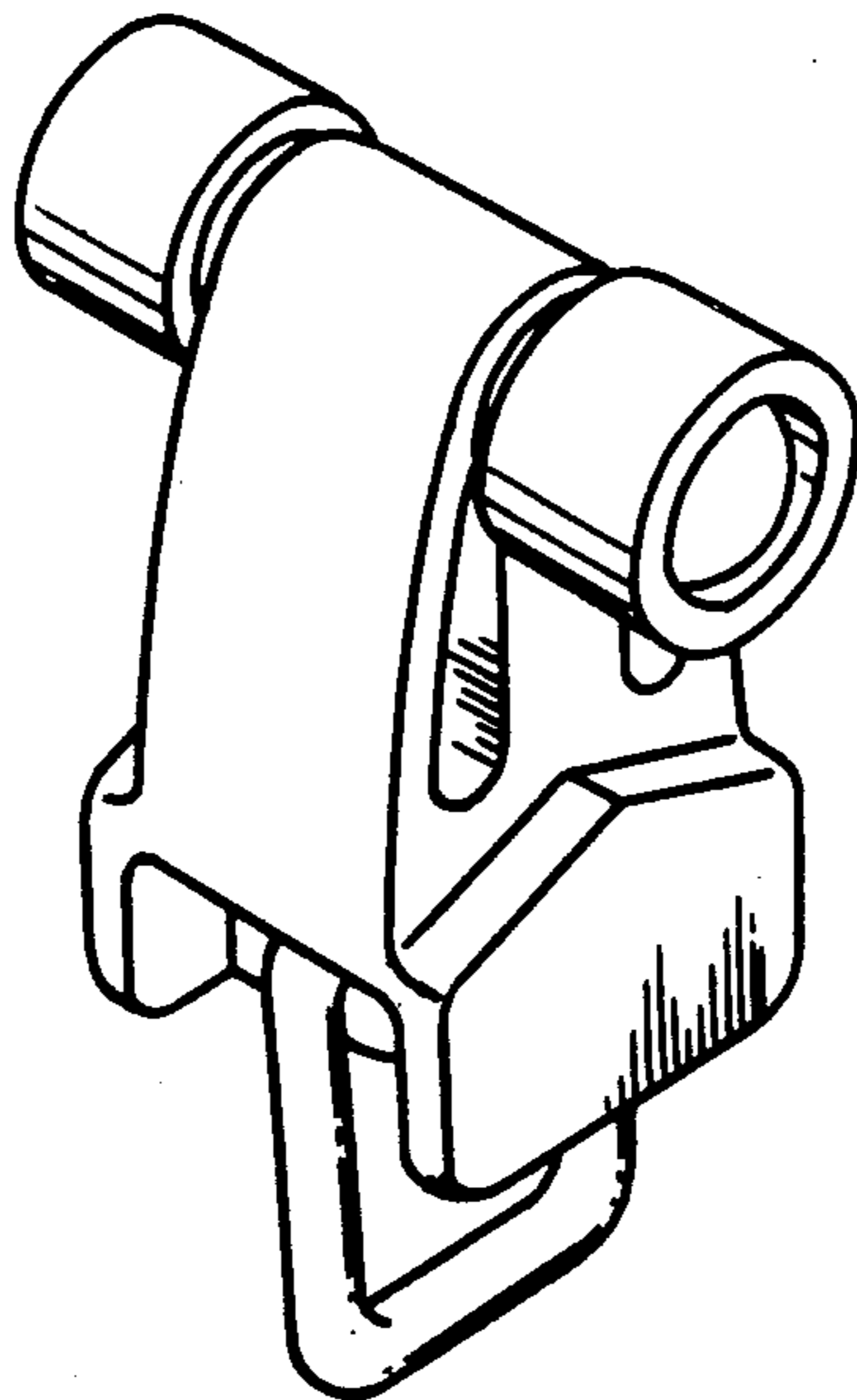
FIG. 4 is a side elevation view of the article shown in FIG. 1, the opposite side being the mirror image of the side shown;

FIG. 5 is a top plan view of the article shown in FIG. 1;

FIG. 6 is a bottom plan view of the article shown in FIG. 1;

FIG. 7 is a sectional view of the article shown in FIG. 1 taken on line VII—VII in FIG. 3; and

FIG. 8 is a sectional view of the article shown in FIG. 1 taken on line VIII—VIII in FIG. 4.



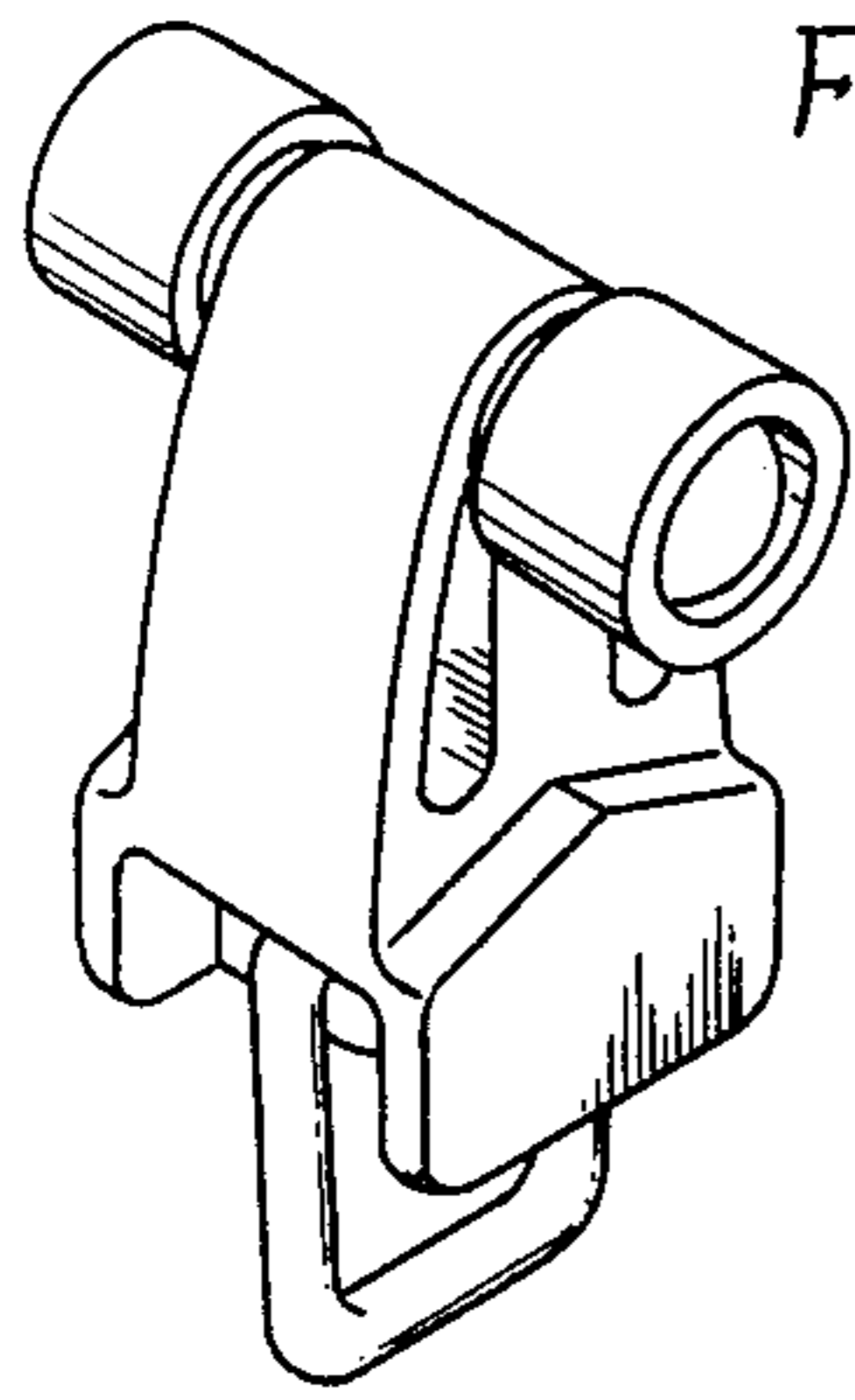


Fig. 1

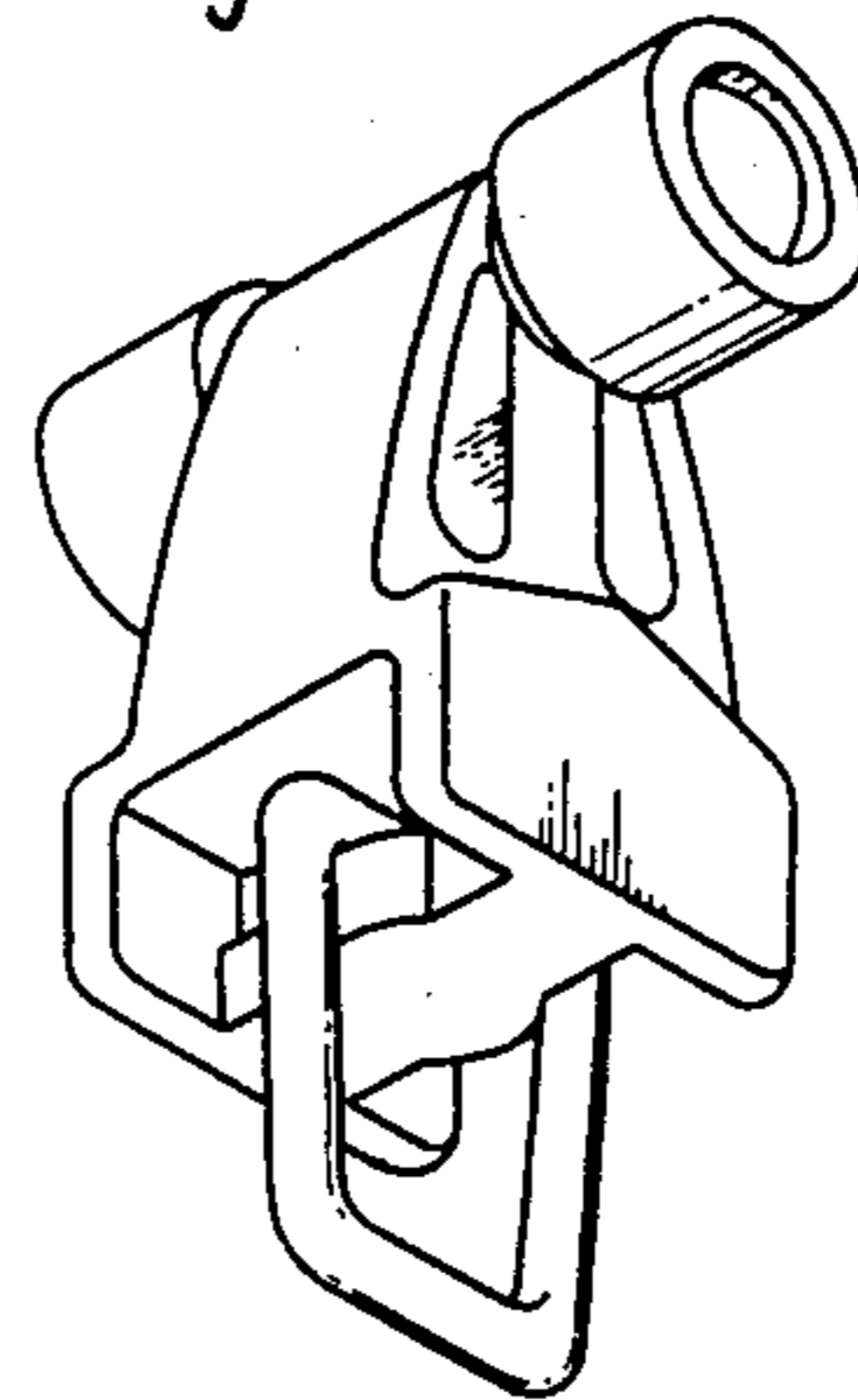
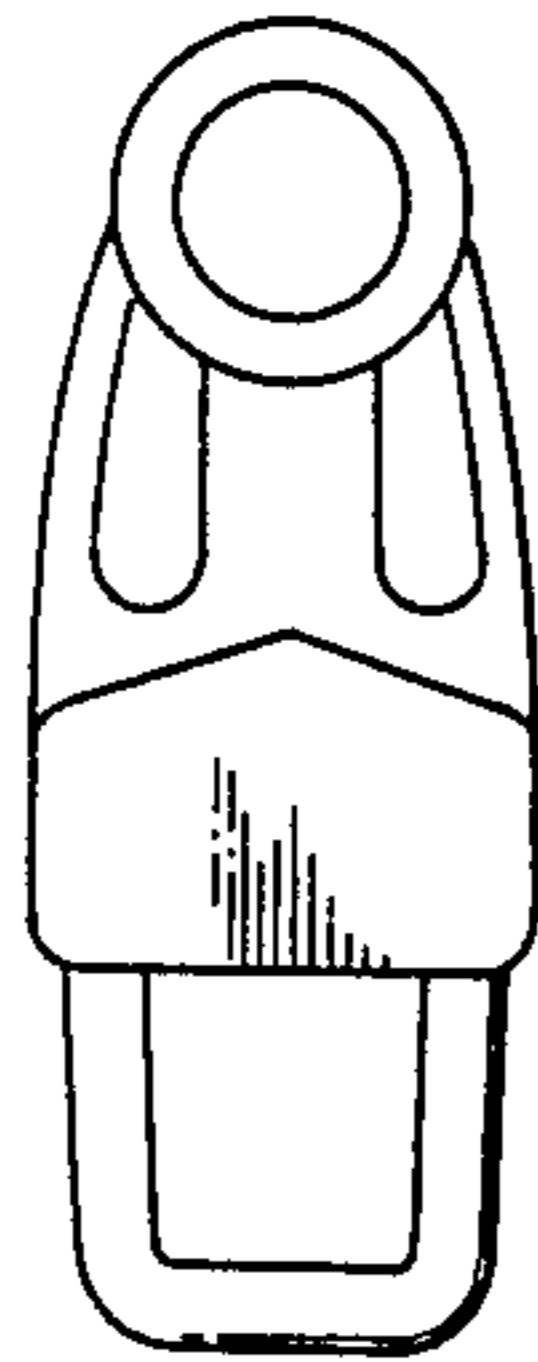


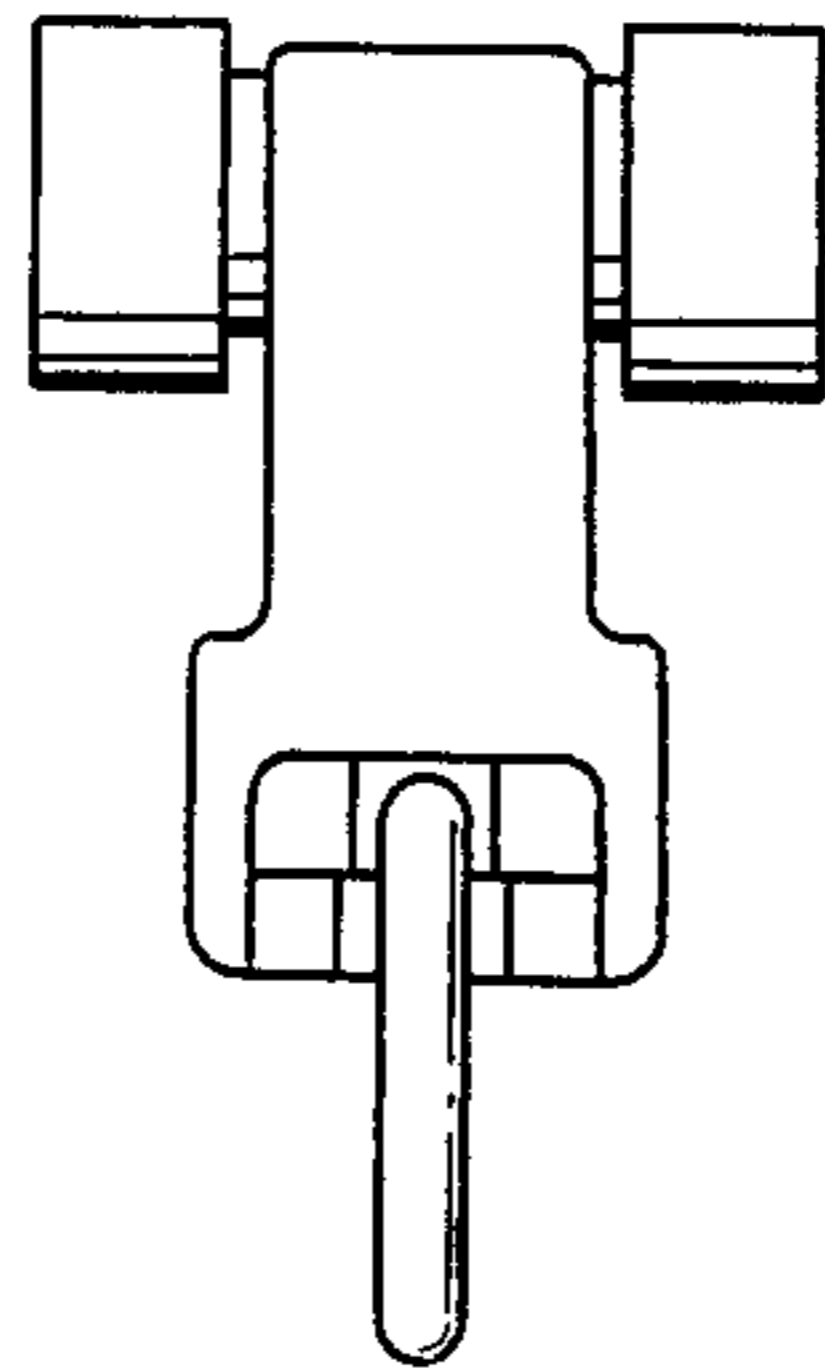
Fig. 2

Fig. 3
VII ←



VII ←

Fig. 4
VIII ←



VIII ←

Fig. 5

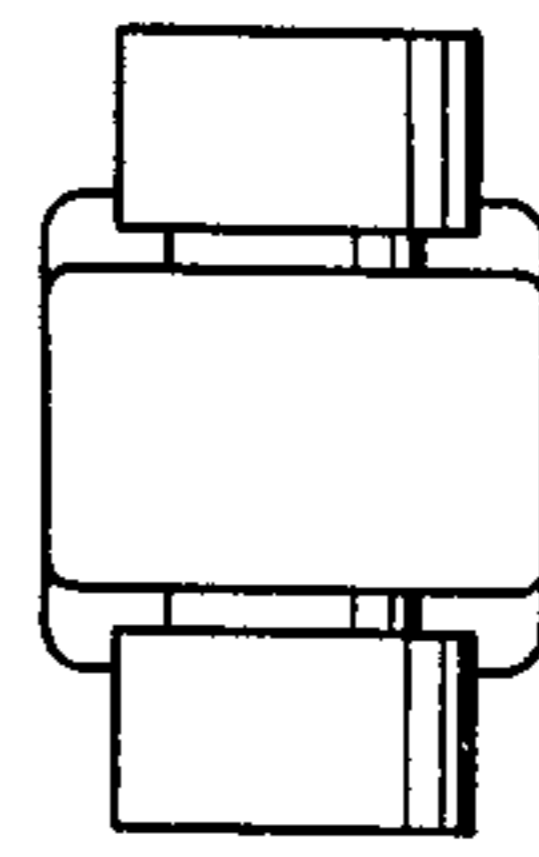


Fig. 6

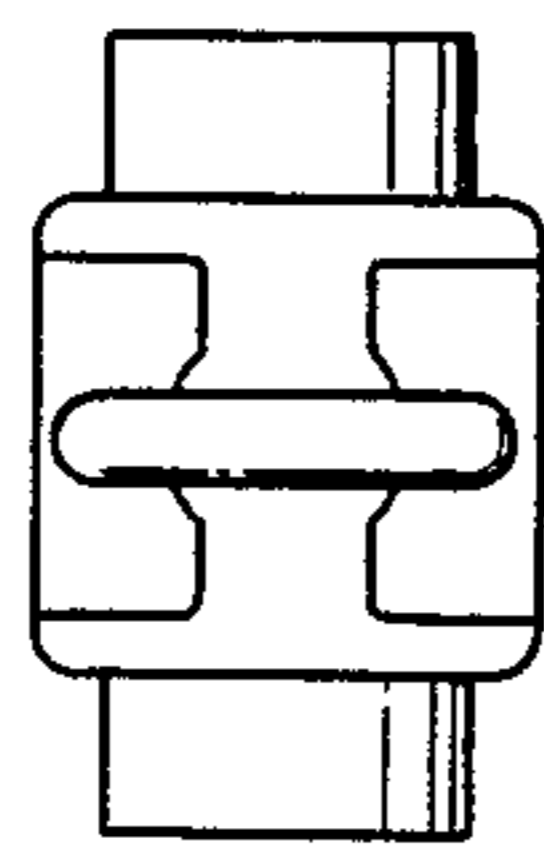


Fig. 7

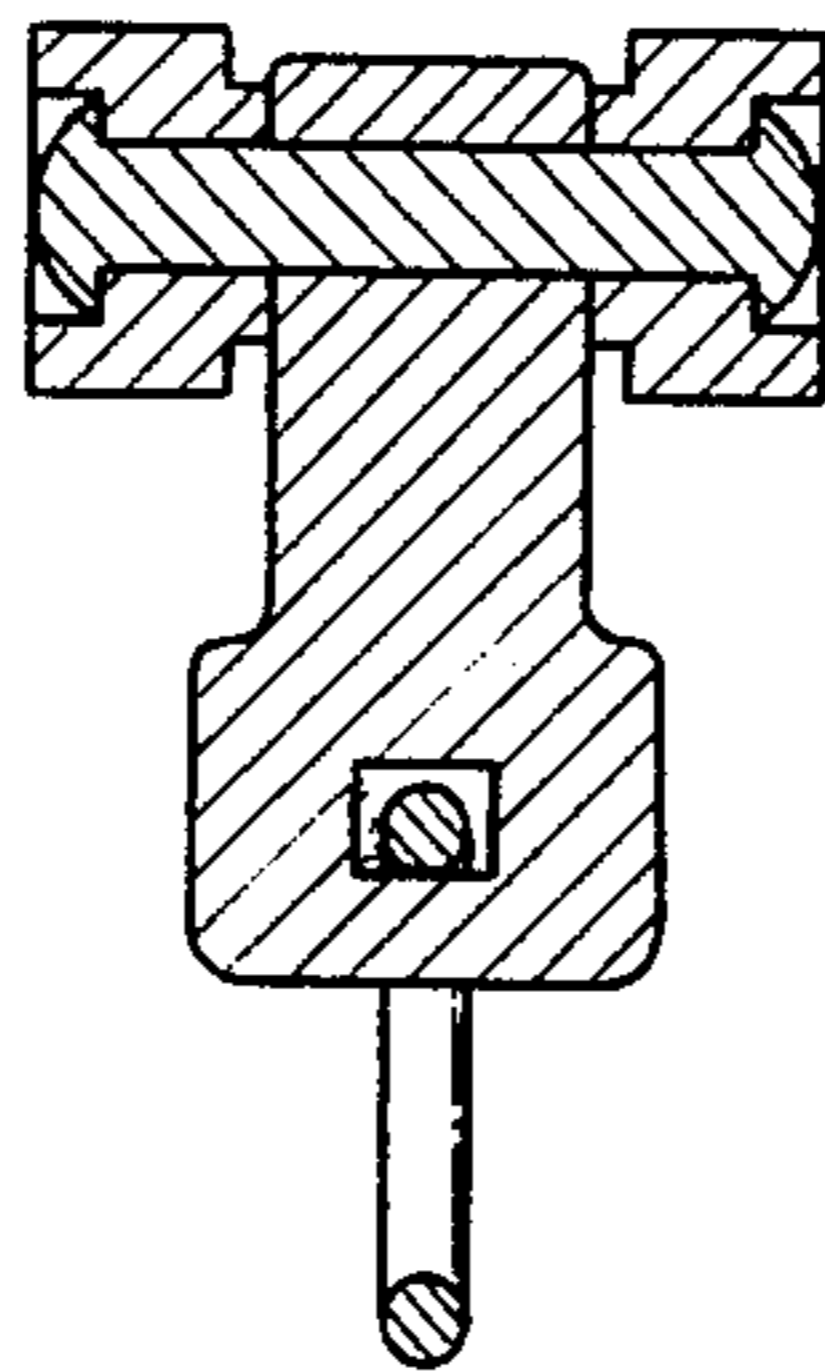


Fig. 8

