

[54] TURNBUCKLE, OR SIMILAR ARTICLE

[75] Inventor: Jukka W. Leppänen, Karlskoga, Sweden

[73] Assignee: Hasselfors Stainless Aktiebolag

[**] Term: 14 Years

[21] Appl. No.: 940,783

[22] Filed: Sep. 8, 1978

[51] Int. Cl. D8-08

[52] U.S. Cl. D8/349

[58] Field of Search D8/349, 354; 403/43

[56] References Cited

U.S. PATENT DOCUMENTS

D. 130,509 11/1941 Shanor D8/349
3,030,061 4/1962 Jennings 403/43 X

FOREIGN PATENT DOCUMENTS

119392 10/1918 United Kingdom 403/43

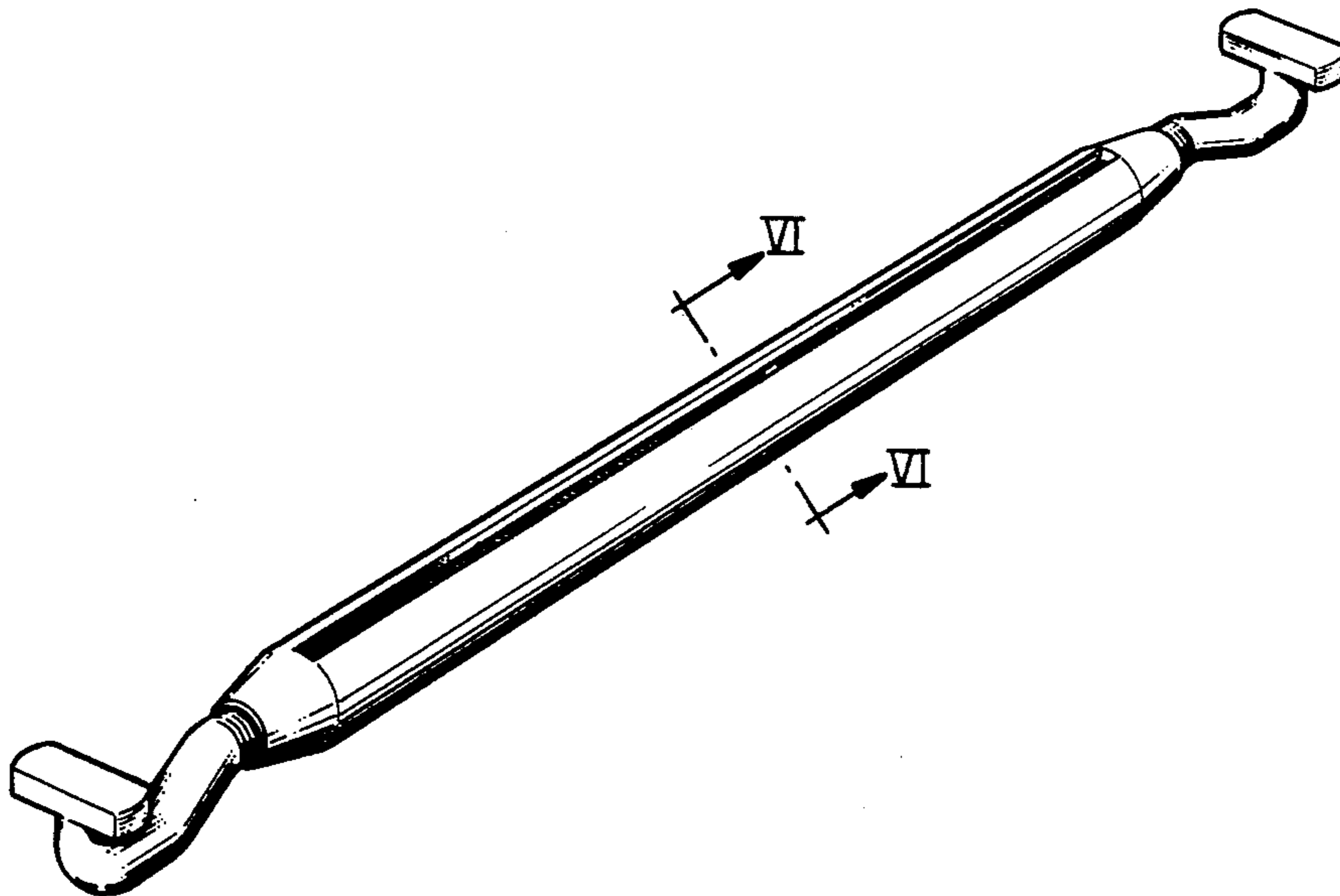
Primary Examiner—A. Hugo Word
Attorney, Agent, or Firm—J. Arthur Gross

[57] CLAIM

The ornamental design for a turnbuckle, or similar article, substantially as shown and described.

DESCRIPTION

FIG. 1 is a perspective view of a turnbuckle, or similar article, showing my new design;
FIG. 2 is a side elevational view thereof, the opposite side being a mirror image thereof;
FIG. 3 is a top view thereof;
FIG. 4 is a bottom view thereof;
FIG. 5 is an end view thereof, the other end having the same appearance; and
FIG. 6 is a cross-section in the plane VI—VI in FIG. 1.



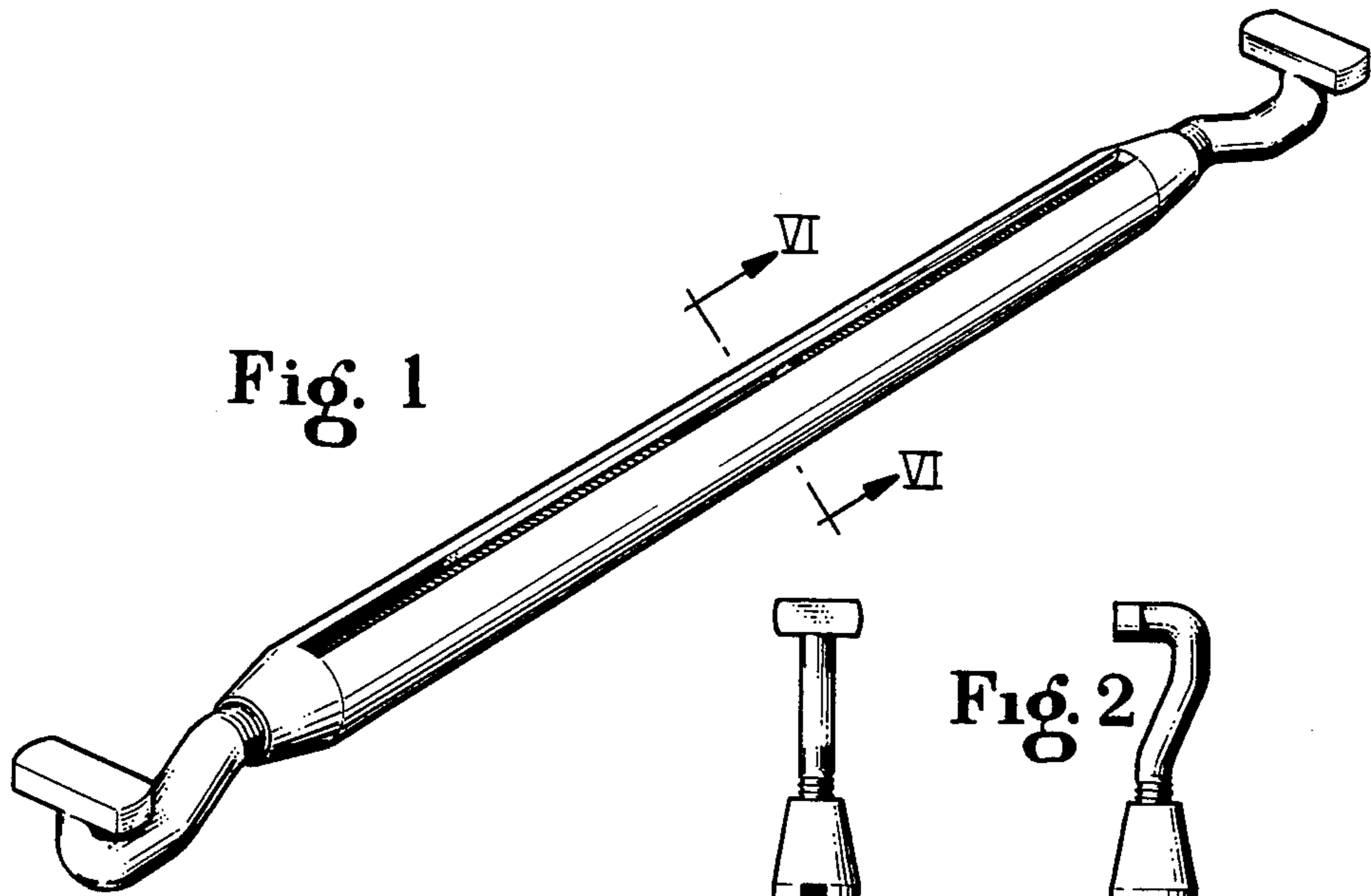


Fig. 3

Fig. 2

Fig. 4

Fig. 6



Fig. 5

