

[54] **HAND CLEANSER DISPENSER OR SIMILAR APPARATUS**

[75] Inventor: **Samuel A. Redman**, Dallas, Tex.

[73] Assignee: **Texas Novachem Corporation**, Dallas, Tex.

[**] Term: **14 Years**

[21] Appl. No.: **913,755**

[22] Filed: **Jun. 8, 1978**

[51] Int. Cl. **D23-02**

[52] U.S. Cl. **D6/95**

[58] Field of Search **D6/95; 222/129, 132, 222/135, 144.5, 145, 180, 181, 185**

[56] **References Cited**

U.S. PATENT DOCUMENTS

730,989 6/1903 DeWaltoff 222/181
2,965,267 12/1960 Darr D6/95

OTHER PUBLICATIONS

Sweet's Architectural Catalog File, 1973, Dec. 10.16/Am, p. 14, dispenser #74.

Primary Examiner—Wallace R. Burke
Assistant Examiner—B. J. Bullock
Attorney, Agent, or Firm—Jack A. Kanz

[57] **CLAIM**

The ornamental design for a hand cleaner dispenser or similar apparatus, substantially as shown.

DESCRIPTION

FIG. 1 is a perspective view of a hand cleaner dispenser or similar apparatus showing my new design; FIG. 2 is a front elevational view thereof; FIG. 3 is a side elevational view thereof; FIG. 4 is a rear elevational view thereof; FIG. 5 is a side elevational view thereof opposite to that shown in FIG. 3; FIG. 6 is a top plan view thereof; and FIG. 7 is a bottom plan view thereof.

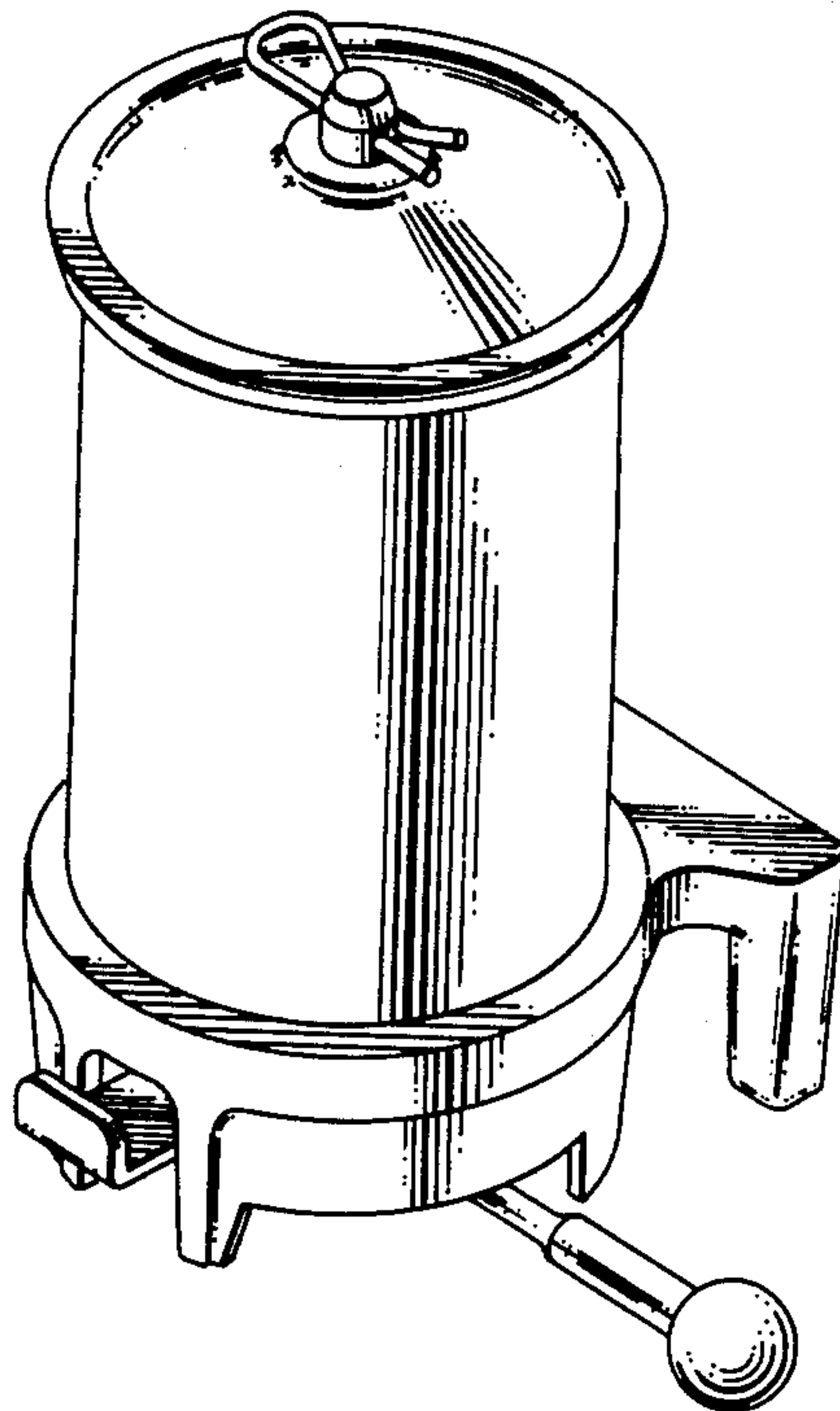


FIG. 1

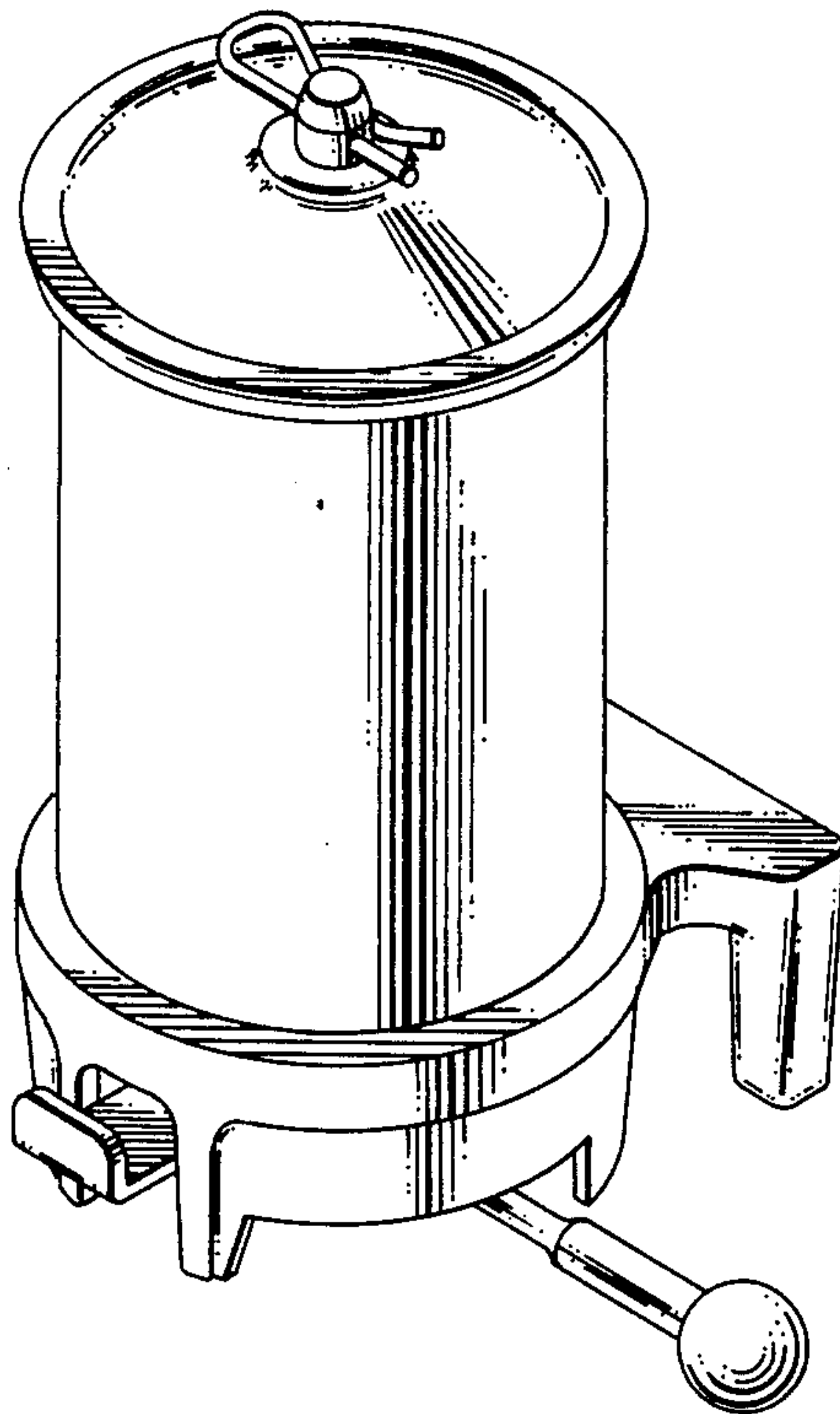


FIG. 2

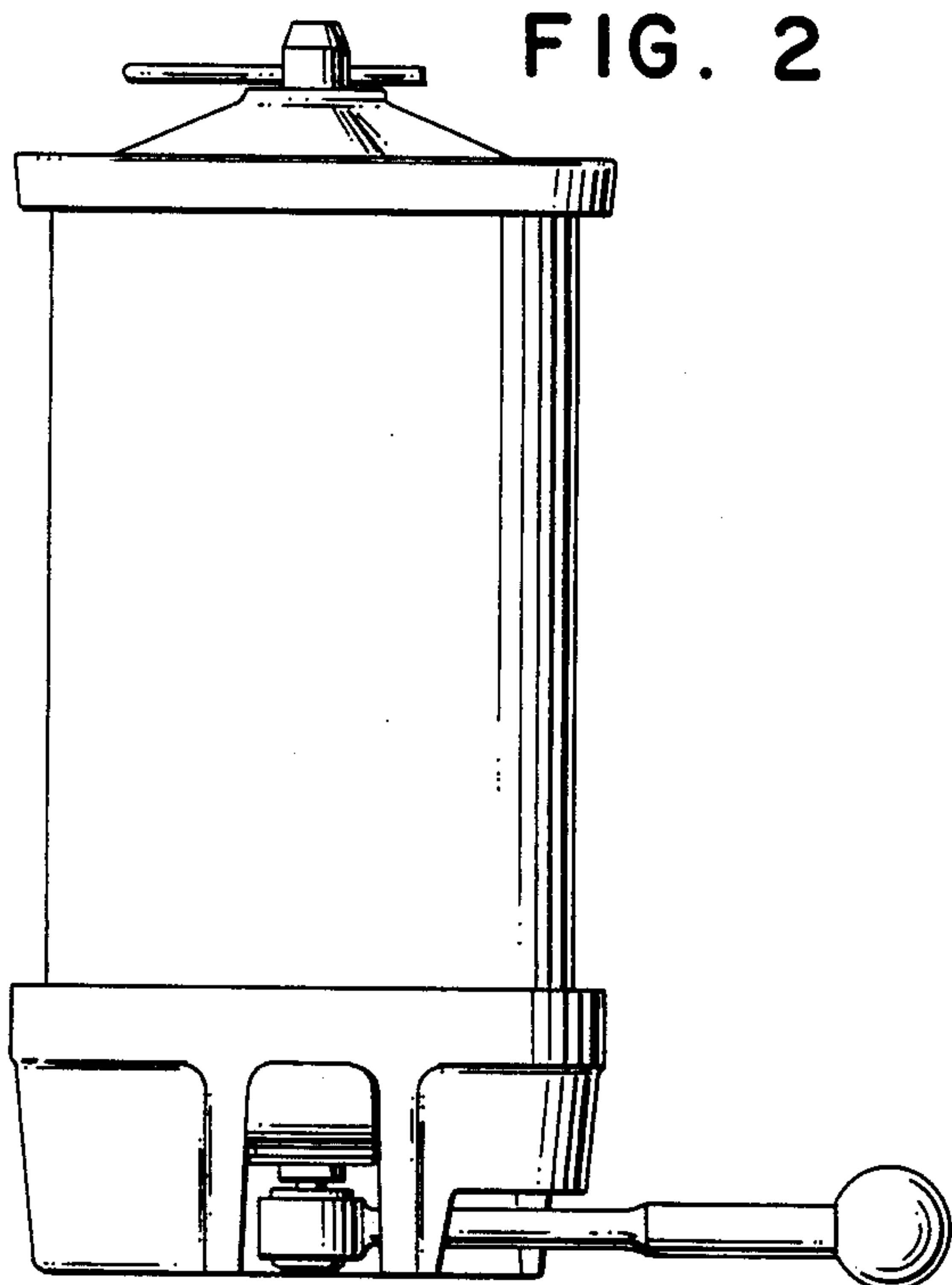
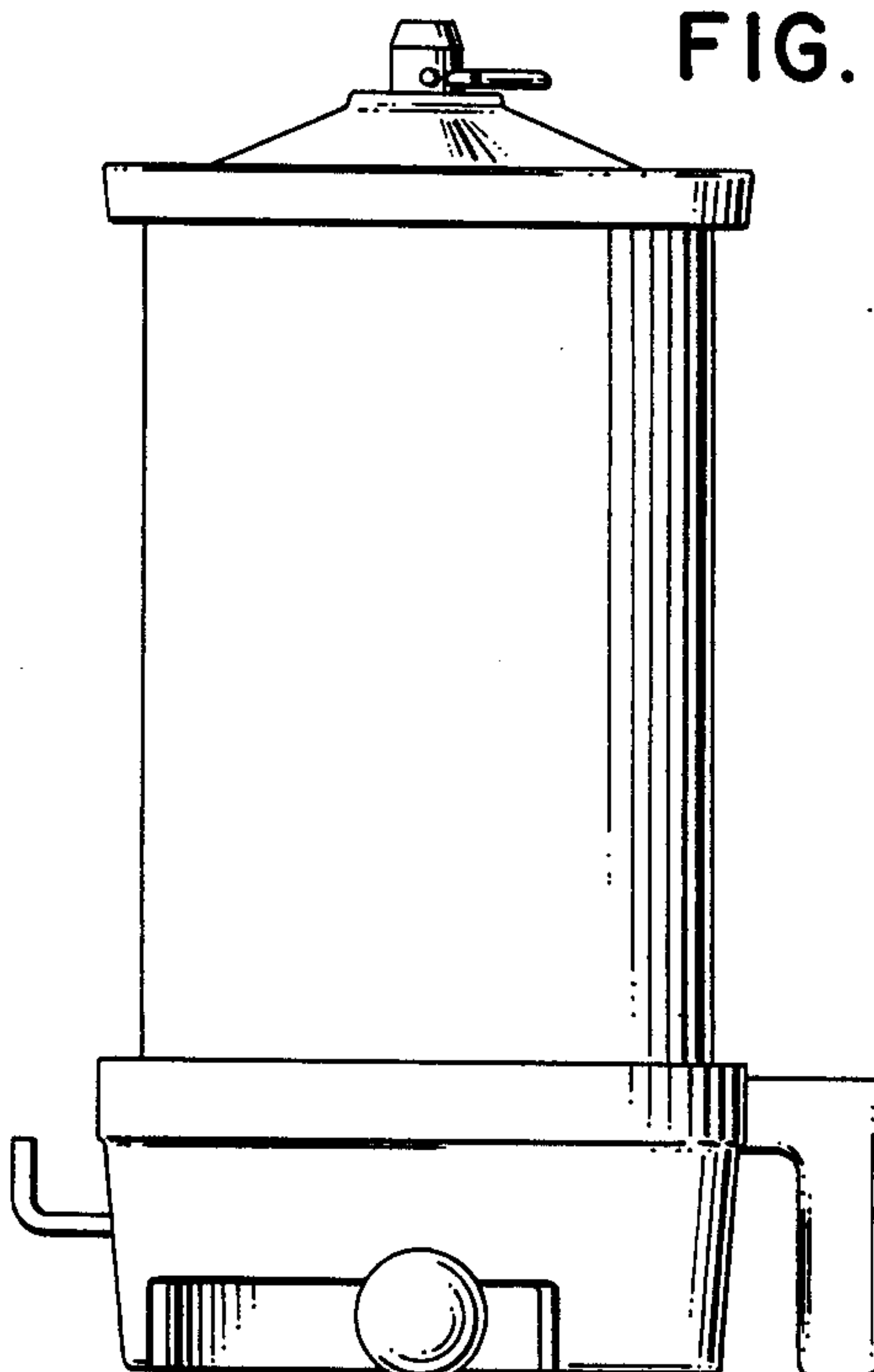


FIG. 3



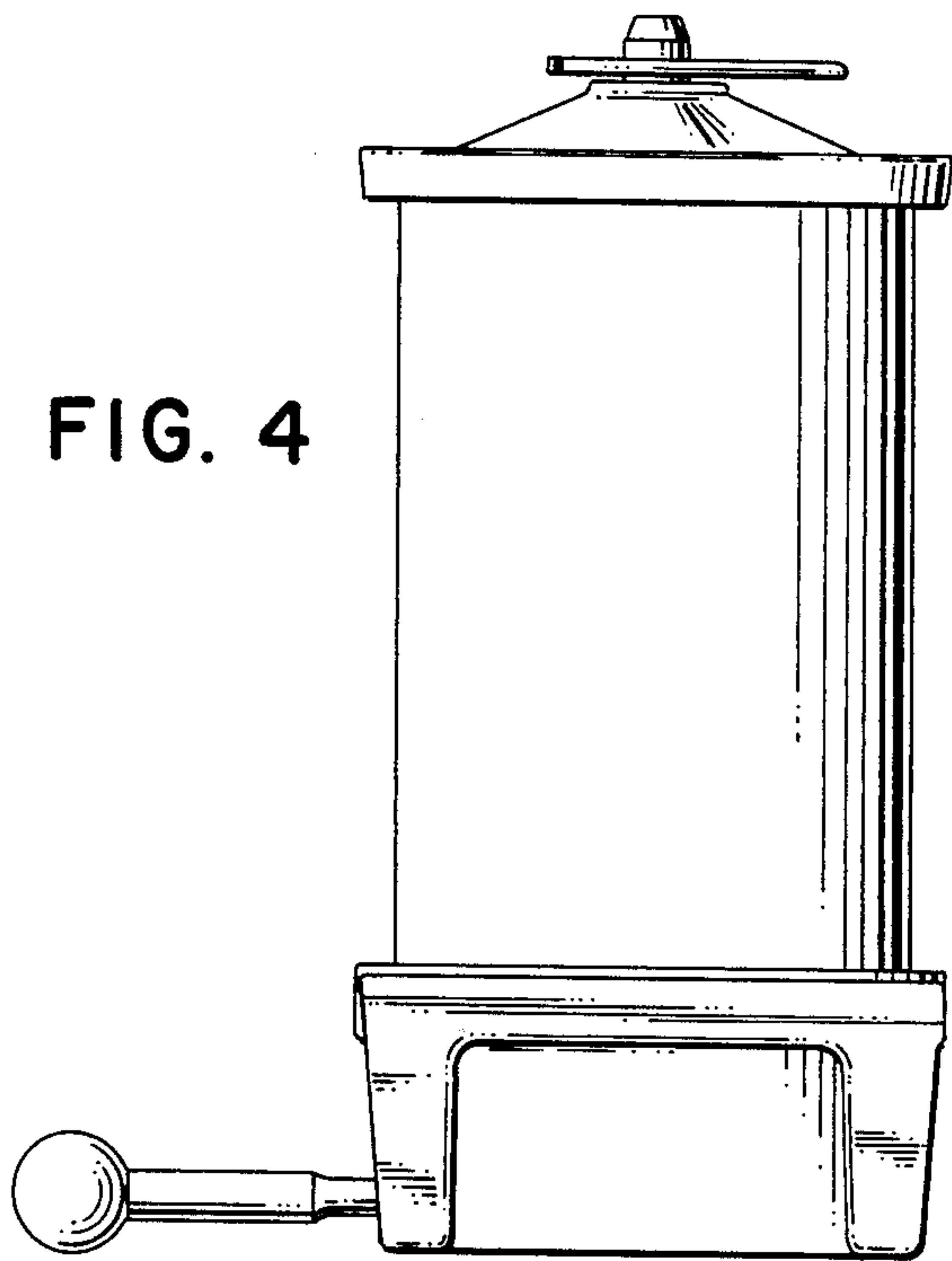


FIG. 4

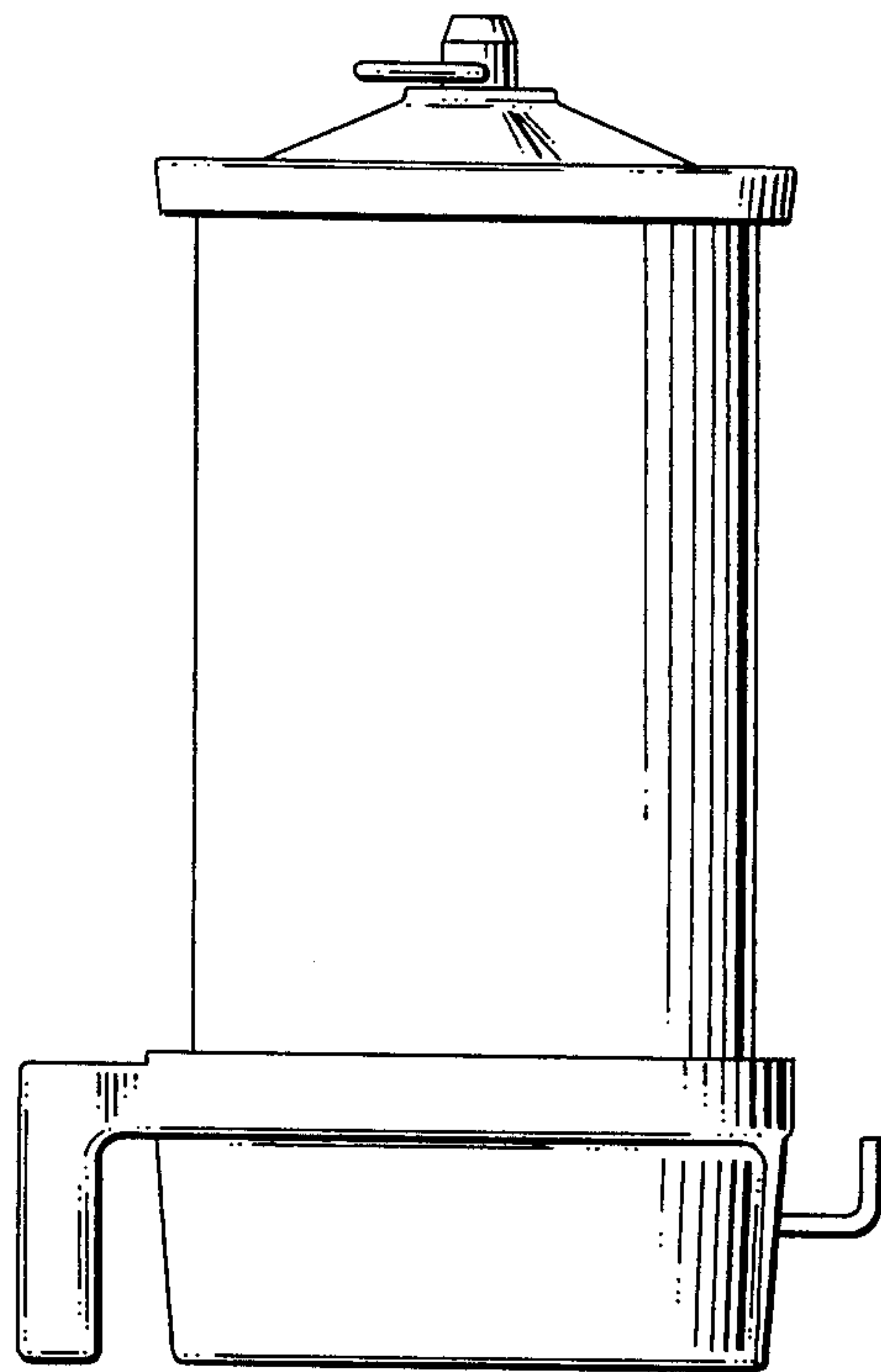


FIG. 5

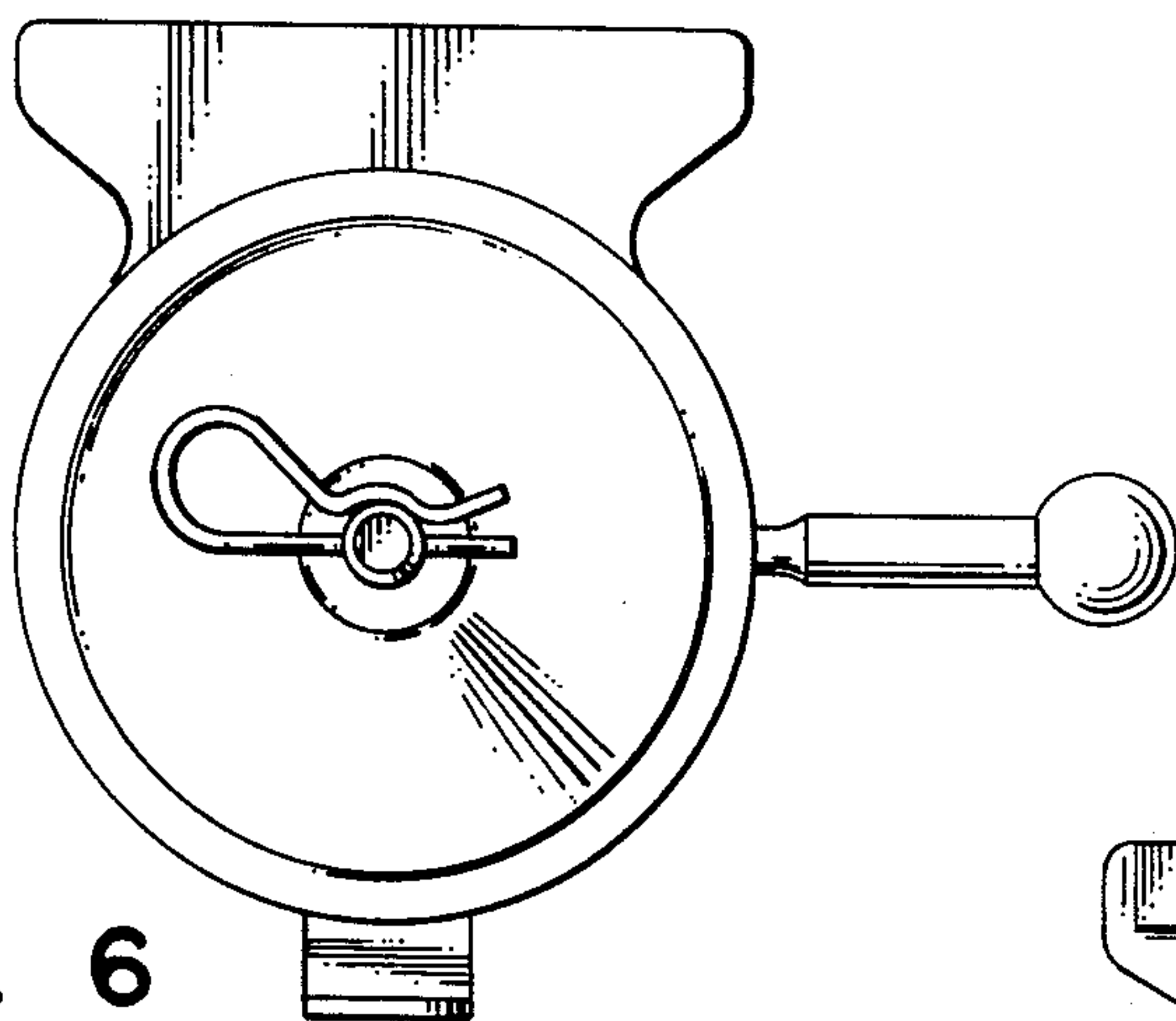


FIG. 6

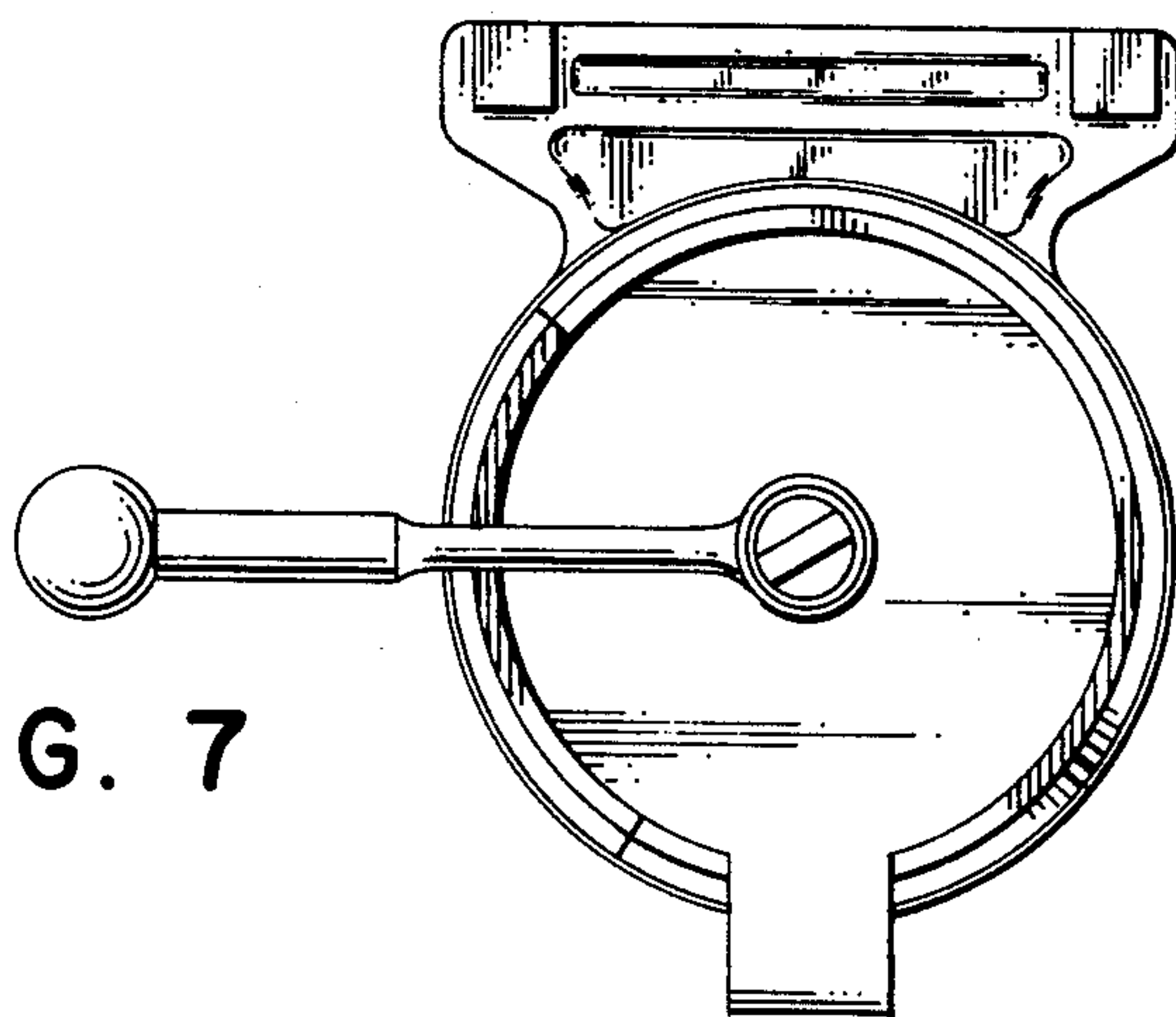


FIG. 7