

[54] CHAIR FOR USE IN BARBERS AND BEAUTY PARLORS

[75] Inventor: Yasuke Hirota, Yao, Japan

[73] Assignee: Oohiro Seisakusho Co., Ltd. (Oohiro Works Limited), Osaka, Japan

[**] Term: 14 Years

[21] Appl. No.: 894,616

[22] Filed: Apr. 6, 1978

[30] Foreign Application Priority Data

Jan. 26, 1978 [JP] Japan 53-2396

[51] Int. Cl. D6-01

[52] U.S. Cl. D6/22; D6/26

[58] Field of Search D6/22, 37-39, D6/47-78; 297/445, 451, 344

[56] References Cited

U.S. PATENT DOCUMENTS

D. 177,765 5/1956 Romito D6/22

D. 179,969	4/1957	Fidel	D6/22
D. 180,393	6/1957	Long	D6/22
D. 186,879	12/1959	Klein	D6/22
D. 188,047	5/1960	Leubner	D6/22
D. 227,950	7/1973	Okiyama	D6/22
3,589,772	6/1971	Leaver	D6/31 X

Primary Examiner—Bruce W. Dunkins
Attorney, Agent, or Firm—John E. Lind

[57] CLAIM

The ornamental design for chair for use in barbers and beauty parlors, as shown.

DESCRIPTION

FIG. 1 is a perspective view of chair for use in barbers and beauty parlors, showing the new design;
FIG. 2 is a front elevation view thereof;
FIG. 3 is a rear elevation view thereof;
FIG. 4 is a top plan view thereof;
FIG. 5 is a bottom plan view thereof;
FIG. 6 is a side elevational view taken from the right of FIG. 2; and
FIG. 7 is a side elevational view taken from the left of FIG. 2.

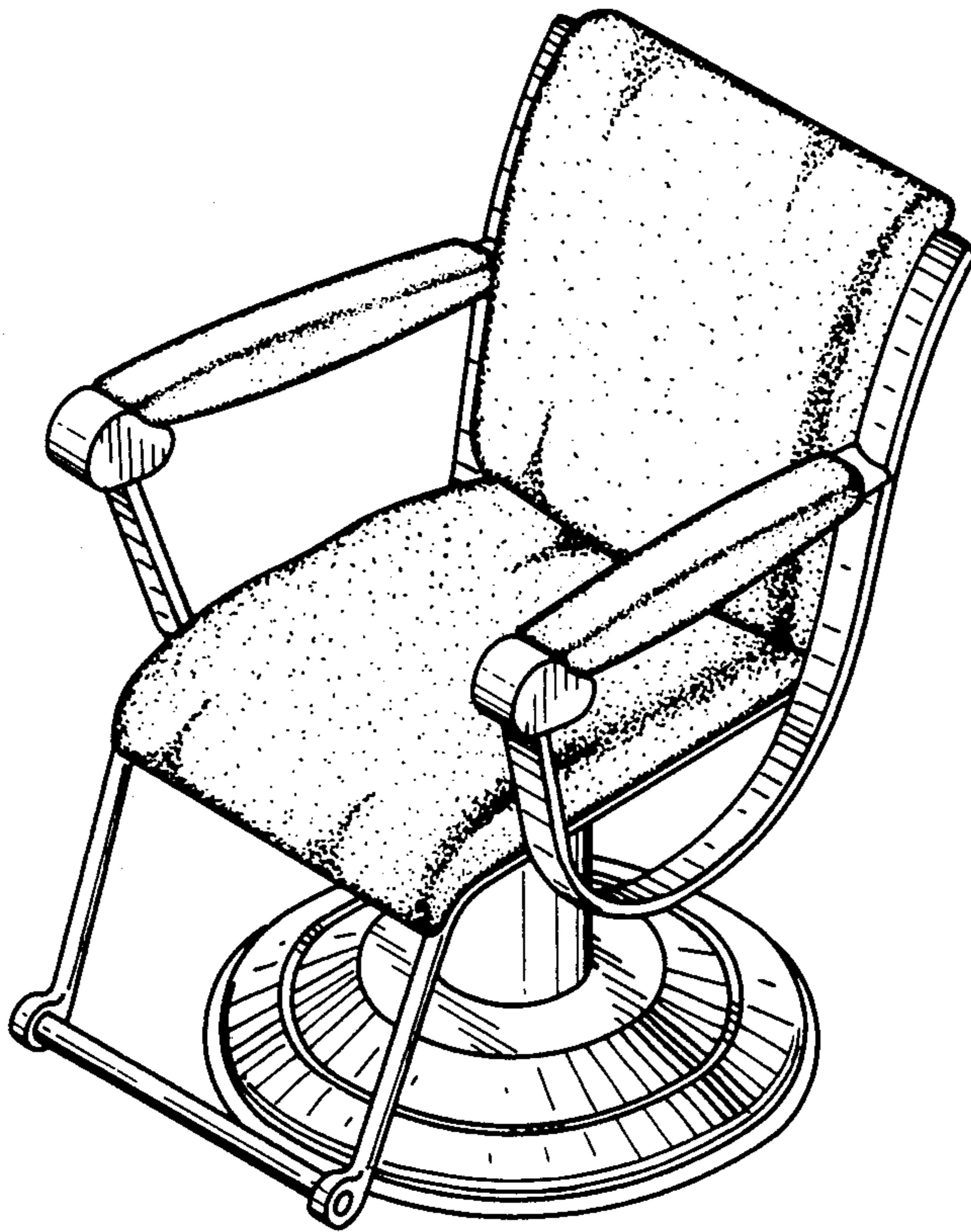


FIG. 1

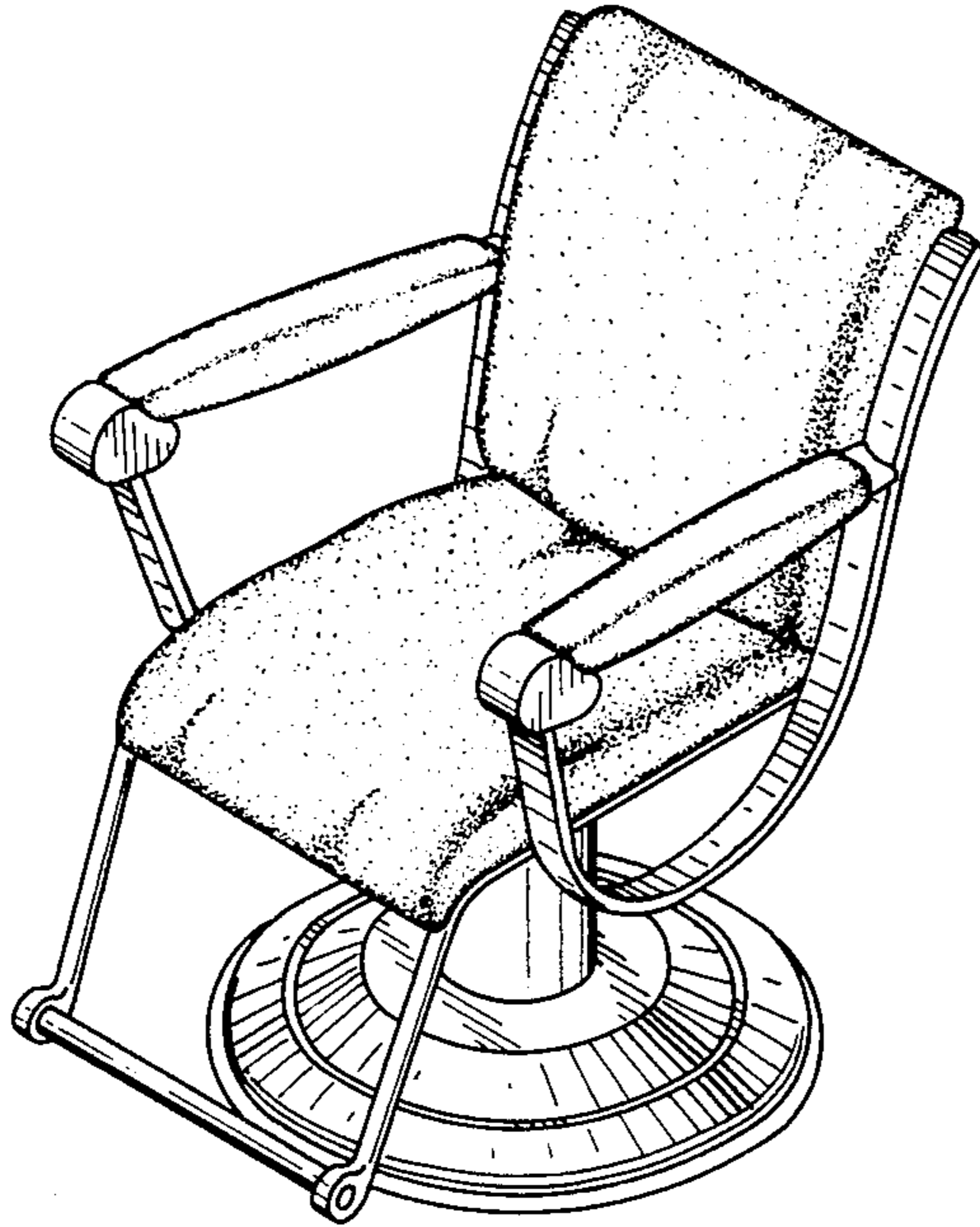


FIG. 2

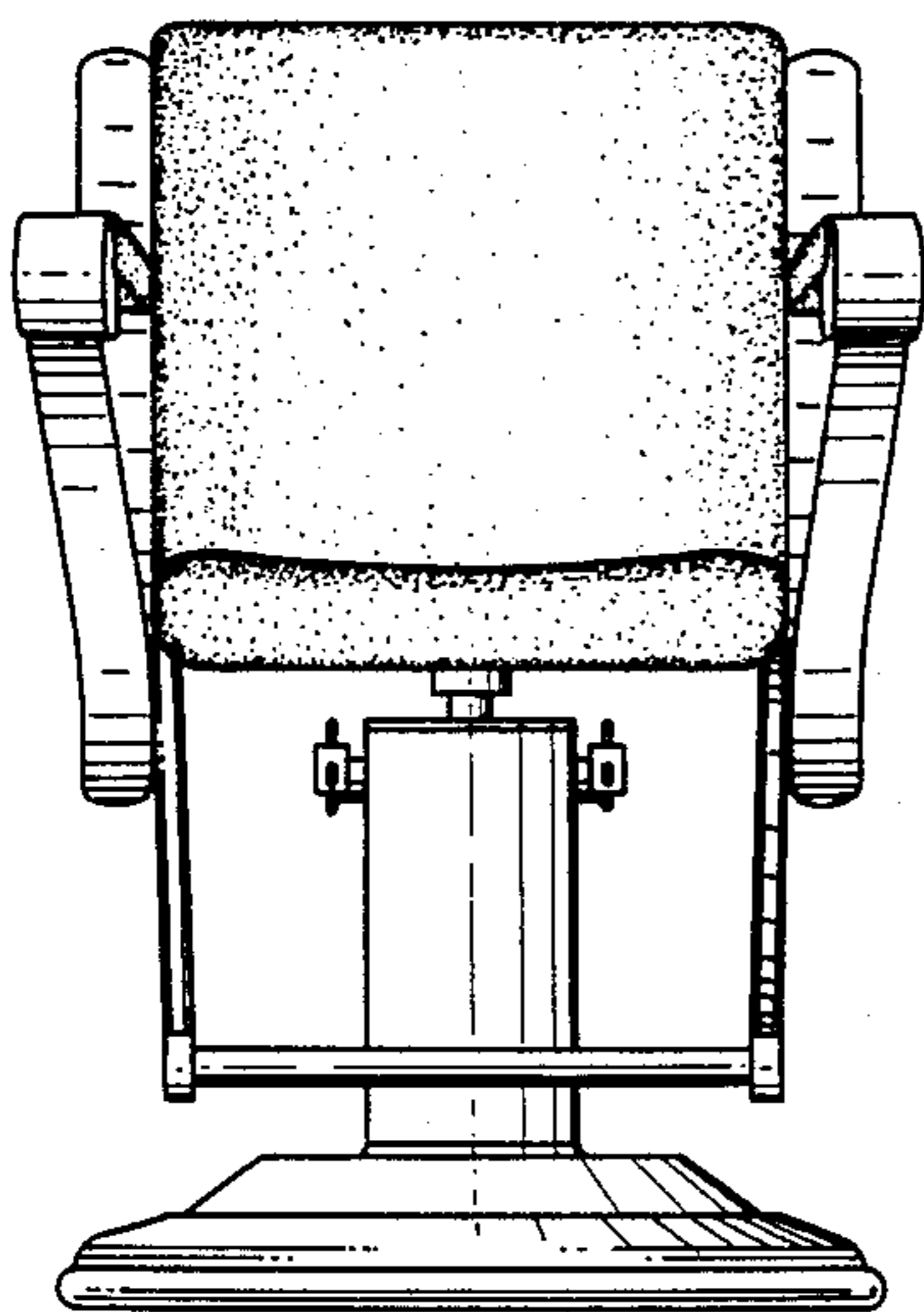


FIG. 3

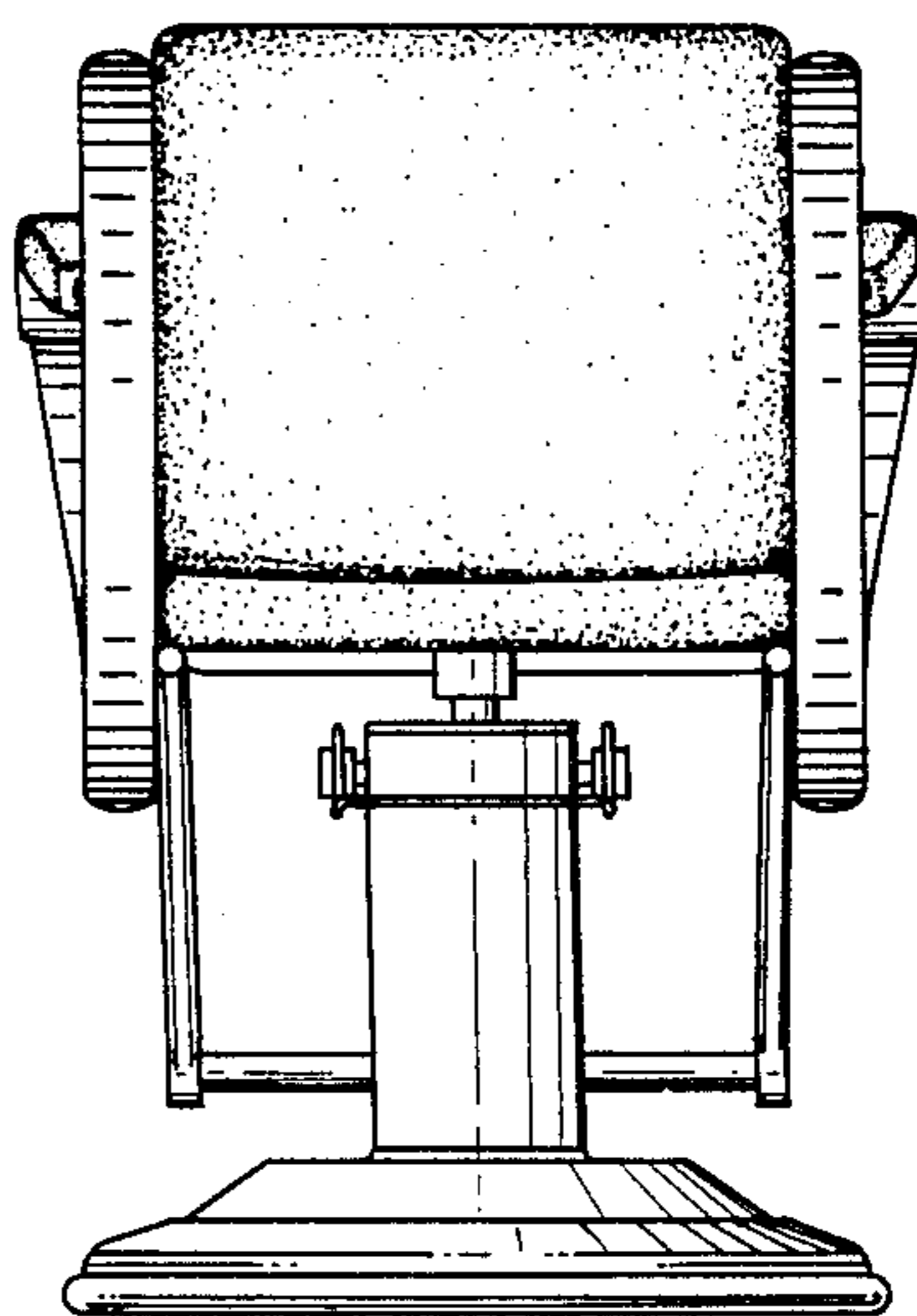


FIG. 4

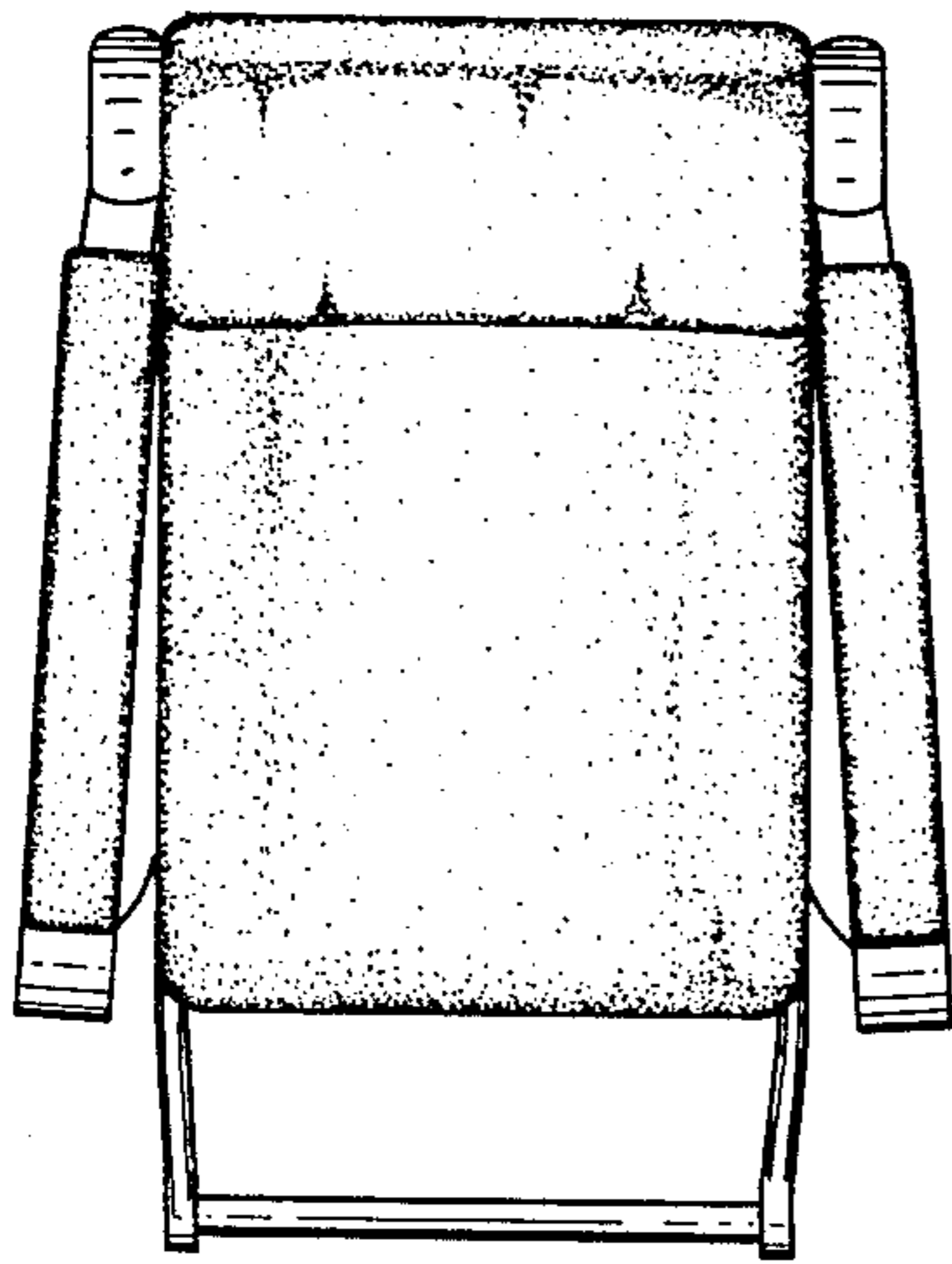


FIG. 5

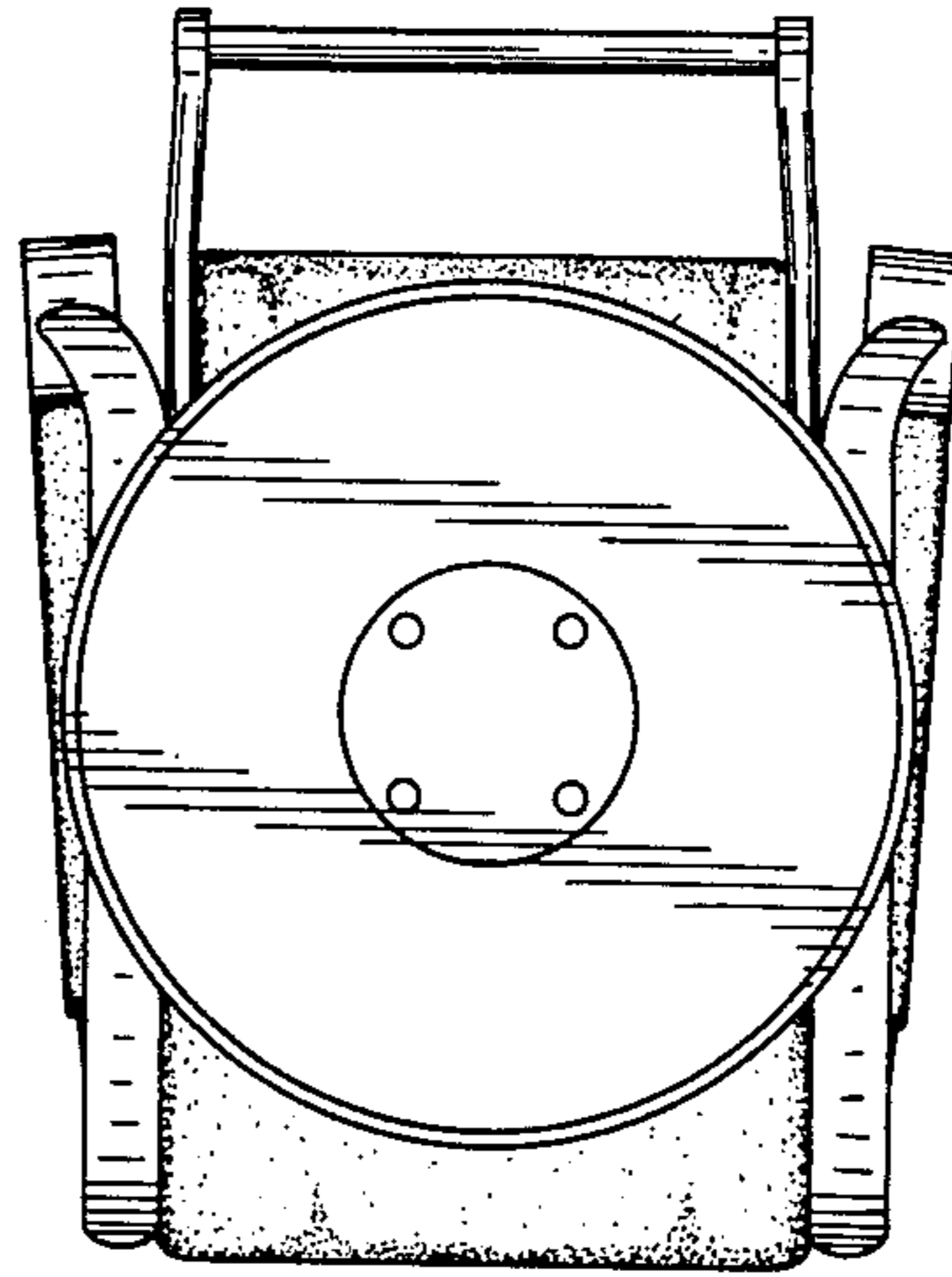


FIG. 6

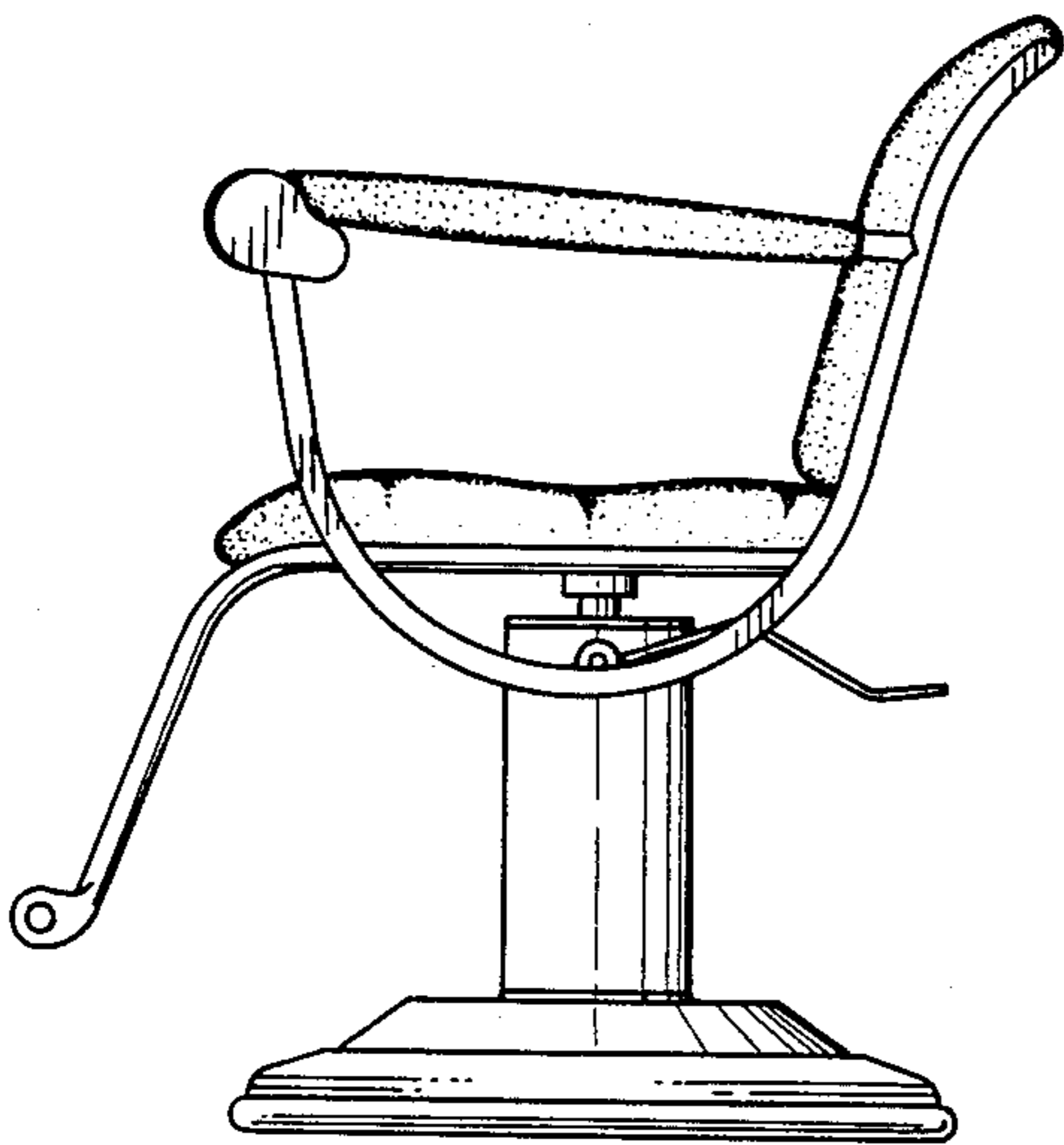


FIG. 7

