

[54] CLIP ON PEN AND PENCIL HOLDER

[76] Inventor: John C. Harrington, 450 Holly St.,
Canfield, Ohio 44506

[**] Term: 14 Years

[21] Appl. No.: 959,567

[22] Filed: Nov. 13, 1978

[51] Int. Cl. D02-99

[52] U.S. Cl. D2/400; D19/65;
D19/85

[58] Field of Search D2/400; D8/395, 394,
D8/396, 104; D19/83, 85, 65; 24/3 R, 10 R, 11
R, 11 FE, 11 HC; 211/69.1, 69.8, 69.9

[56] References Cited

U.S. PATENT DOCUMENTS

D. 235,091 5/1975 Daenen D8/104
801,119 10/1905 Van Alstyne, Jr. 211/69.9

FOREIGN PATENT DOCUMENTS

63376 8/1913 Fed. Rep. of Germany 211/69.8
14804 of 1899 United Kingdom 211/69.8

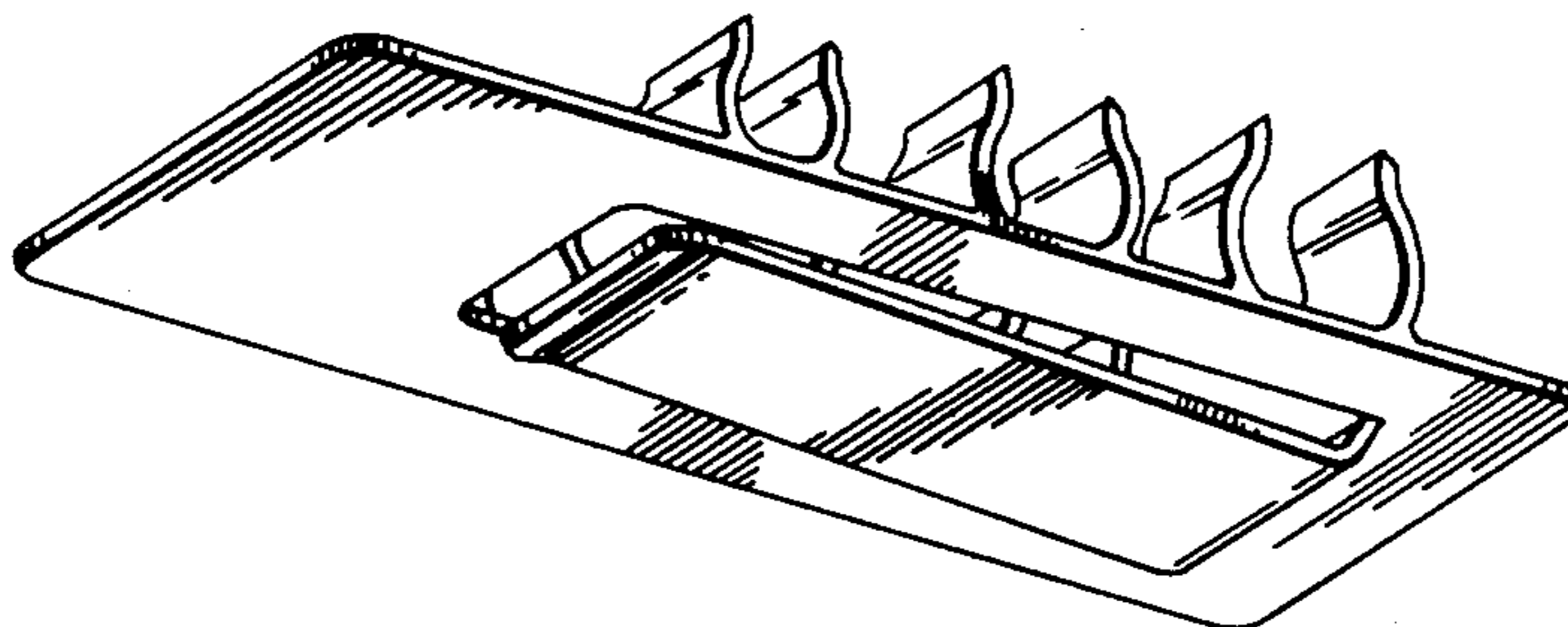
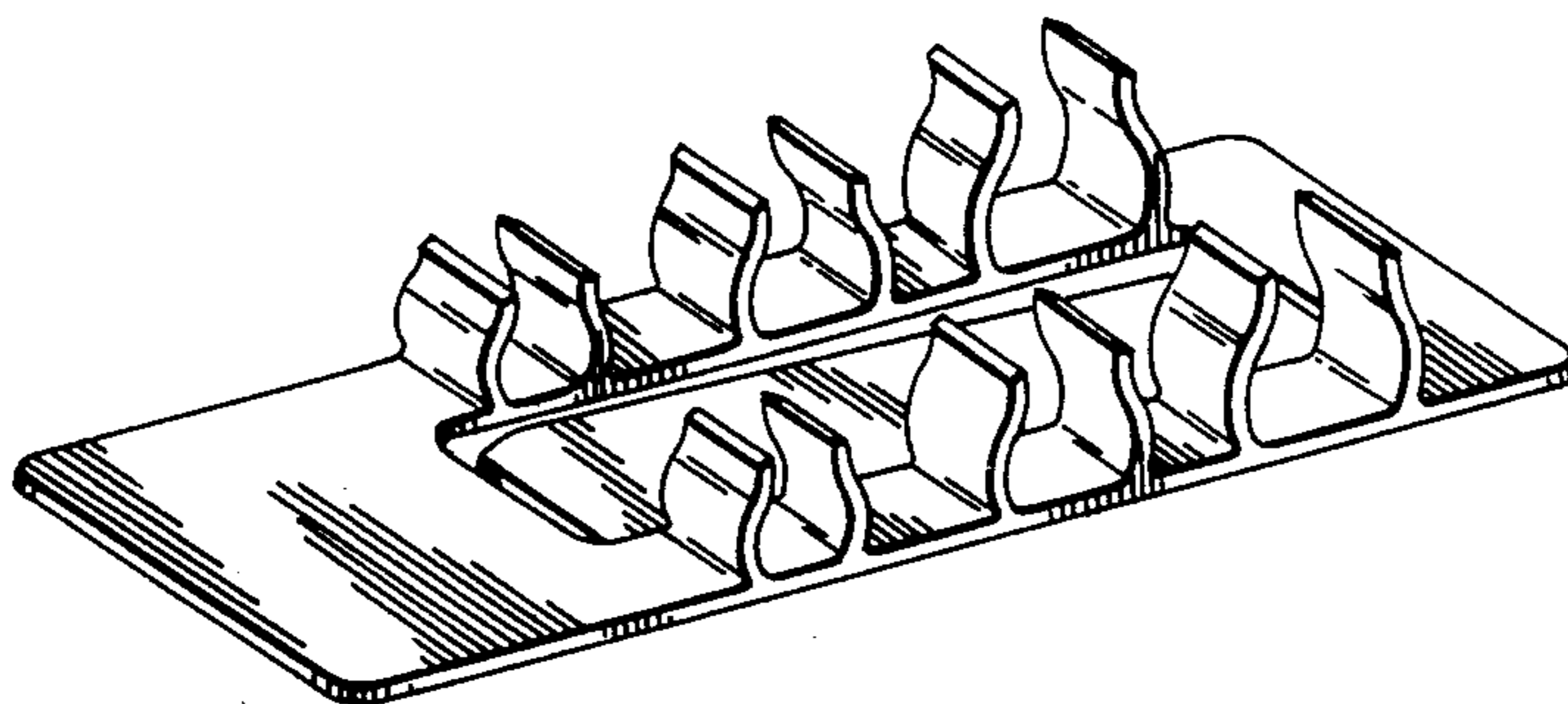
Primary Examiner—Joel Stearman
Assistant Examiner—Carmen H. Vales
Attorney, Agent, or Firm—Webster B. Harpman

[57] CLAIM

The ornamental design for a clip on pen and pencil holder, as shown and described.

DESCRIPTION

FIG. 1 is a top perspective view of the clip on pen and pencil holder; and
FIG. 2 is a bottom perspective view thereof.



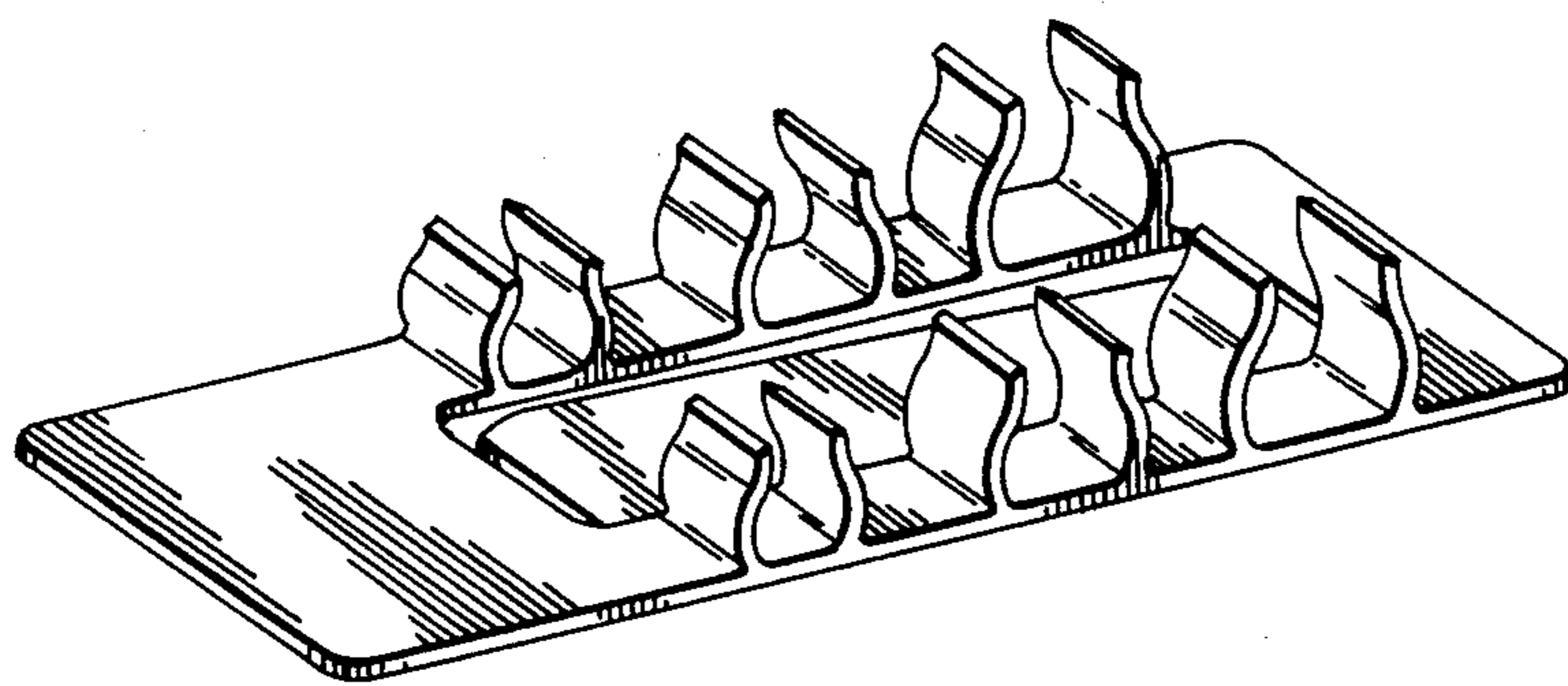


FIG. 1

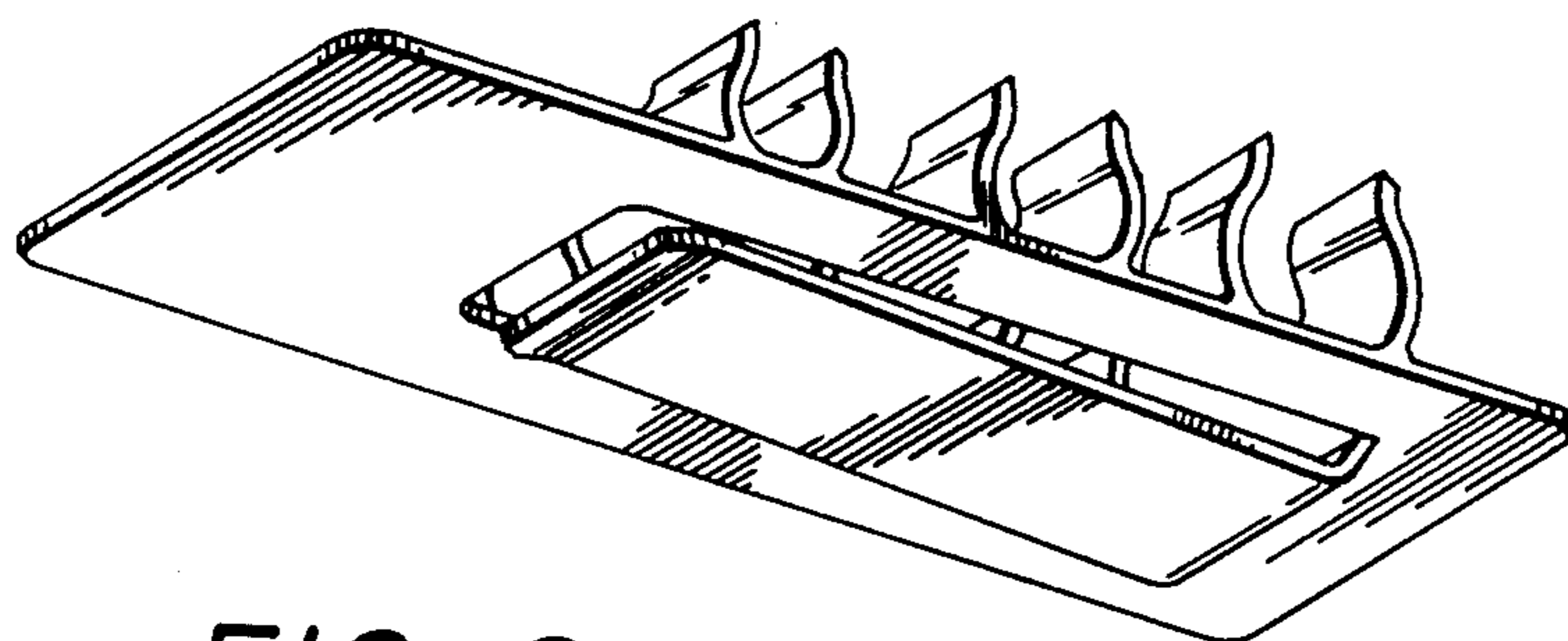


FIG. 2