

[54] **ULTRASONIC PEST REPELLING DEVICE**

[75] **Inventor: Lester B. Hall, Kenmore, N.Y.**

[73] **Assignee: Gary Lester Hall, Kenmore, N.Y.**

[**] **Term: 14 Years**

[21] **Appl. No.: 913,391**

[22] **Filed: Jun. 7, 1978**

[51] **Int. Cl. D99—99**

[52] **U.S. Cl. D99/99; D22/19;
D22/99; D23/150; D30/99; D26/26**

[58] **Field of Search D48/33, 34; D13/25;
43/124, 132; 362/257; 220/2.1 R; 340/15, 384
E; D22/19; D99/99**

[56]

References Cited

U.S. PATENT DOCUMENTS

D. 122,429 9/1940 Anderson D48/33
D. 189,822 2/1961 Plishker D48/33
3,879,702 4/1975 Mancone 43/124

Primary Examiner—Sam Rosen

Attorney, Agent, or Firm—Conrad Christel

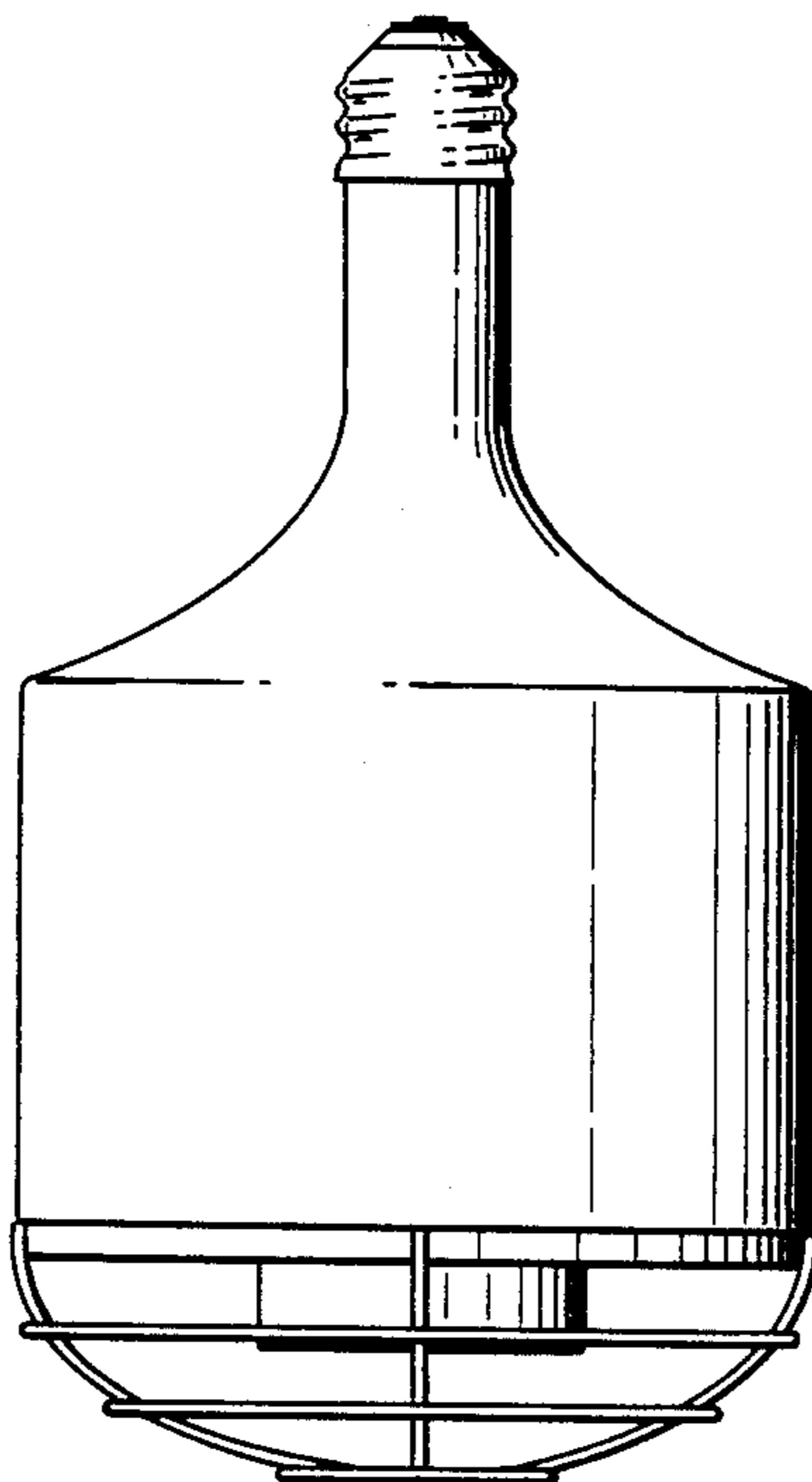
[57]

CLAIM

The ornamental design for an ultrasonic pest repelling device, substantially as shown.

DESCRIPTION

FIG. 1 is a side elevational view of an ultrasonic pest repelling device, showing my new design; FIG. 2 is a top plan view thereof; and FIG. 3 is a bottom plan view thereof.



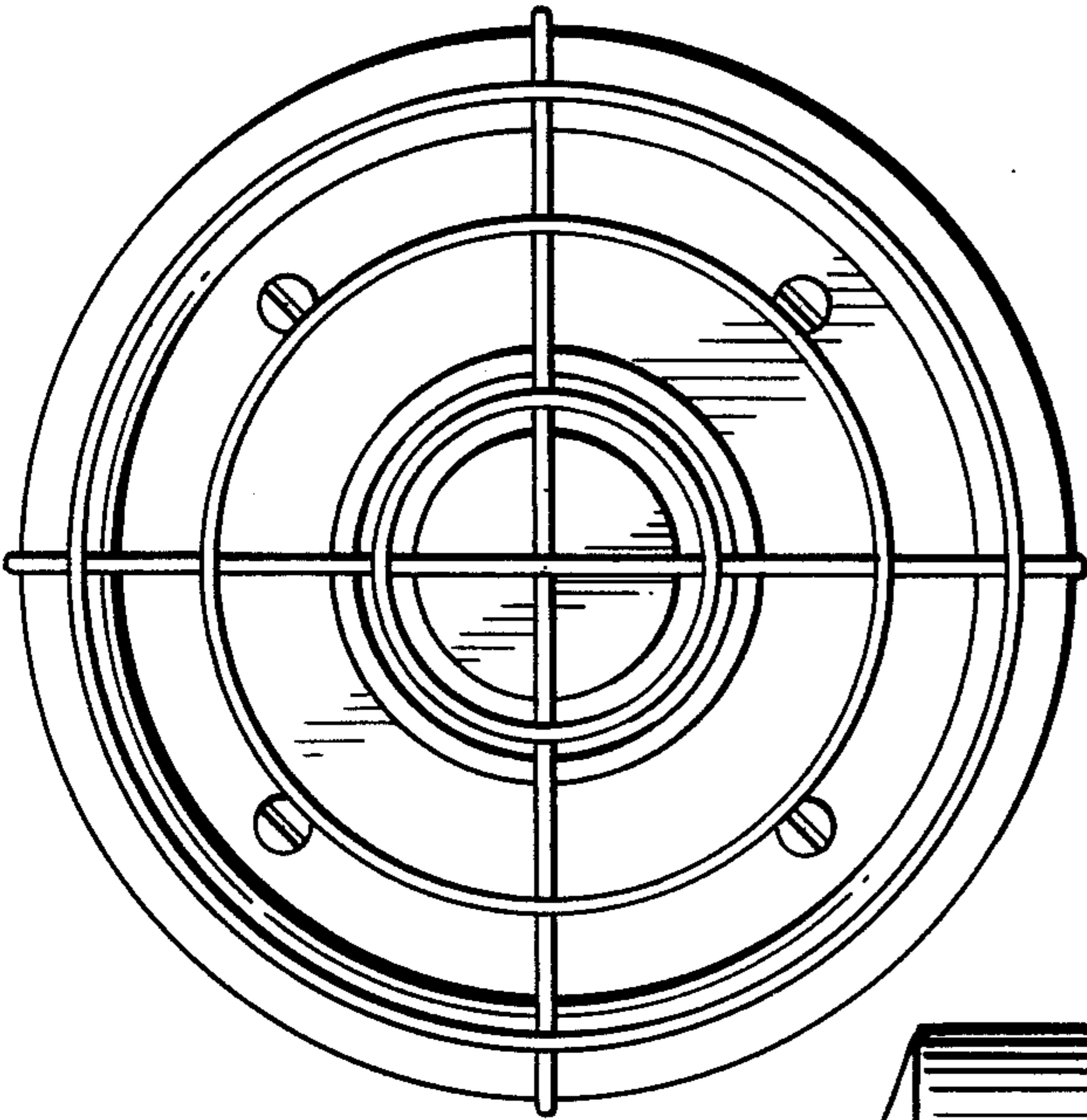


Fig. 3.

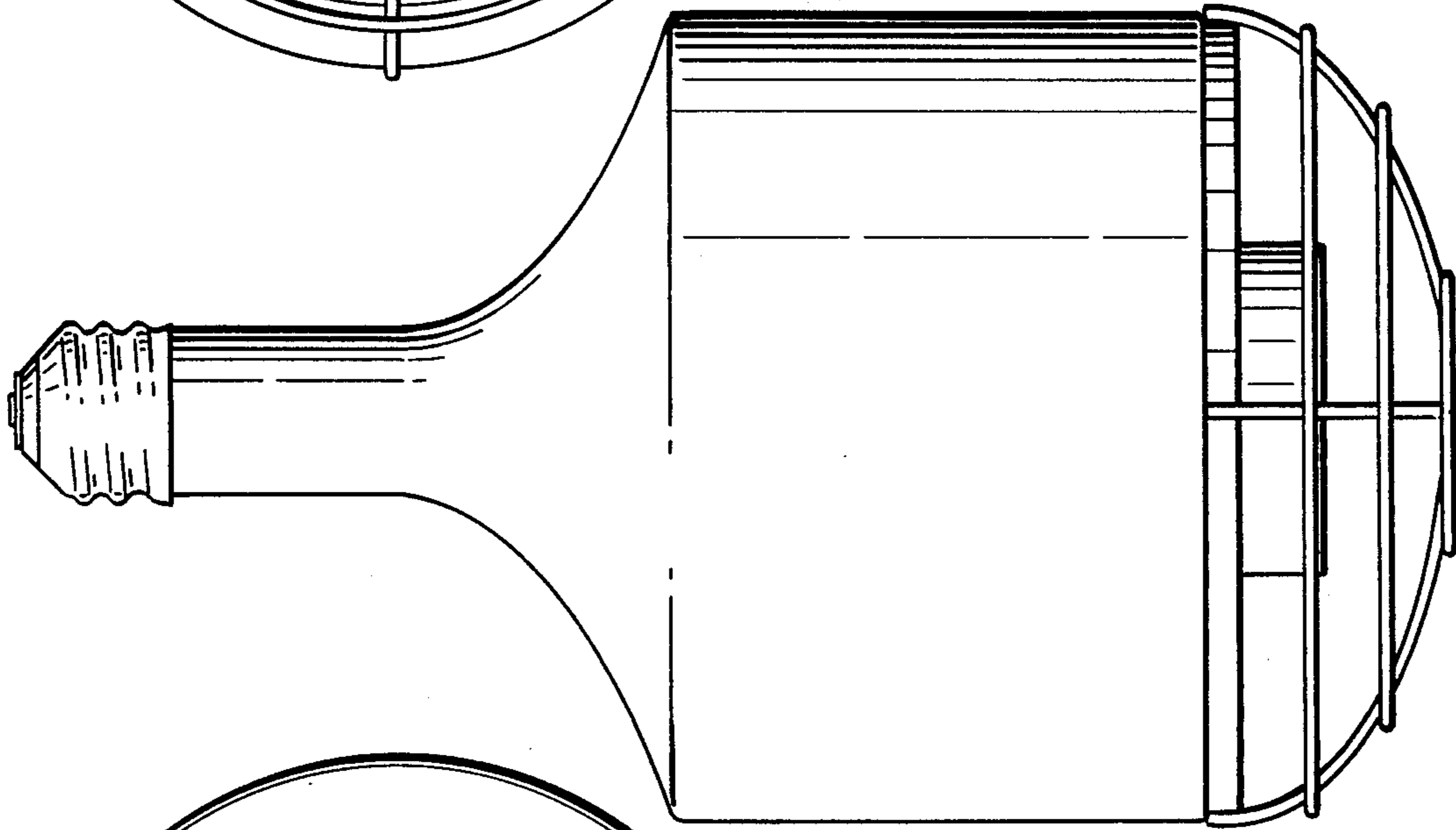


Fig. 1.

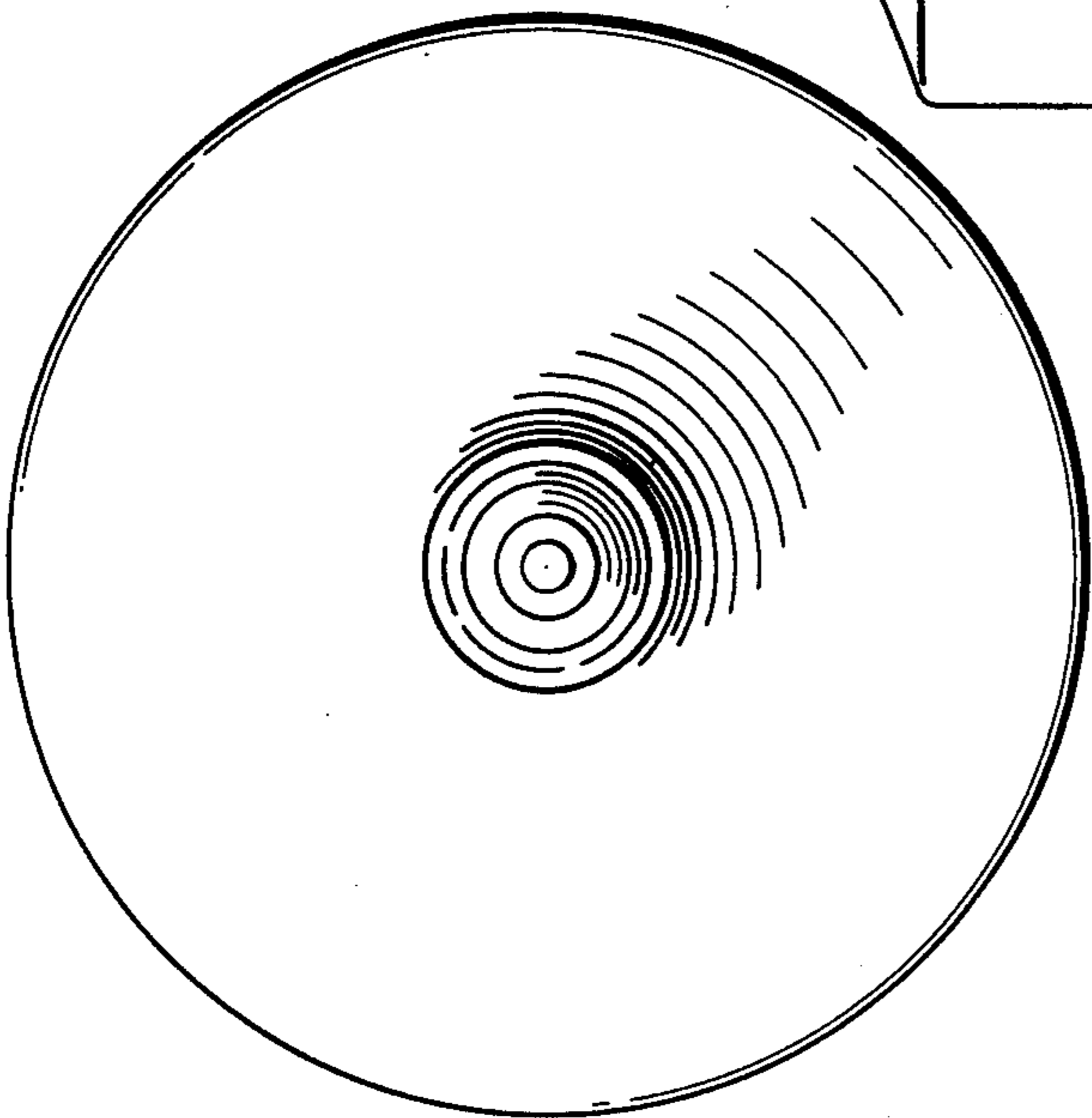


Fig. 2.