

[54] **PASSAGEWAY JOINT FOR A SMALL ANIMAL HABITAT OR THE LIKE**

[75] Inventors: **James B. Stewart**, Randolph Township, Morris County; **John A. Molnar**, Metuchen, both of N.J.

[73] Assignee: **Metaframe Corporation**, Elmwood Park, N.J.

[\*\*] Term: **14 Years**

[21] Appl. No.: **814,478**

[22] Filed: **Jul. 11, 1977**

[51] Int. Cl. .... **D30-02**

[52] U.S. Cl. .... **D30/2**

[58] Field of Search ..... **D30/1-5, D30/41-99; 119/15**

3,789,799 2/1974 Orfei ..... 119/15

3,859,961 1/1975 Willinger et al. .... 119/15

3,865,082 2/1975 Louitz et al. .... 119/15 X

3,958,534 5/1976 Perkins et al. .... 119/15

3,999,519 12/1976 Rodemeyer ..... 119/15 X

*Primary Examiner*—James R. Largen  
*Attorney, Agent, or Firm*—John G. Mesaros

[57] **CLAIM**

The ornamental design for a passageway joint for a small animal habitat or the like, as shown and described.

**DESCRIPTION**

FIG. 1 is a top plan view of a passageway joint for a small animal habitat or the like showing our new design; FIG. 2 is a front elevational view thereof, the rear being the same as the front shown; FIG. 3 is a bottom plan view thereof; FIG. 4 is an end elevational view thereof, the opposite end being the same as the end shown; FIG. 5 is an exploded end elevational view thereof; and FIG. 6 is a top plan view of the bottom half thereof. It is to be understood that the claimed passageway joint is shaded to indicate transparency in all six views.

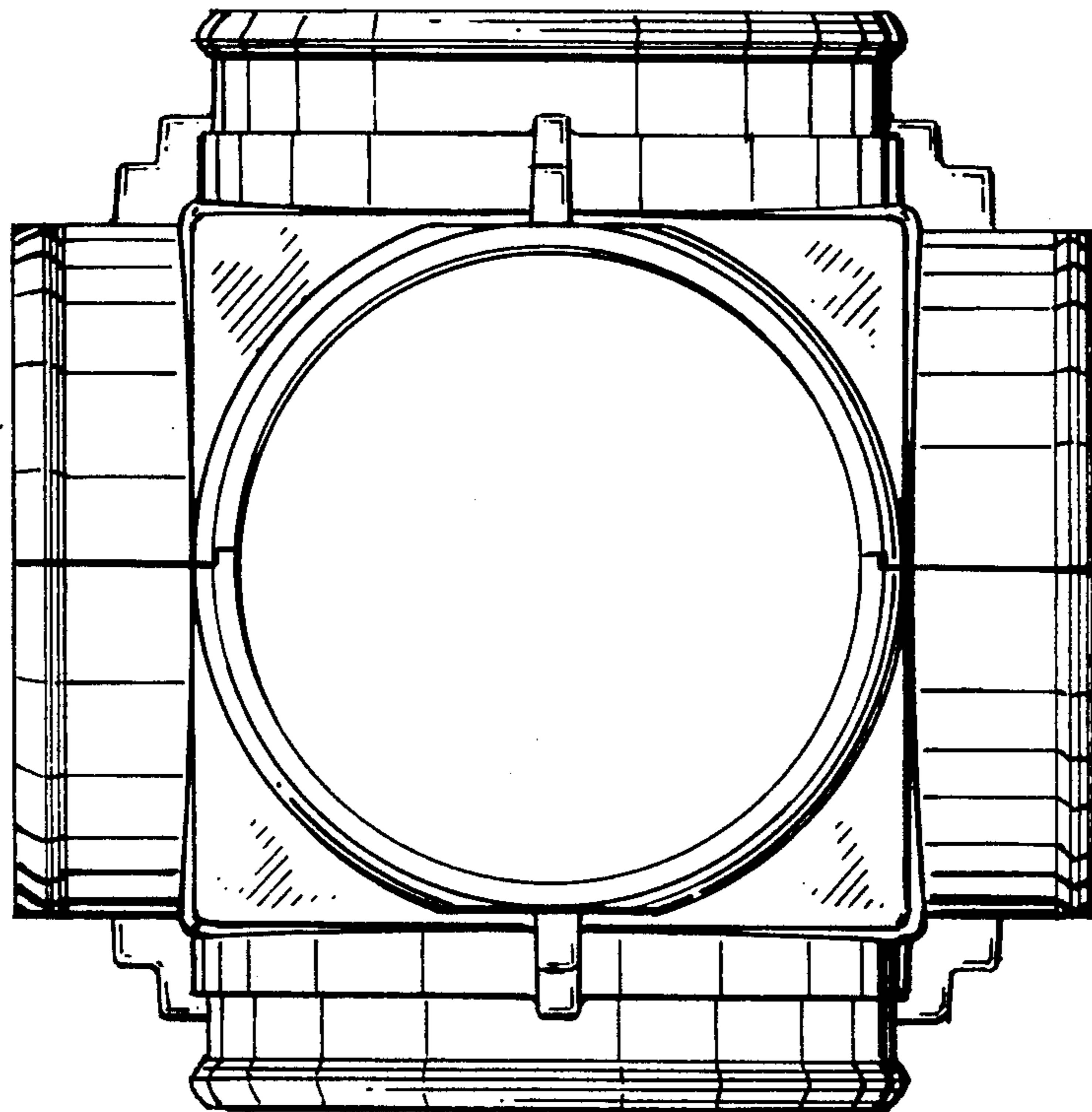
[56] **References Cited**

**U.S. PATENT DOCUMENTS**

D. 231,367 4/1974 Willinger et al. .... D30/1

D. 231,372 4/1974 Willinger et al. .... D30/42

3,742,908 7/1973 Merino ..... 119/15



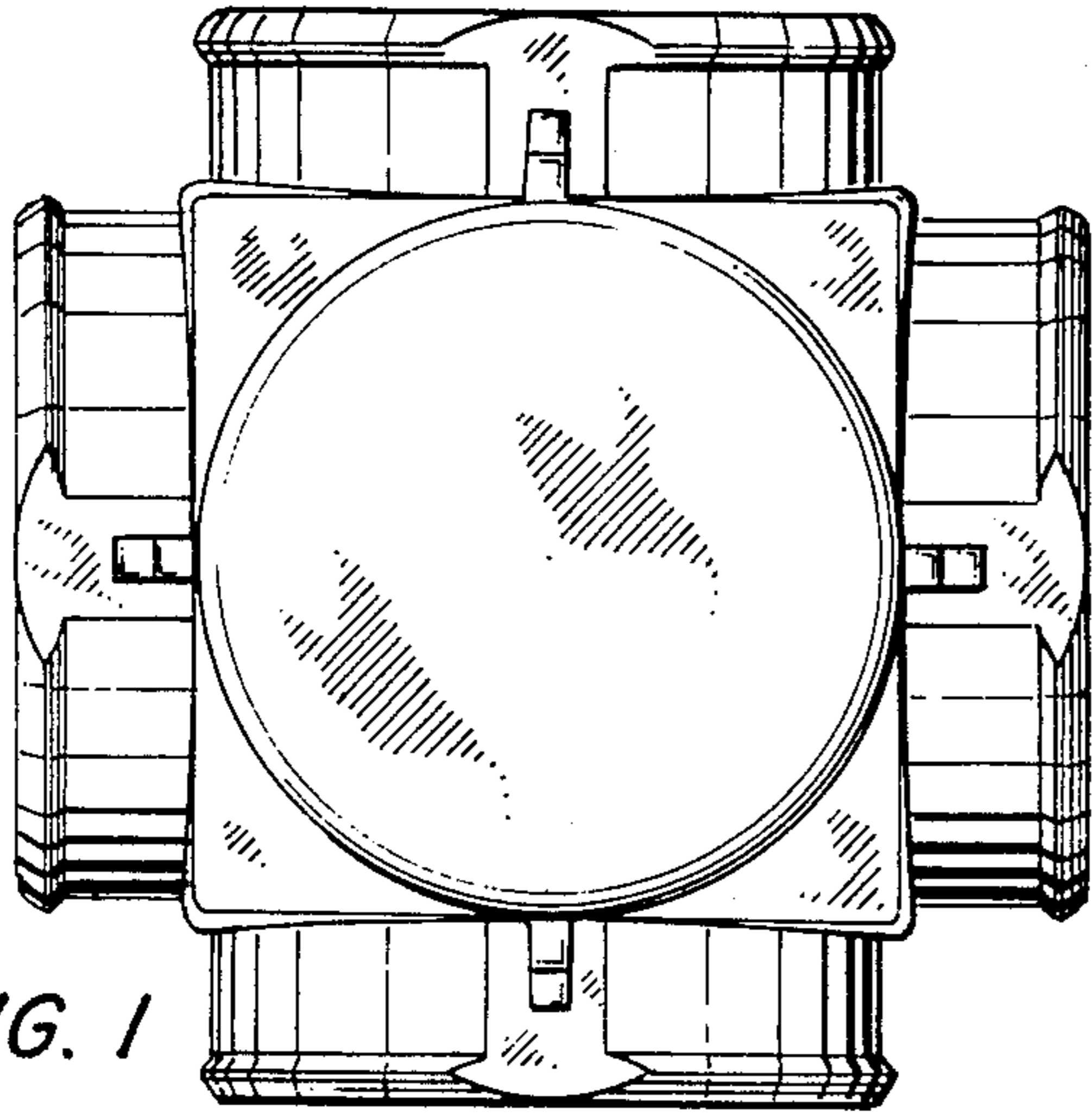


FIG. 1

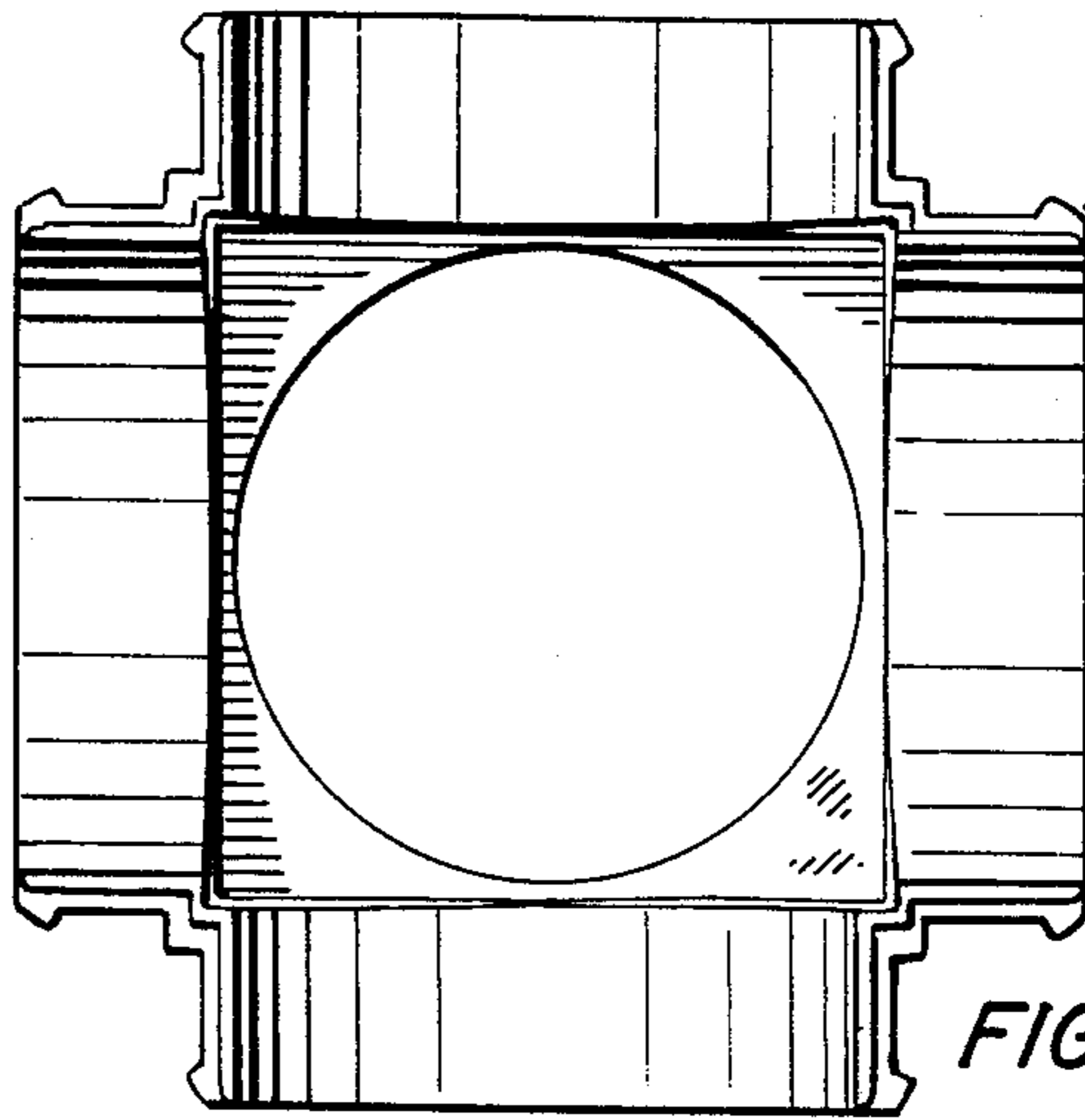


FIG. 6

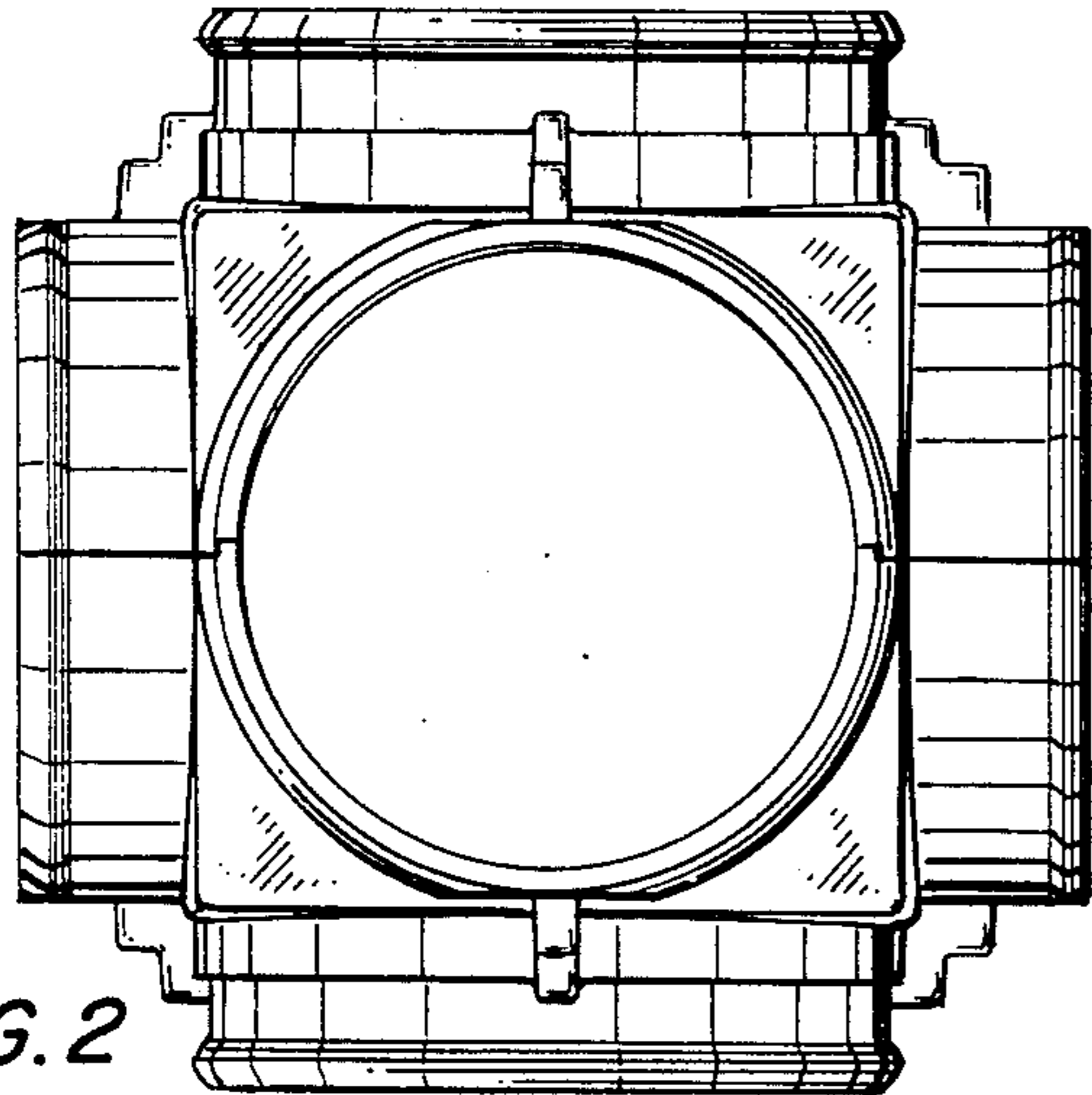


FIG. 2

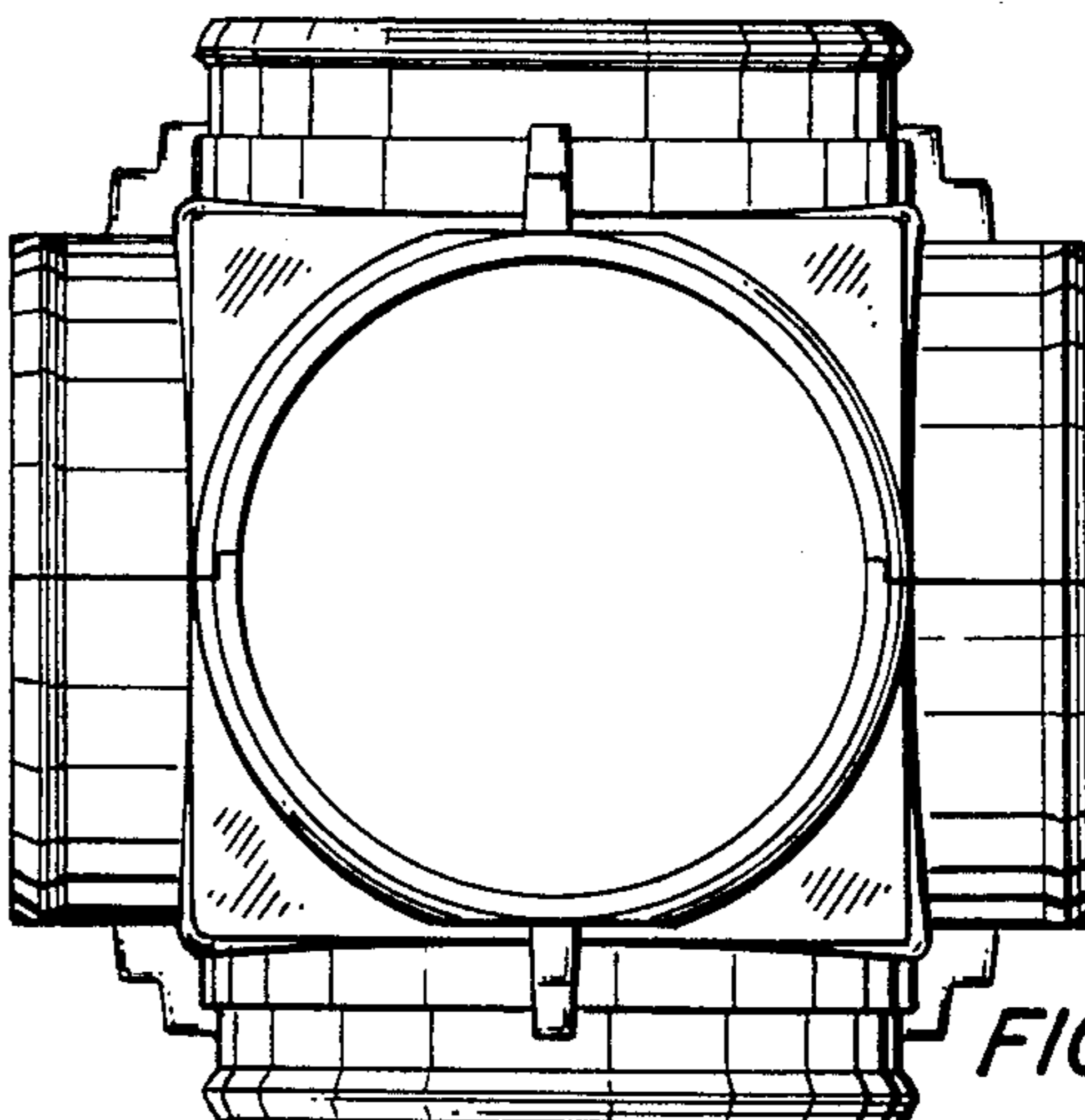


FIG. 4

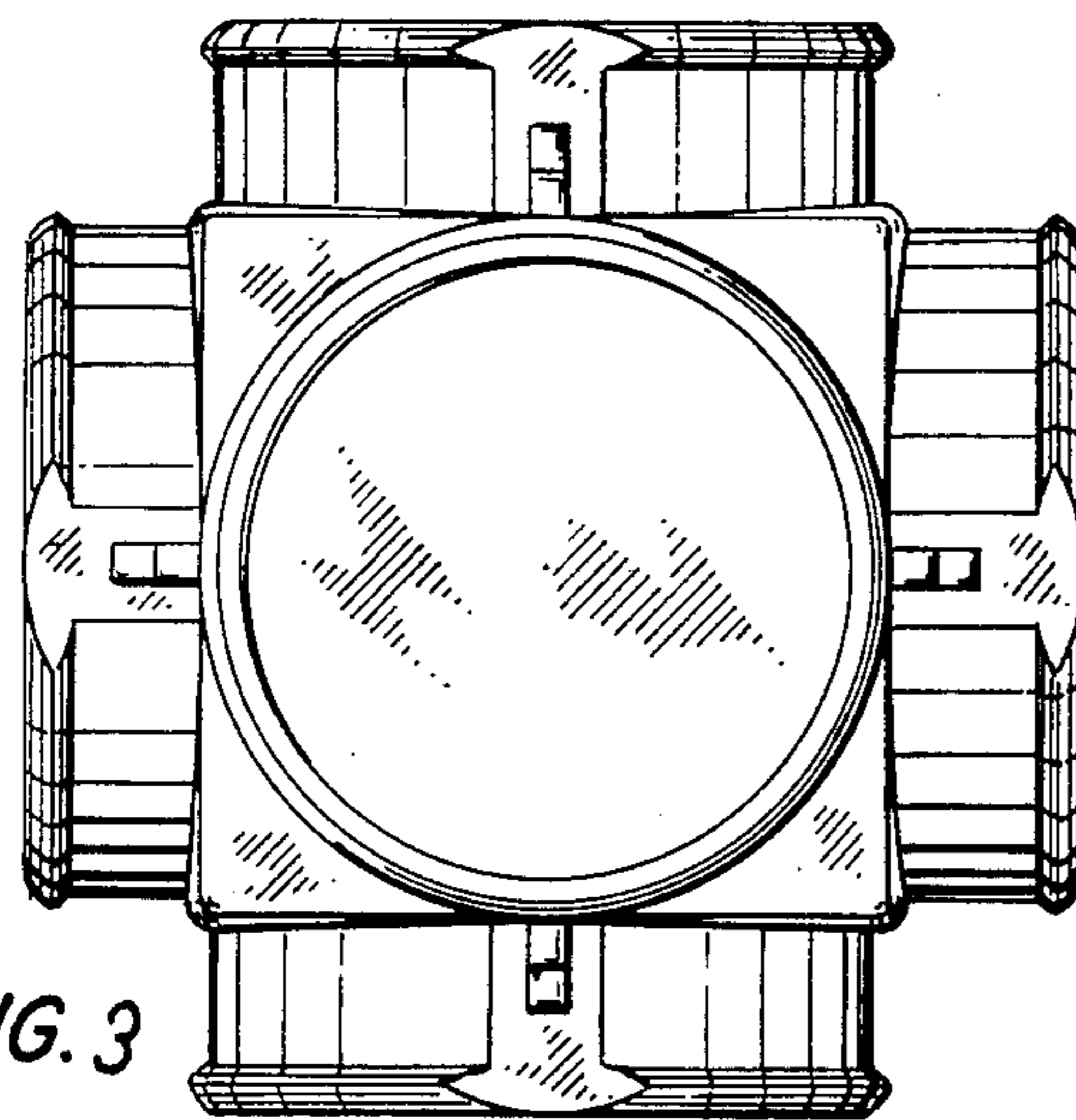


FIG. 3

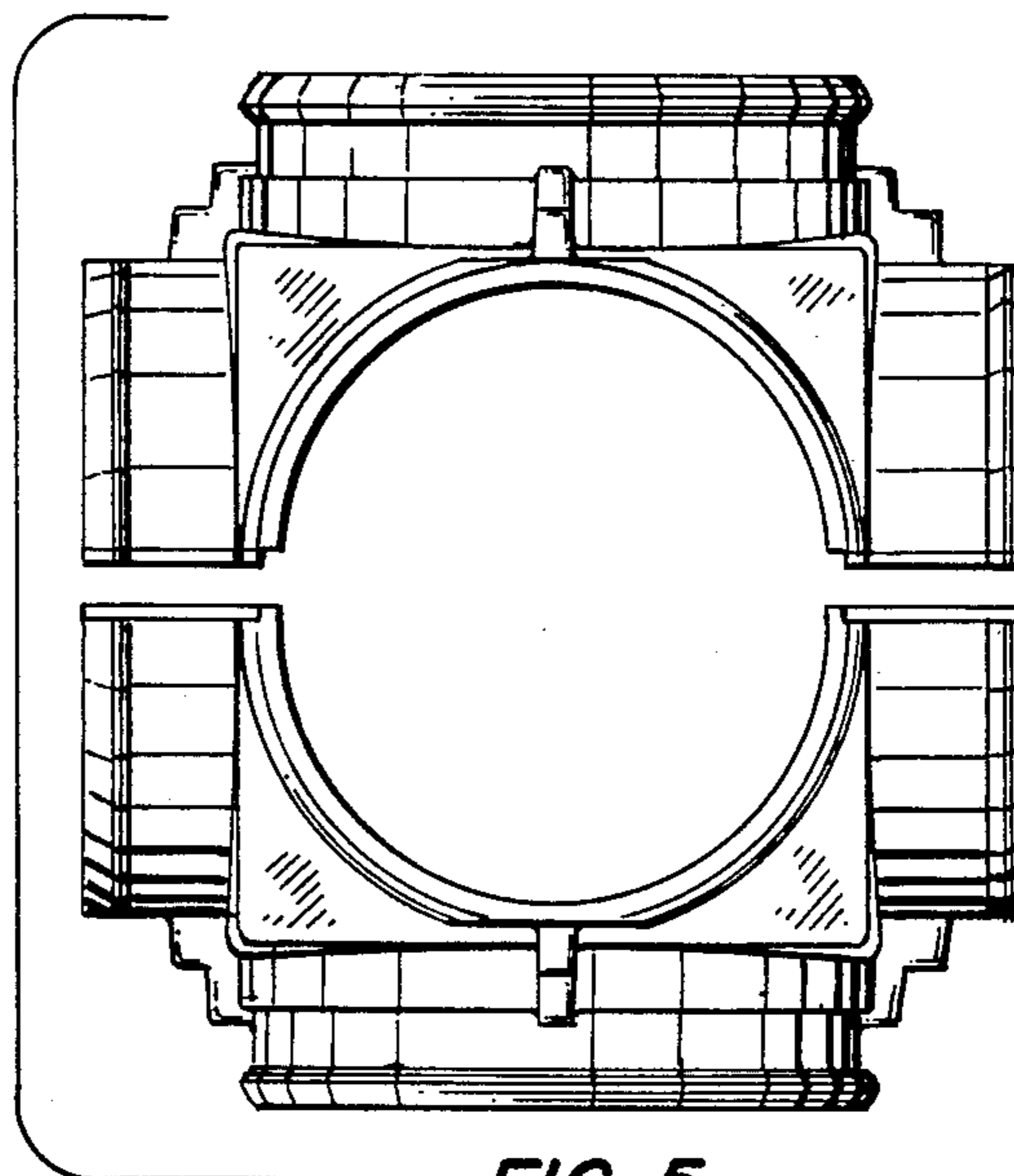


FIG. 5