

[54] ORTHODONTIC WIRE HOLDER

[75] Inventor: Arthur J. Sable, Boulder, Colo.

[73] Assignee: Rocky Mountain Associates
International, Inc., Denver, Colo.

[**] Term: 14 Years

[21] Appl. No.: 891,486

[22] Filed: Mar. 29, 1978

[51] Int. Cl. D24-99

[52] U.S. Cl. D24/10; D24/16;
433/2

[58] Field of Search D24/10, 16; D6/157,
D6/188; 248/74 A; 211/69; 433/2

[56]

References Cited

U.S. PATENT DOCUMENTS

893,355 7/1908 McIntyre 211/69
2,809,004 10/1957 Kaufman 248/74 A

Primary Examiner—W. Stallard
Attorney, Agent, or Firm—Philip H. Sheridan

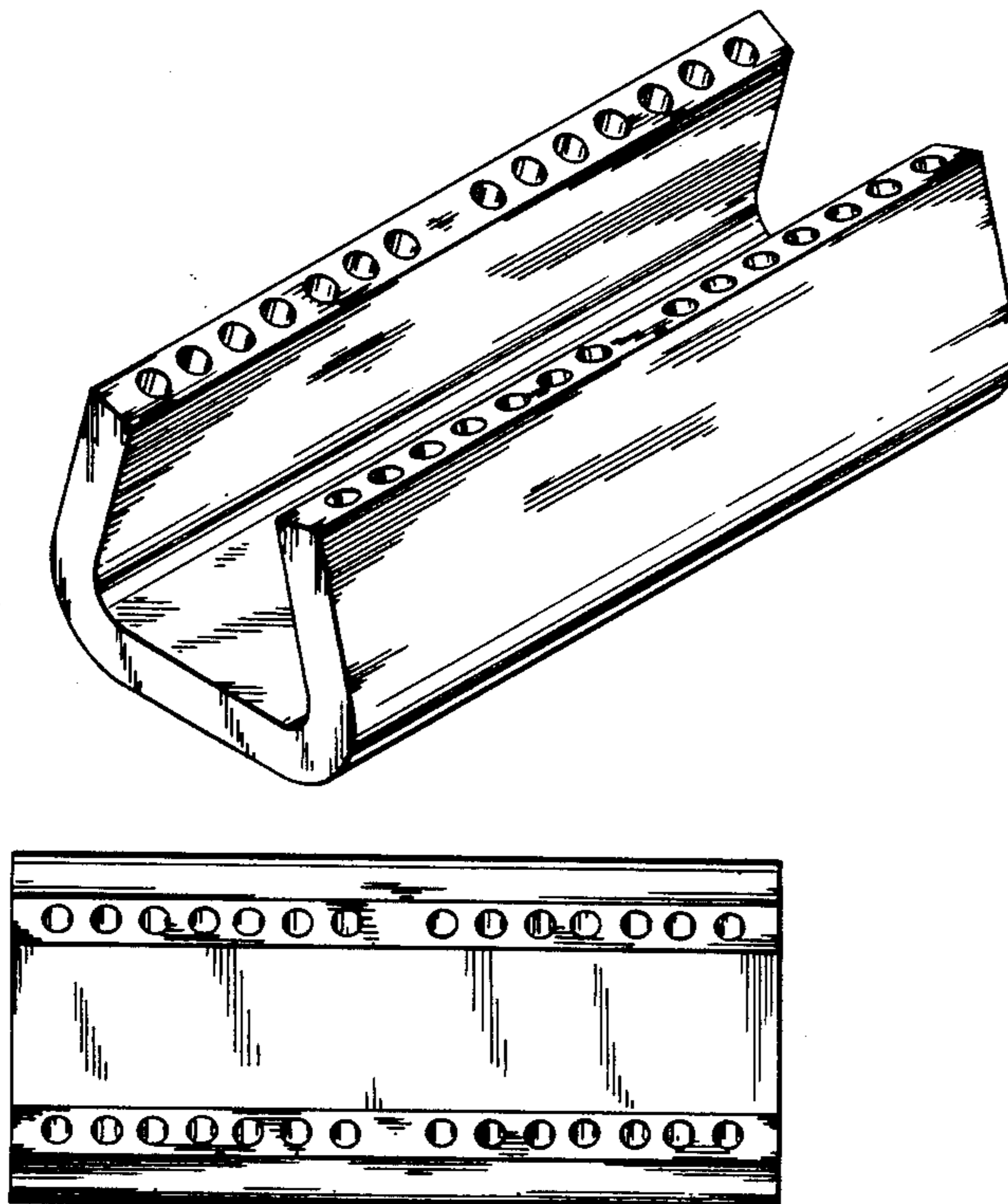
[57]

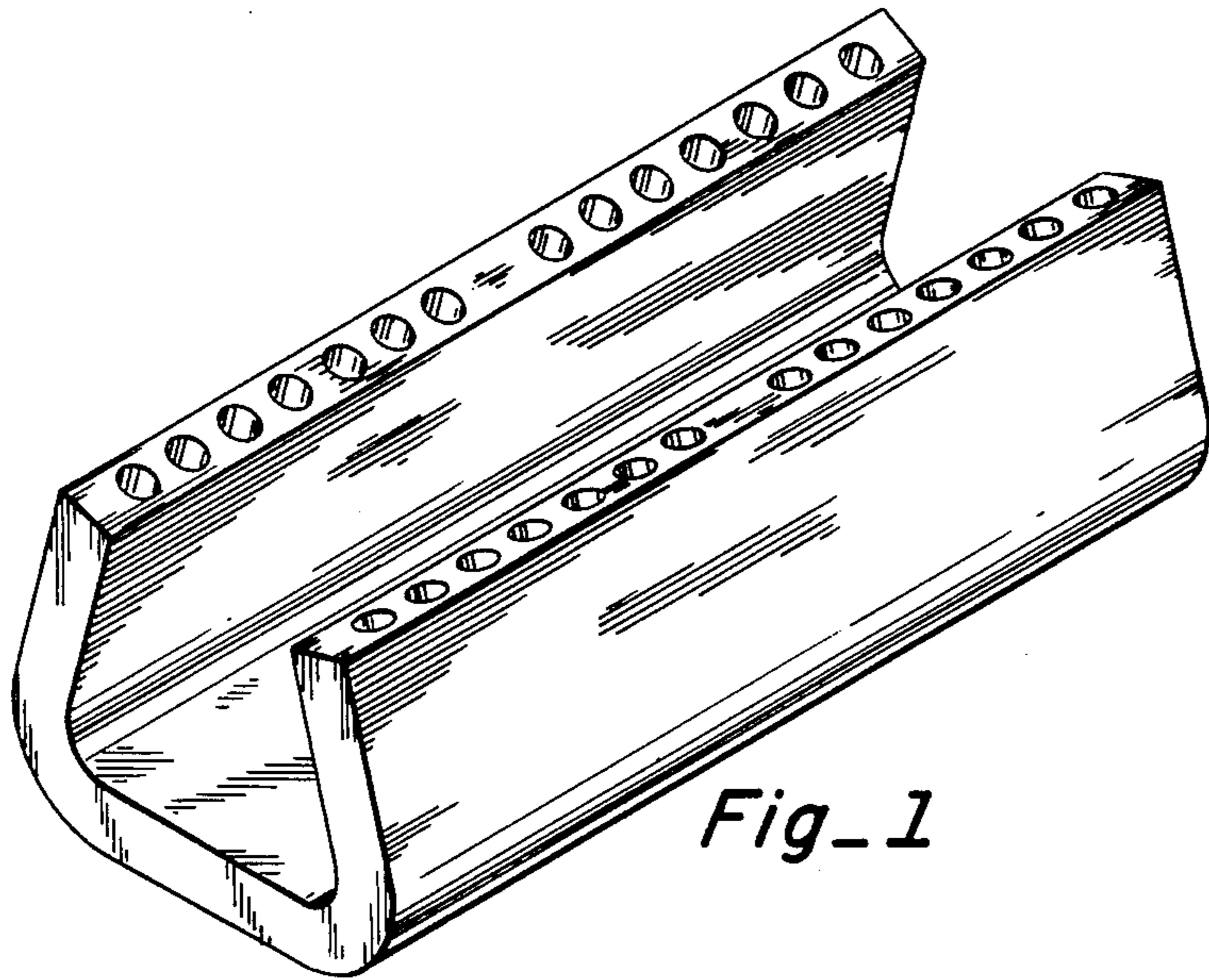
CLAIM

The ornamental design for the orthodontic wire holder,
as shown and described.

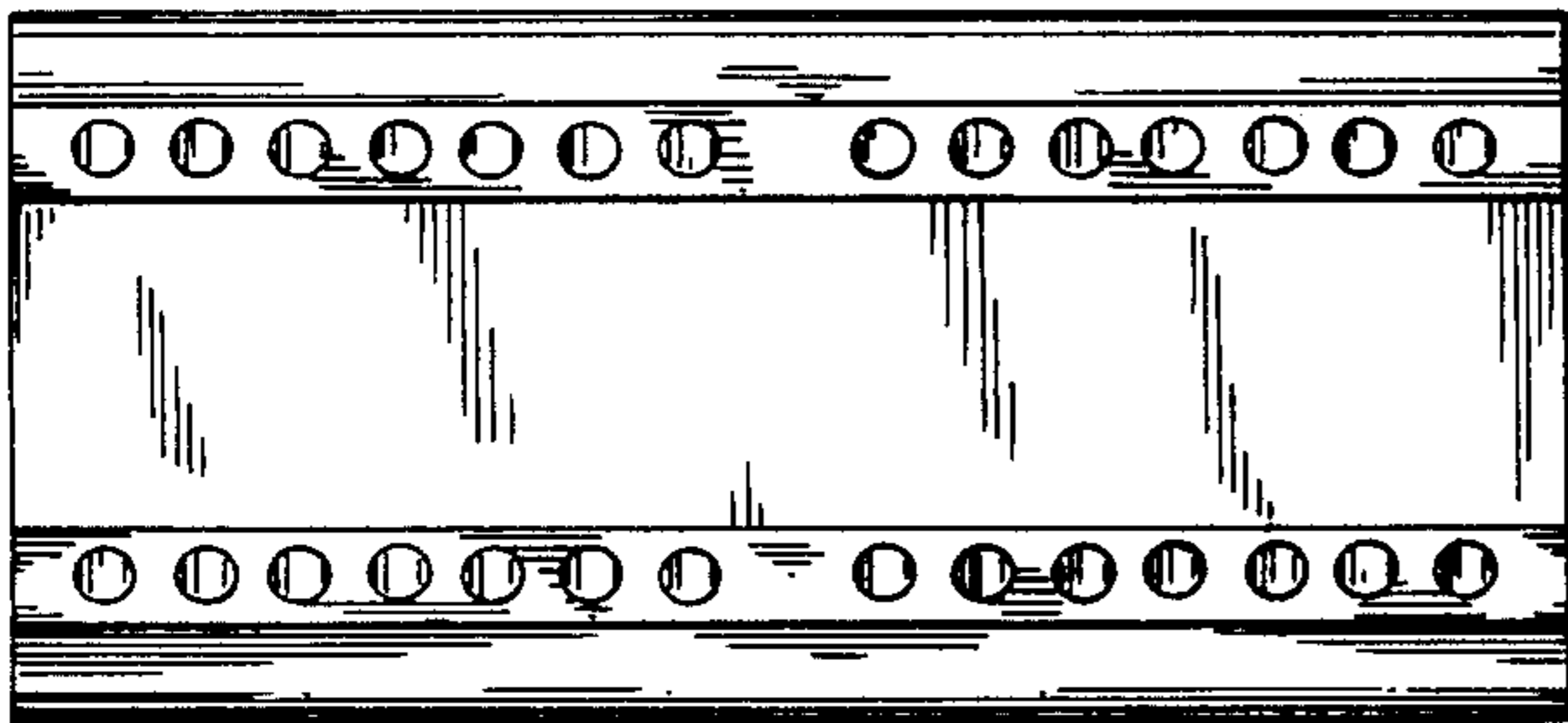
DESCRIPTION

FIG. 1 is a perspective view of the orthodontic wire holder showing my new design;
FIG. 2 is a top plan view thereof;
FIG. 3 is a side elevation view thereof;
FIG. 4 is an end elevation view thereof; and
FIG. 5 is a bottom plan view thereof.
The side of the orthodontic wire holder opposite to that shown in FIG. 3 is a mirror image thereof.

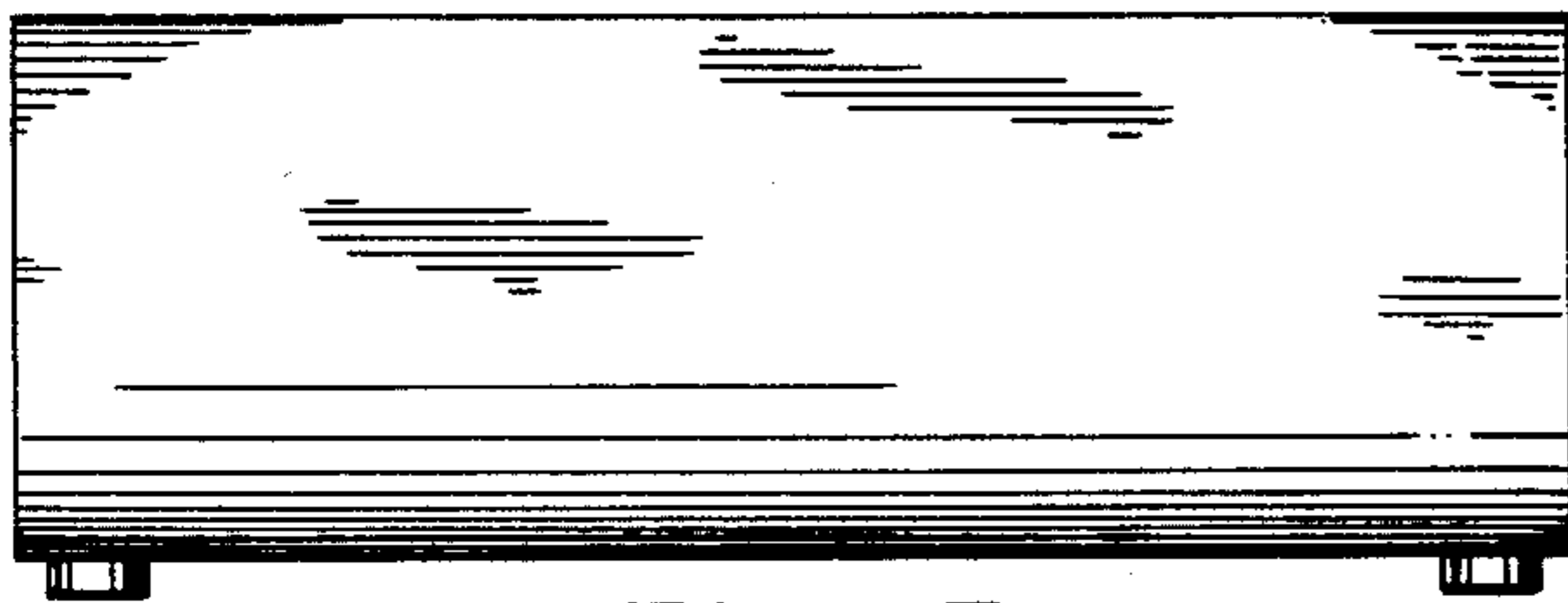




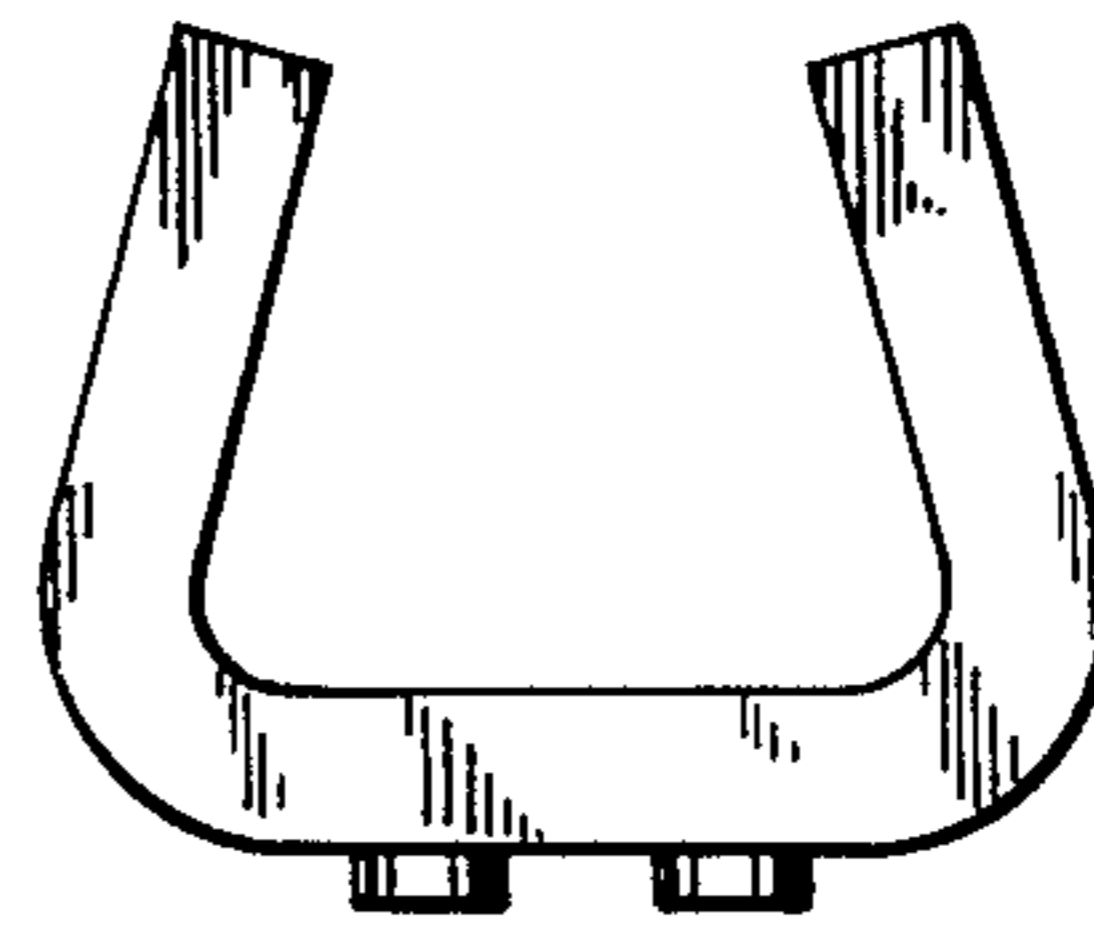
Fig_1



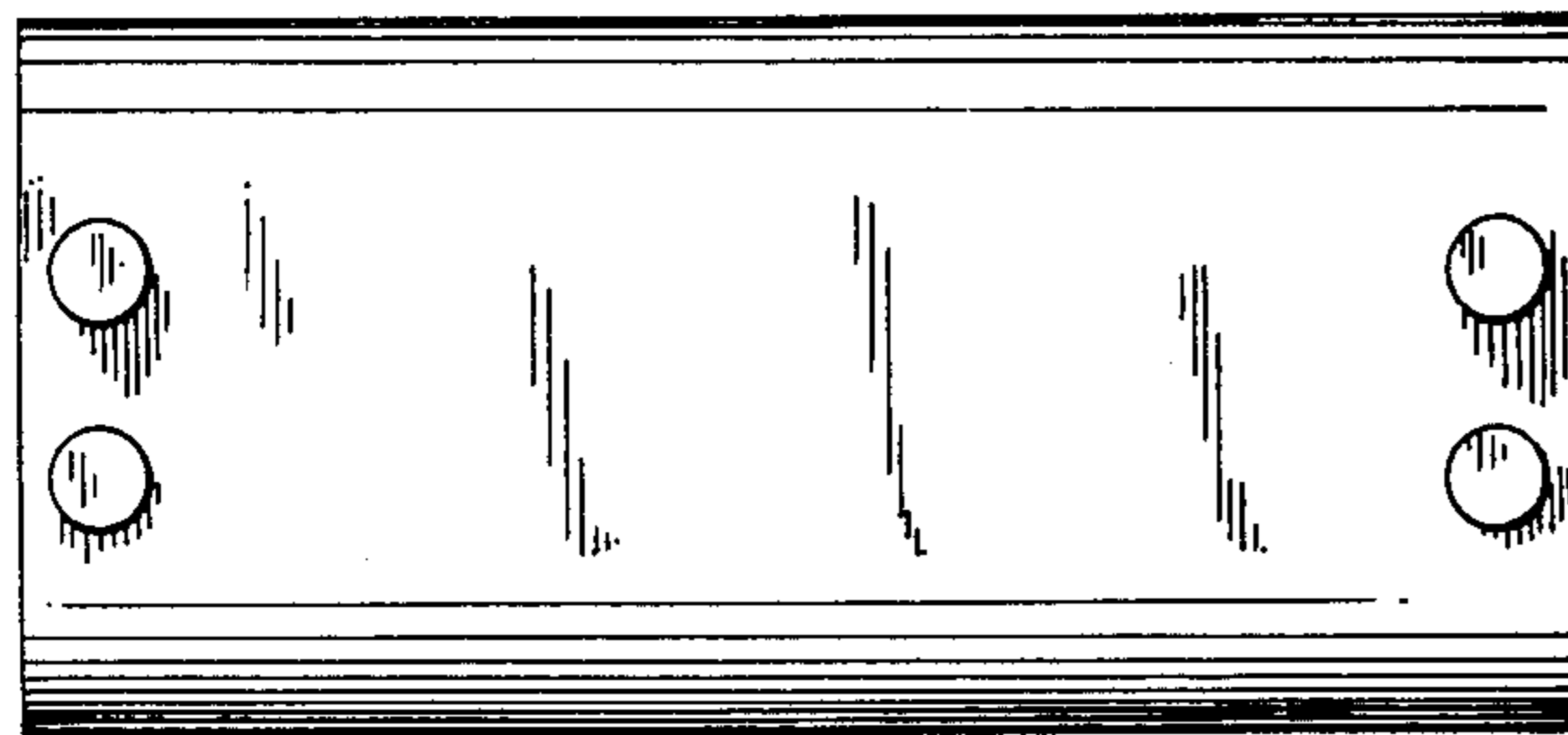
Fig_2



Fig_3



Fig_4



Fig_5