

[54] DRUM PUMP

[75] Inventor: Karl Willis, Lymm, England

[73] Assignee: Le-Cas Limited, Warrington, England

[**] Term: 14 Years

[21] Appl. No.: 969,196

[22] Filed: Dec. 13, 1978

[30] Foreign Application Priority Data

Jun. 27, 1978 [GB] United Kingdom 985208/78

[51] Int. Cl. D23-01

[52] U.S. Cl. D23/14

[58] Field of Search D23/14-16; 222/382, 383, 384, 400.8, 464

[56] References Cited

U.S. PATENT DOCUMENTS

- D. 10,000 4/1877 Heinigku D23/14
- D. 115,814 7/1939 Deters D23/14

1,338,739	5/1920	Lano	222/383
1,466,804	9/1923	Orr	222/383 X
1,517,805	12/1924	Spaeth	222/383 X
1,610,637	12/1926	Wertz	222/383 X
2,344,005	3/1944	Sundholm	222/382
3,473,479	10/1969	Sundholm	222/382 X
4,114,782	9/1978	Berry	222/383 X

OTHER PUBLICATIONS

Willis Pumps Ltd., brochure on Barrel Pump K-4.

Primary Examiner—James R. Largen

Attorney, Agent, or Firm—Roberts B. Larson

[57] CLAIM

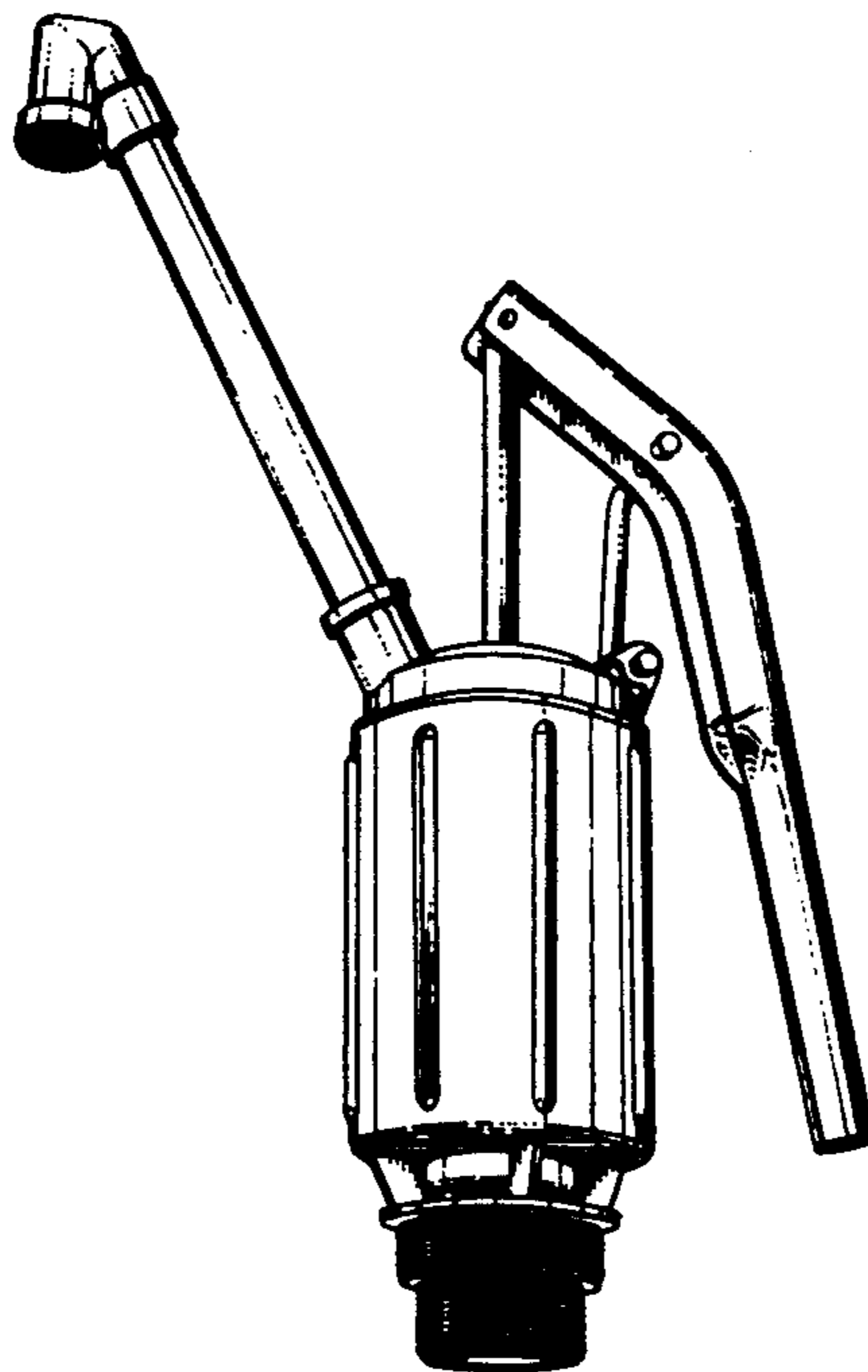
The ornamental design for a drum pump, substantially as shown.

DESCRIPTION

FIG. 1 is a perspective view taken from the bottom, front and right side of a drum pump showing my new design;

FIG. 2 is another perspective view taken from the top, rear and left side thereof; and

FIG. 3 is a bottom plan view thereof.



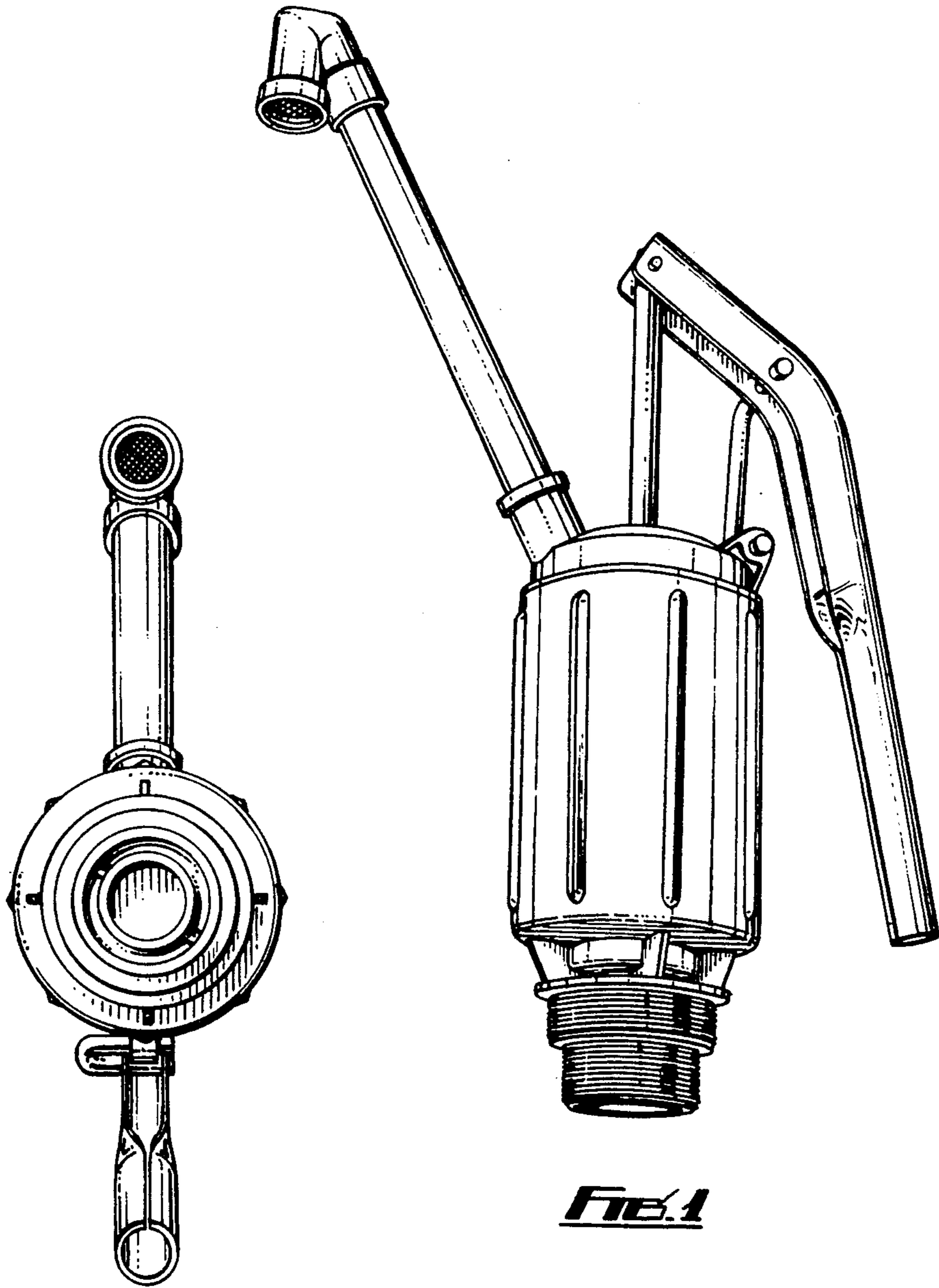


FIG. 1

FIG. 3

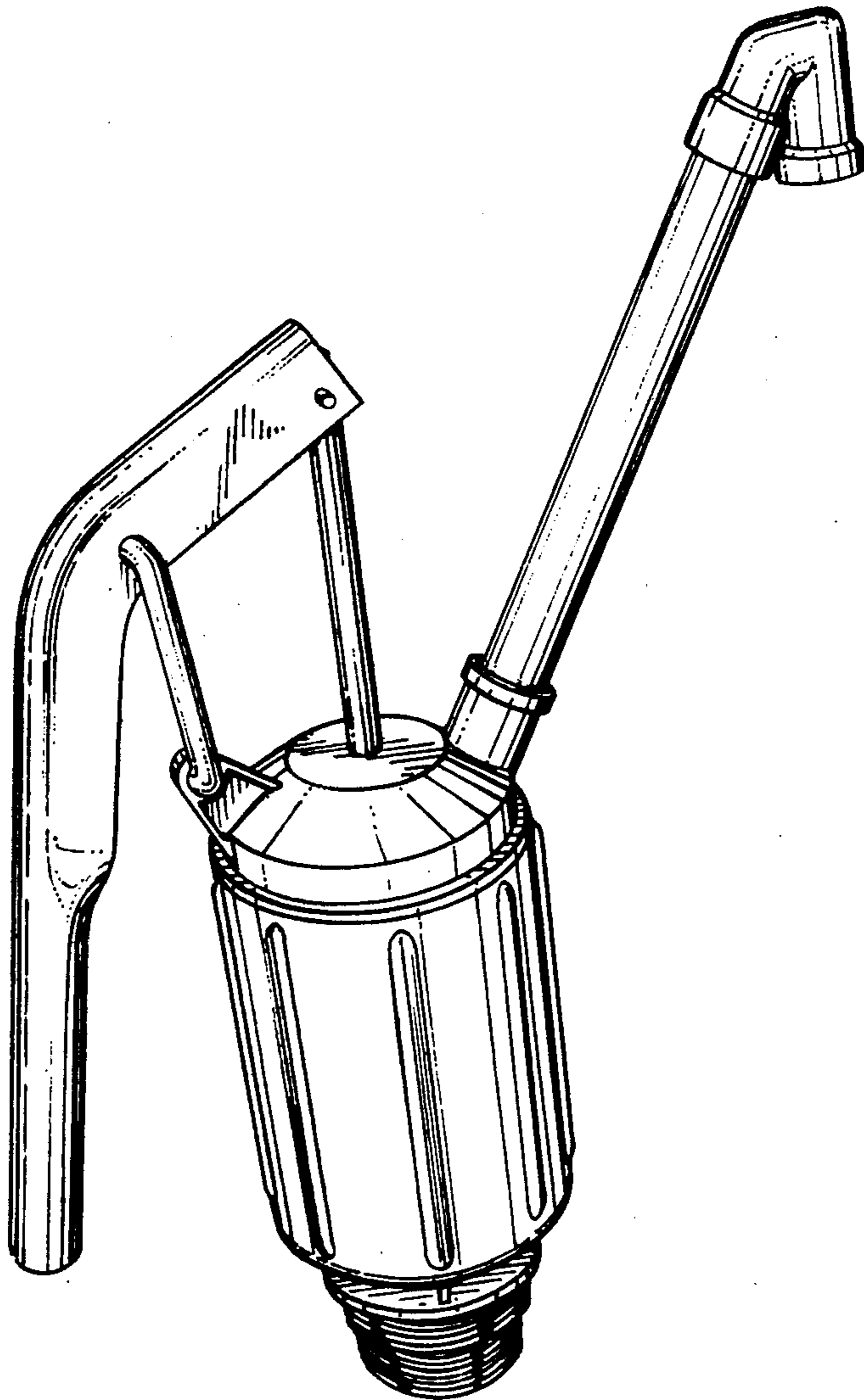


FIG. 2