

[54] PLAYGROUND APPARATUS

[76] Inventor: Ray G. Manus, Rte. 5, Box 104,
Lincolnton, N.C. 28092

[**] Term: 14 Years

[21] Appl. No.: 947,708

[22] Filed: Oct. 2, 1978

[51] Int. Cl. D21-03
[52] U.S. Cl. D21/250; D21/76
[58] Field of Search D21/250, 245, 68, 73,
D21/76; 272/52

[56]

References Cited

U.S. PATENT DOCUMENTS

D. 225,872 1/1973 Burke D21/68
D. 236,276 8/1975 Rudy D21/245
D. 240,843 8/1976 Zick D21/250

Primary Examiner—Melvin B. Feifer
Attorney, Agent, or Firm—Samuel G. Layton, Jr.

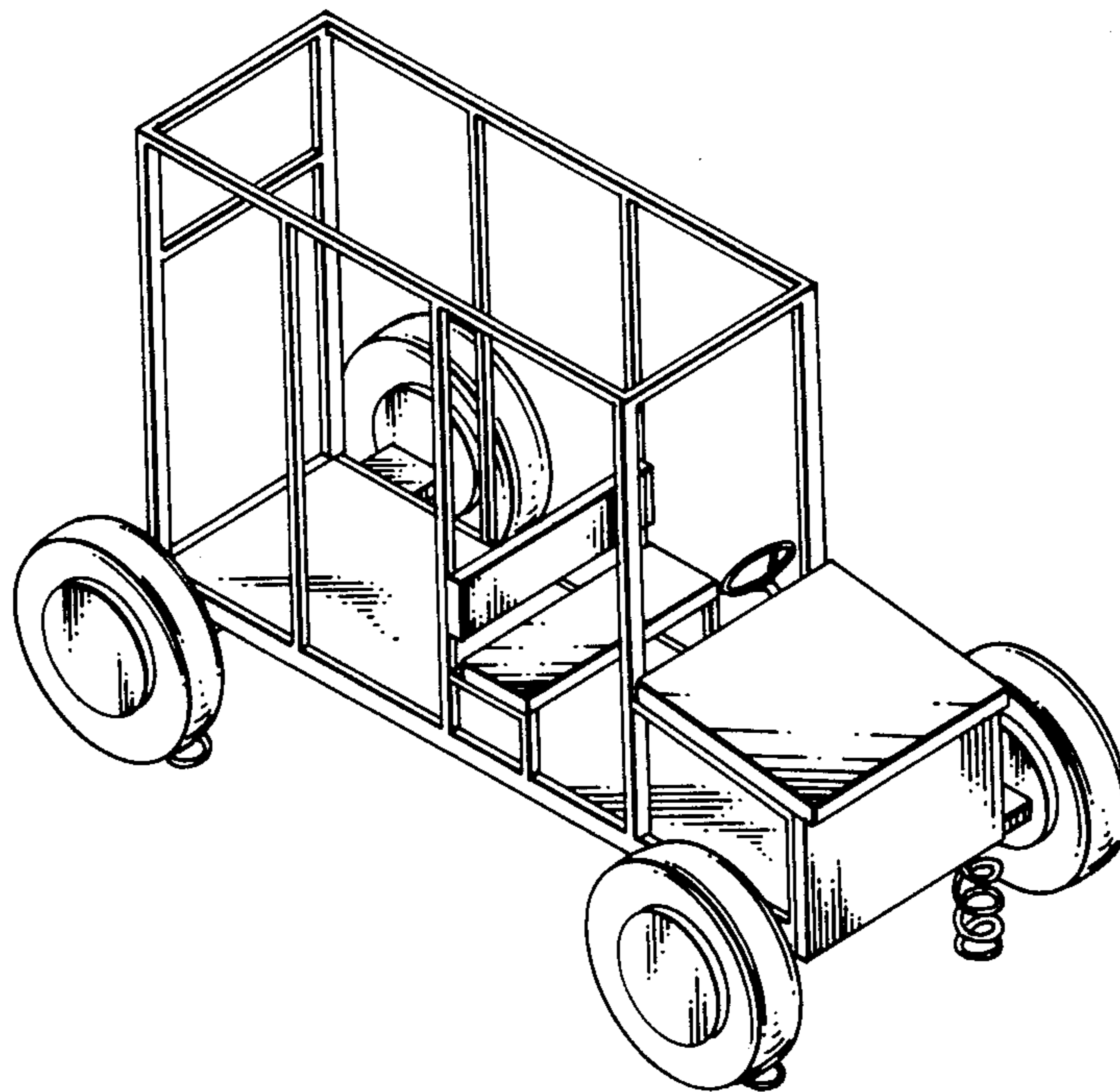
[57]

CLAIM

The ornamental design for playground apparatus, substantially as shown and described.

DESCRIPTION

FIG. 1 is a perspective view of the playground apparatus embodying my new design;
FIG. 2 is a side elevation view of the playground apparatus illustrated in FIG. 1; and
FIG. 3 is a rear elevation view of the playground apparatus illustrated in FIG. 1.



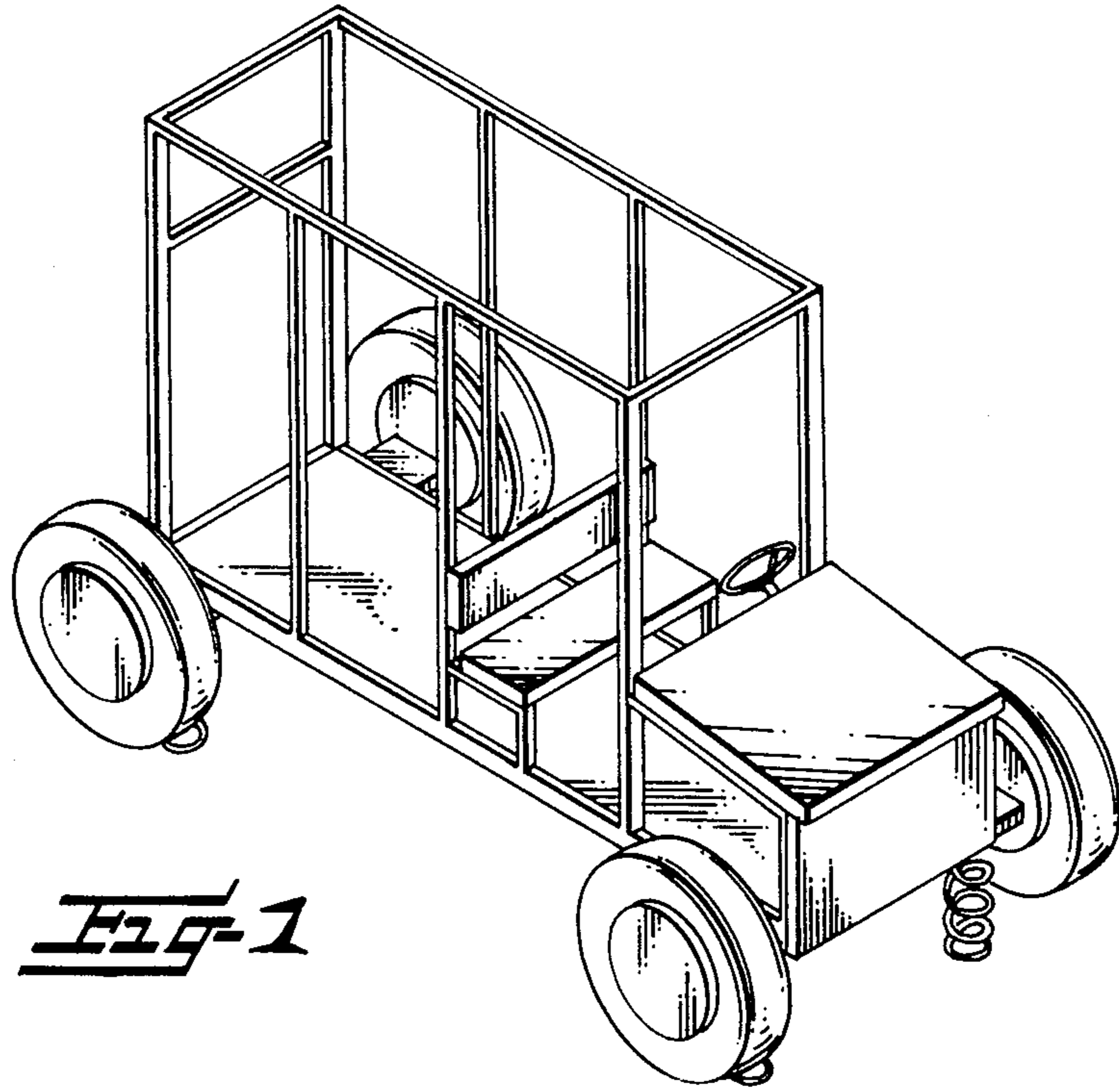


Fig-1

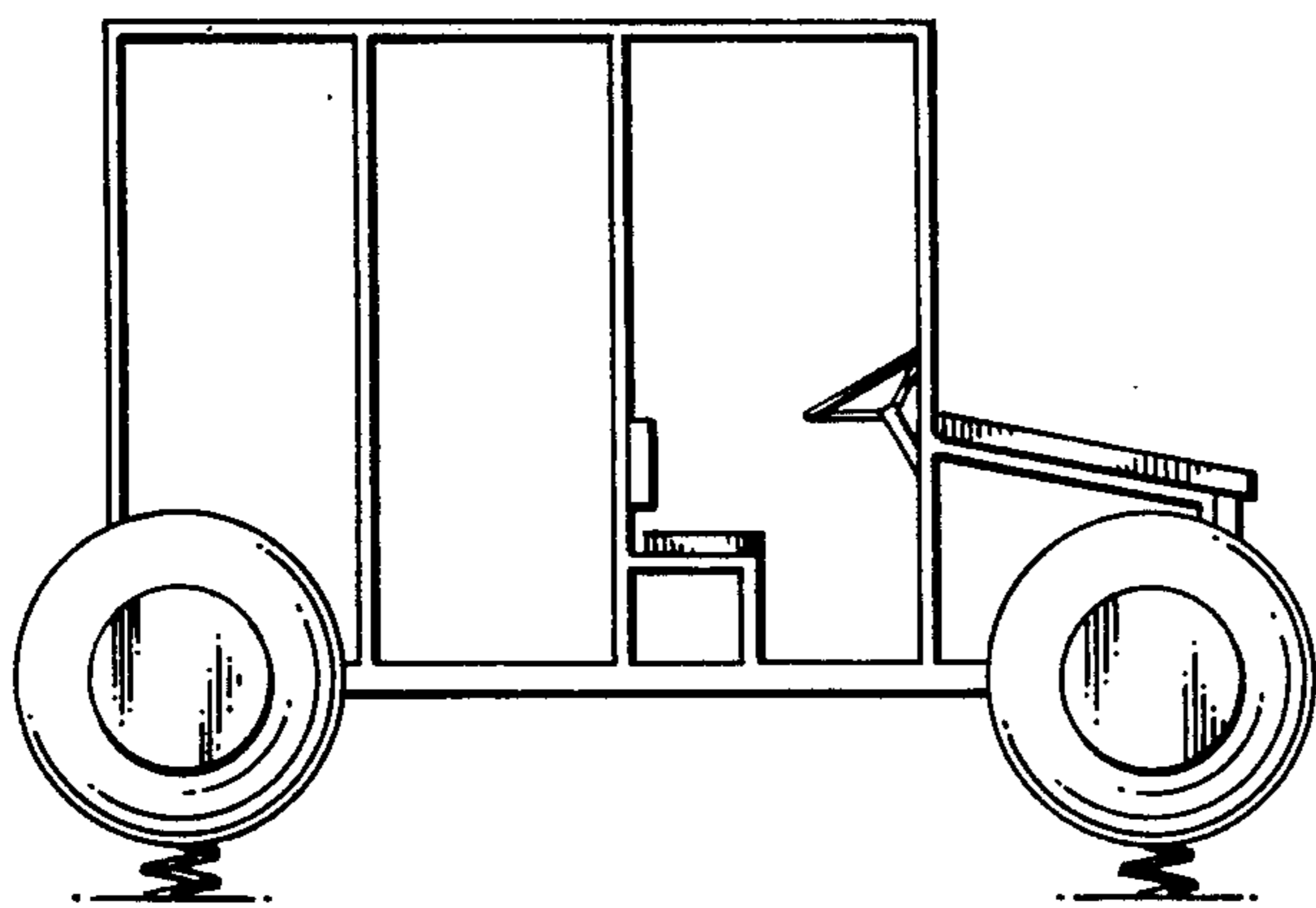


Fig-2

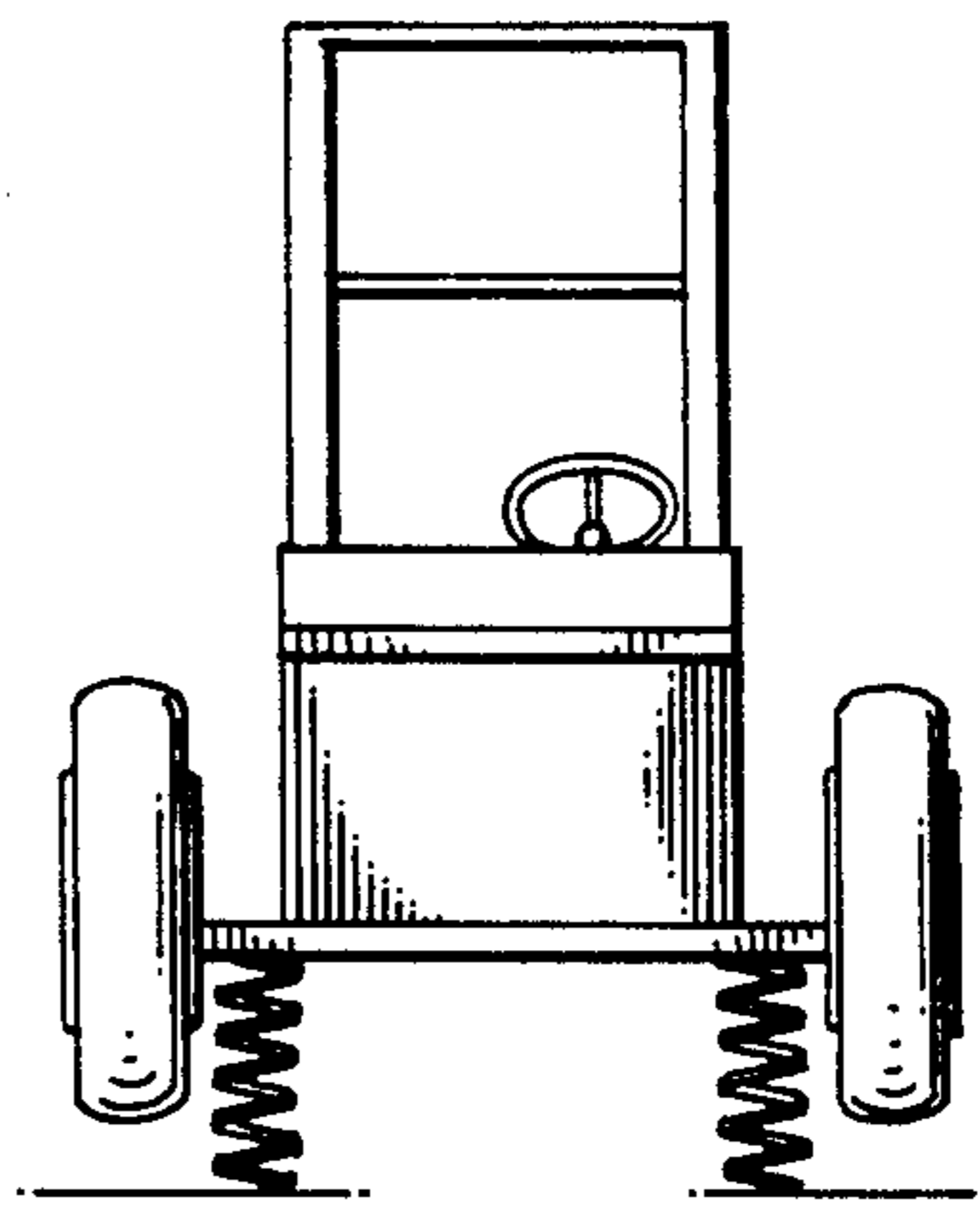


Fig-3