

[54] WATER SLIDE OR SIMILAR ARTICLE
[75] Inventor: John C. Allen, 3rd, Philadelphia, Pa.
[73] Assignee: S. B. Ramagosa & Sons, North Wildwood, N.J.

[**] Term: 14 Years

[21] Appl. No.: 903,973

[22] Filed: May 8, 1978

[51] Int. Cl. D21-03

[52] U.S. Cl. D21/244

[58] Field of Search D21/244; 272/56.5 R, 272/56.5 SS; 104/70

[56] References Cited

U.S. PATENT DOCUMENTS

867,432	10/1907	Smith	104/72
872,253	11/1907	Riehl	272/56.5 R
3,923,301	12/1975	Myers	272/56.5 R

Primary Examiner—Melvin B. Feifer
Attorney, Agent, or Firm—Robert C. Podwil

[57] CLAIM

The ornamental design for a water slide or similar article, substantially as shown and described.

DESCRIPTION

FIG. 1 is a perspective view of a water slide or similar article showing my new design.

FIG. 2 is a top plan view of a water slide or similar article showing my new design;

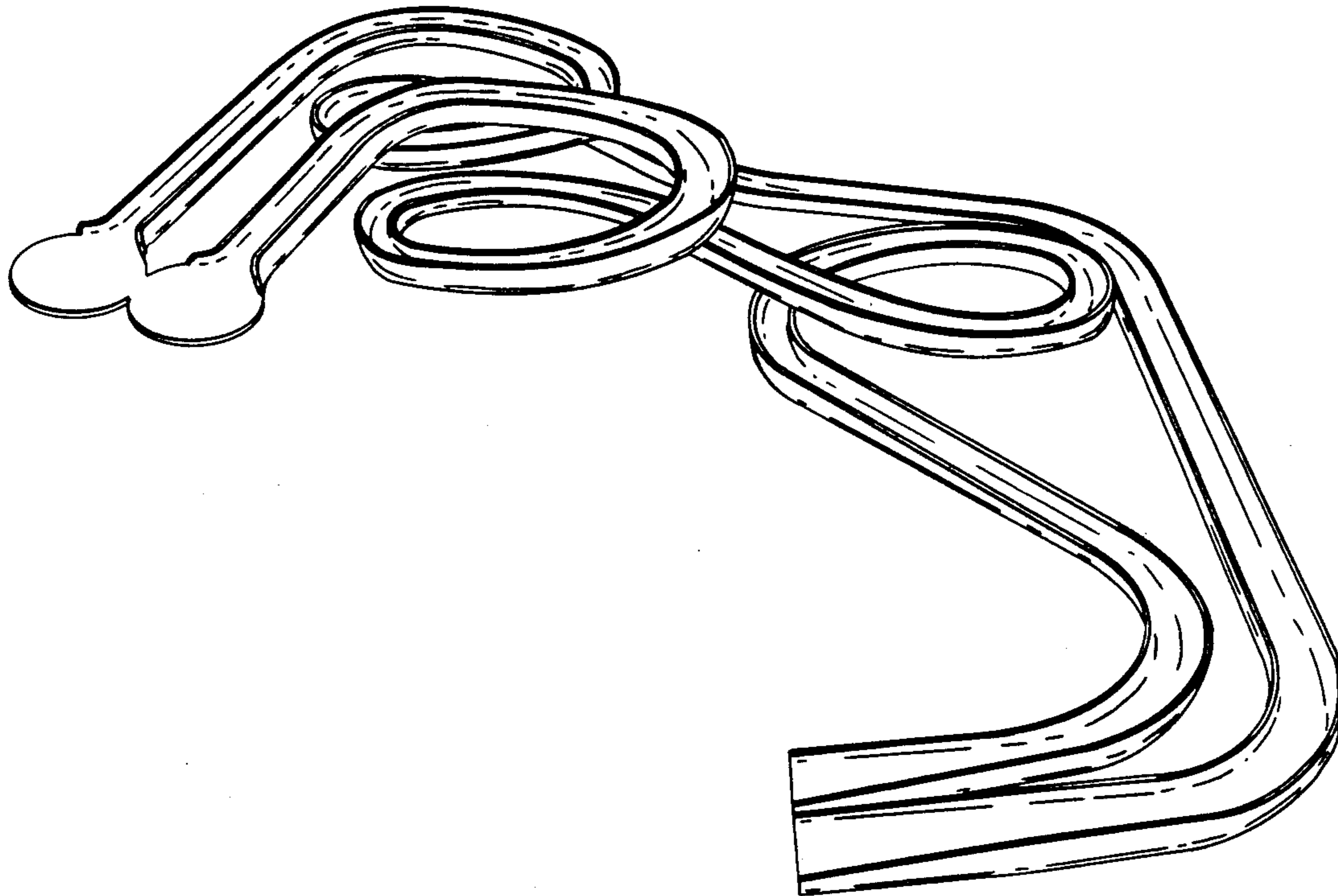
FIG. 3 is a bottom plan view of a water slide or similar article showing my new design;

FIG. 4 is an elevation view, taken in the direction of the arrow "4" in FIG. 2.

FIG. 5 is an elevation view, taken in the direction of the arrow "5" in FIG. 2.

FIG. 6 is an elevation view, taken in the direction of the arrow "6" in FIG. 2.

FIG. 7 is an elevation view, taken in the direction of the arrow "7" in FIG. 2.



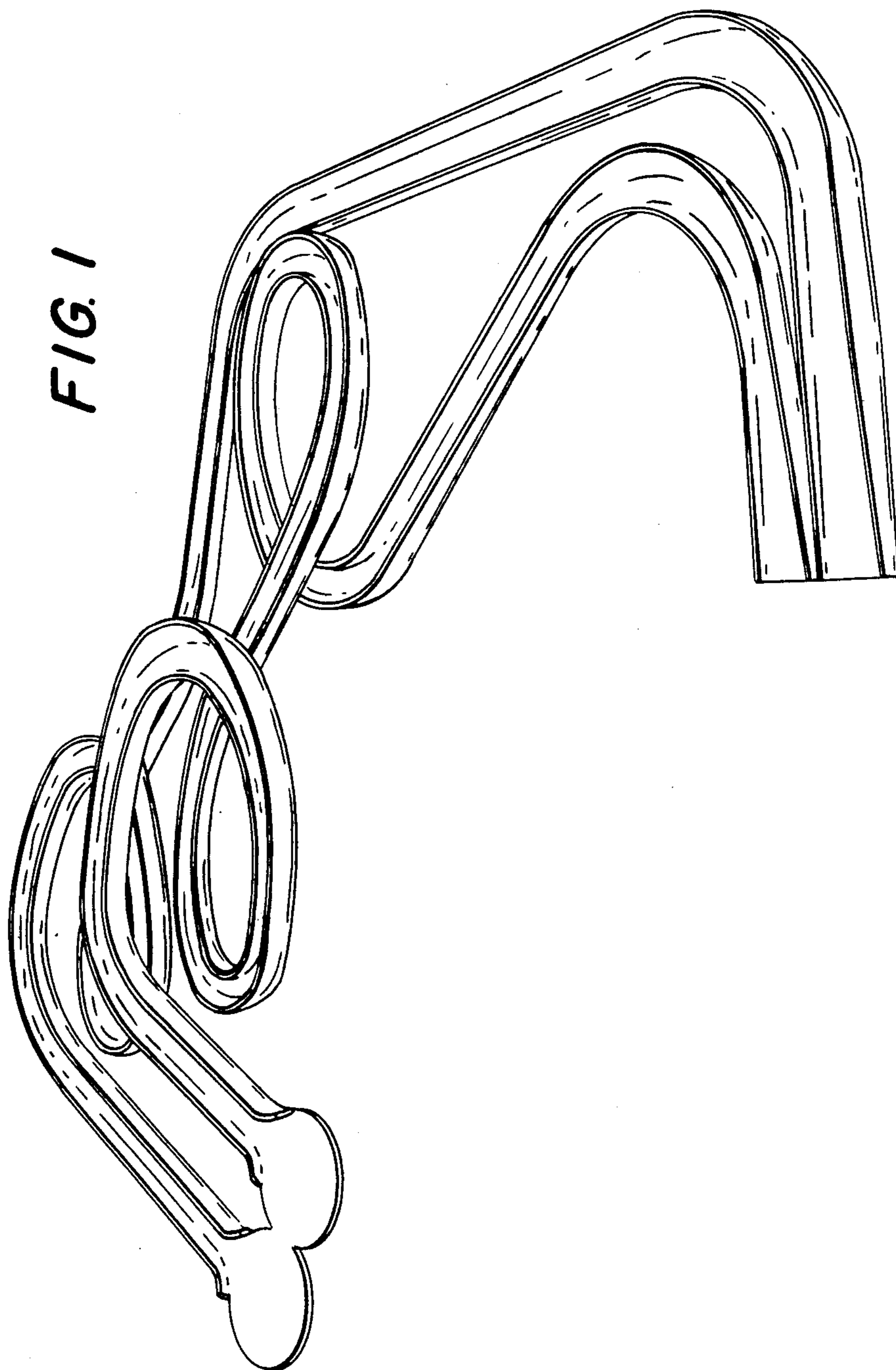


FIG. 2

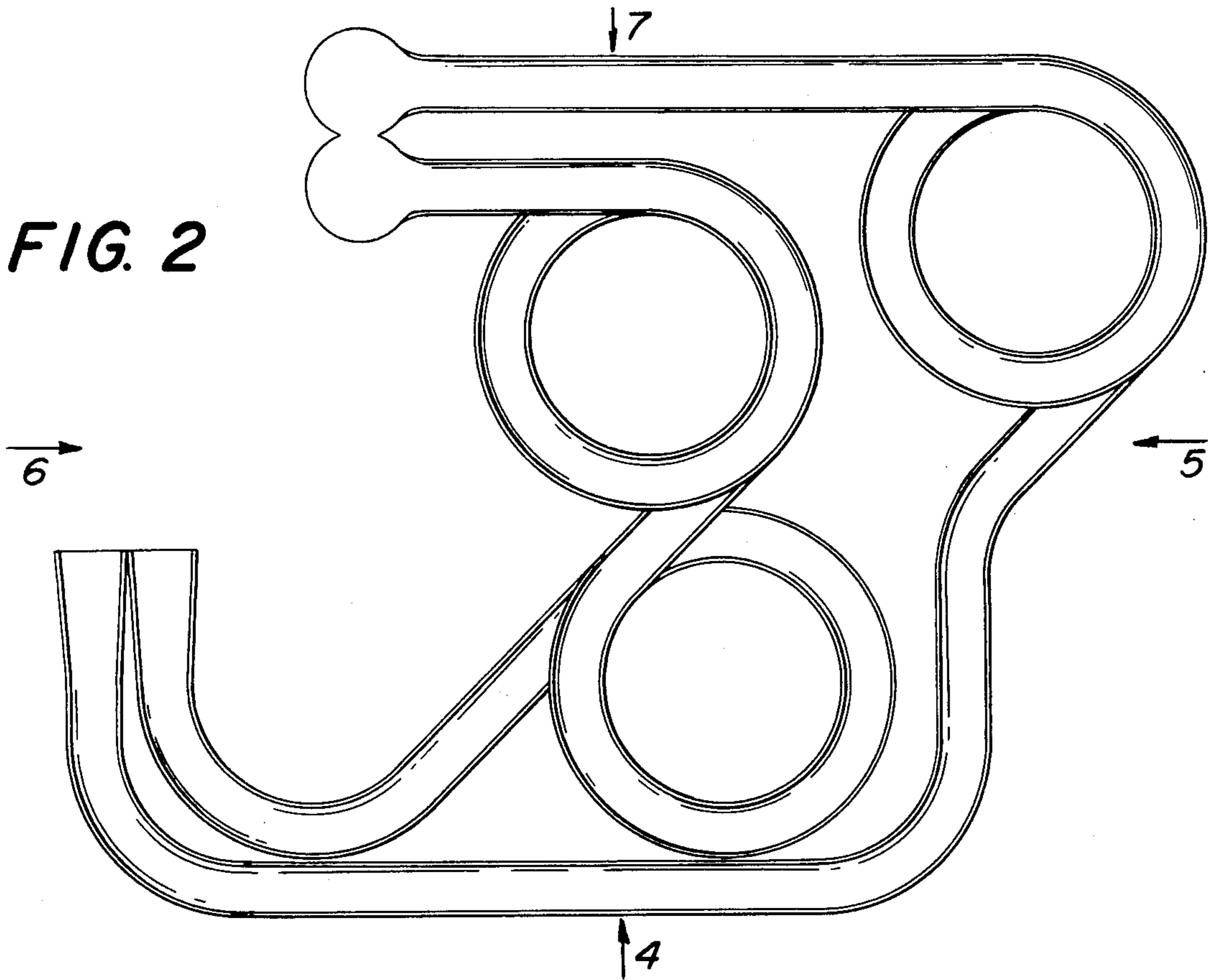


FIG. 3

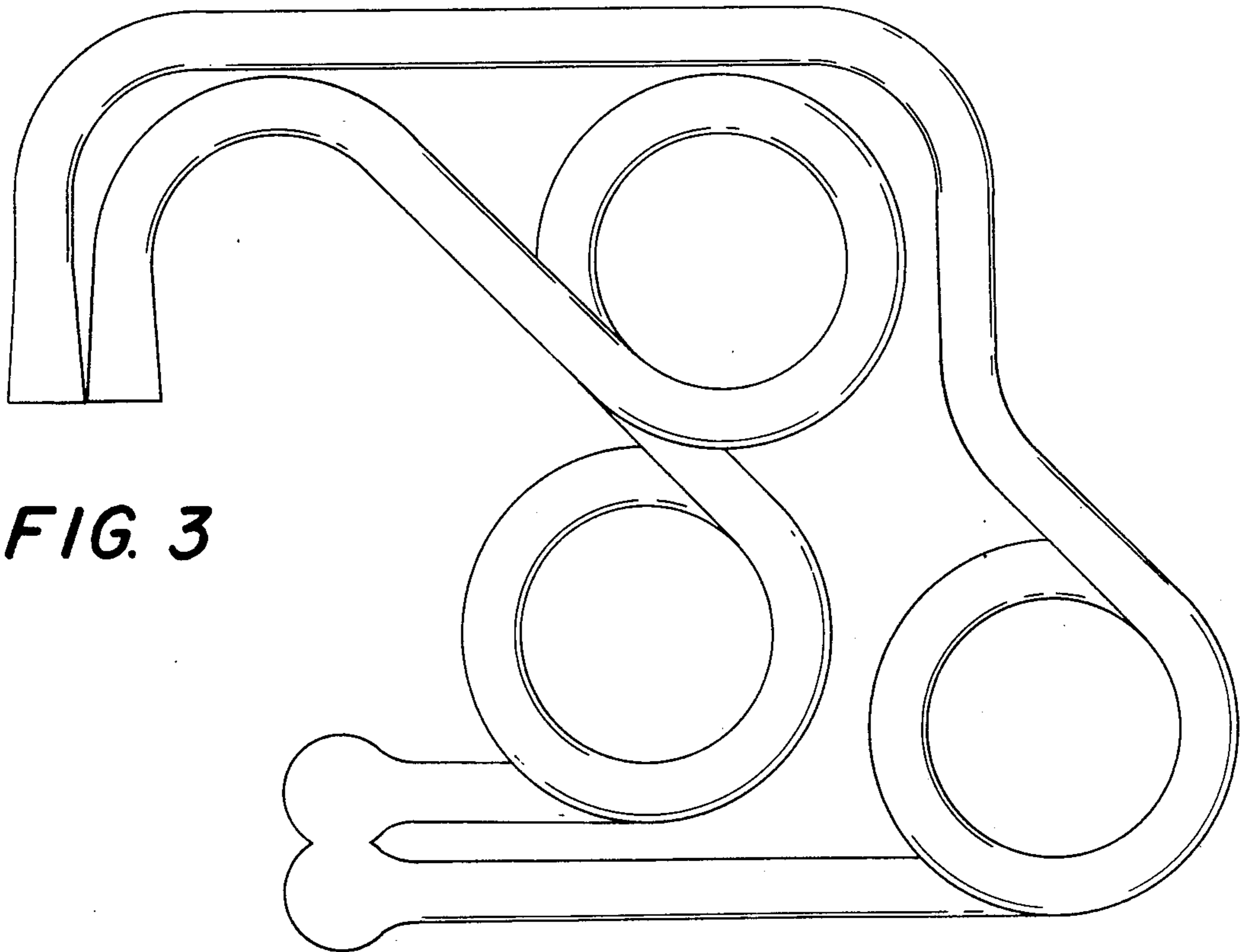


FIG. 4

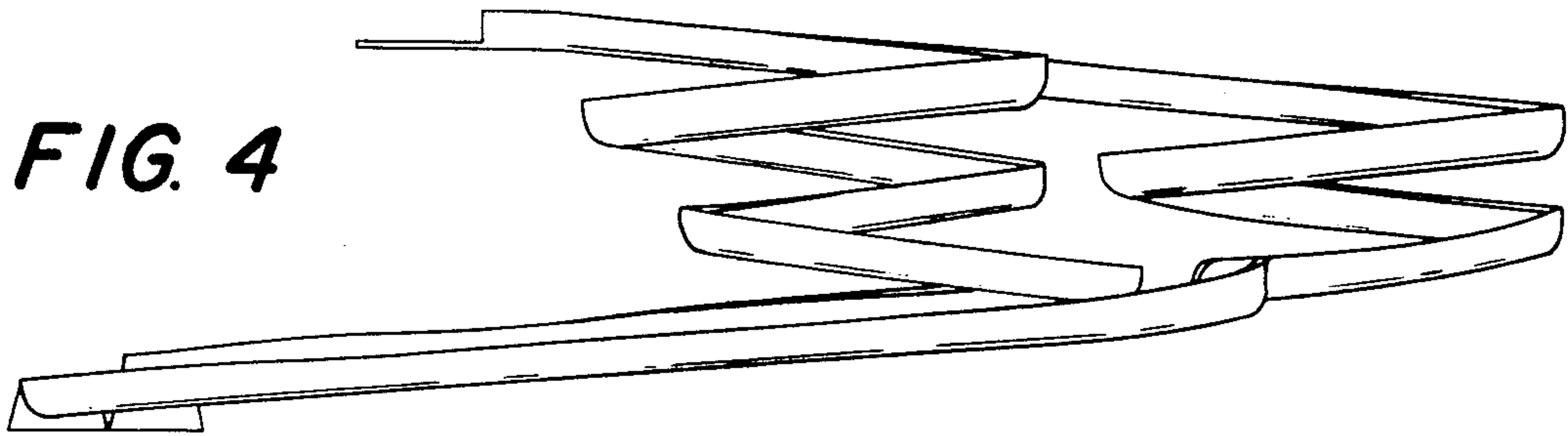


FIG. 5

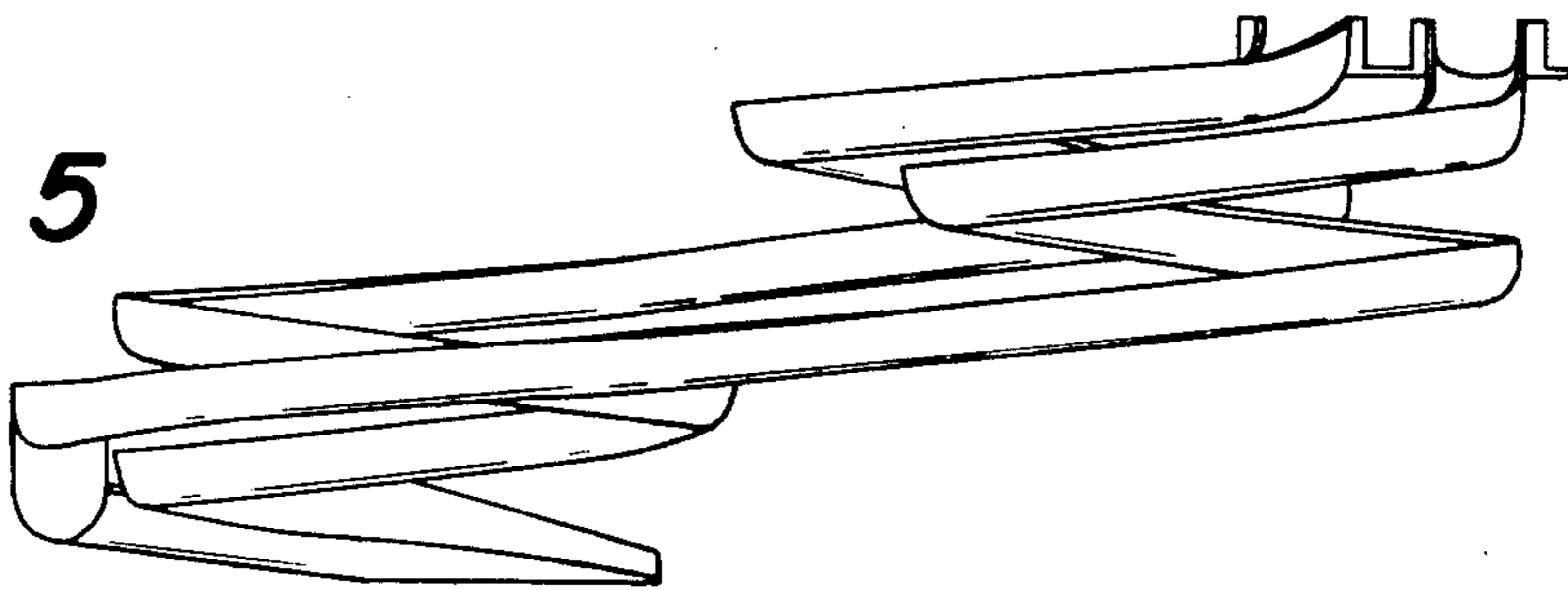


FIG. 6

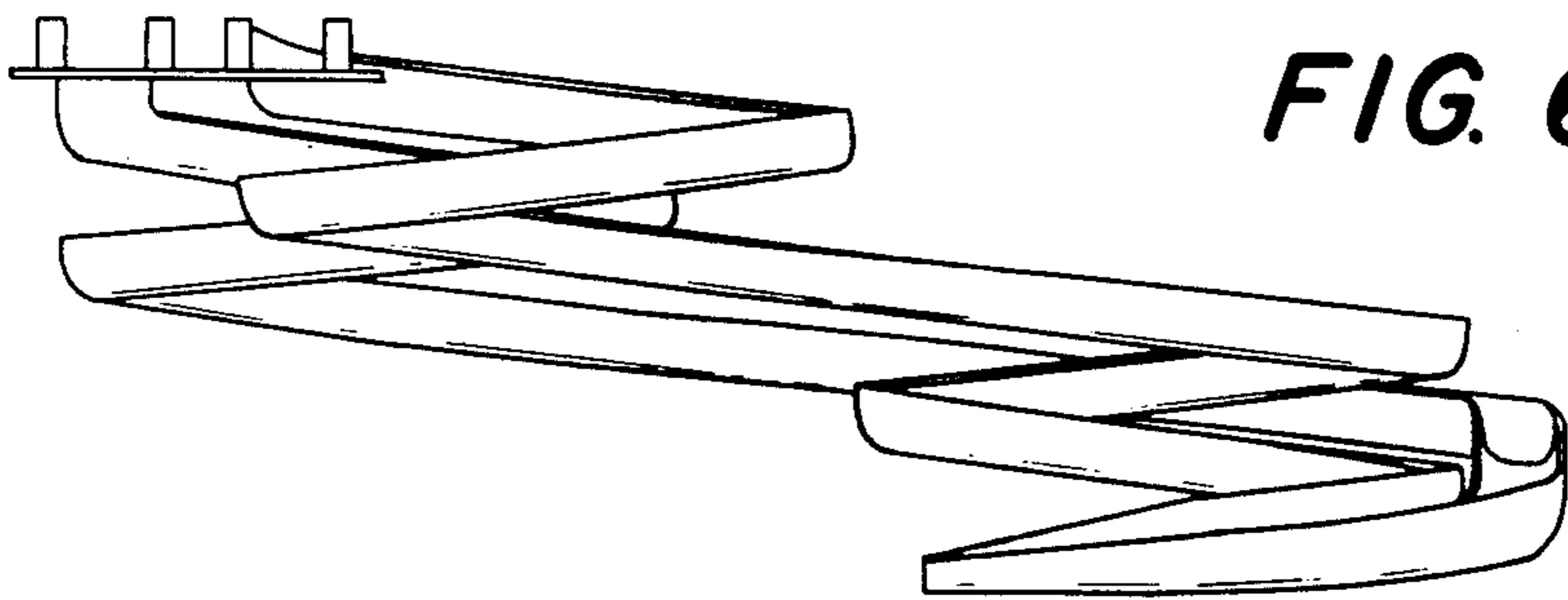


FIG. 7

