

[54] TELEPHONE CONTROL CONSOLE

[75] Inventor: Brian K. White, Ottawa, Canada

[73] Assignee: Mitel Corporation, Kanata, Canada

[**] Term: 14 Years

[21] Appl. No.: 938,735

[22] Filed: Aug. 31, 1978

[30] Foreign Application Priority Data

Mar. 6, 1978 [CA] Canada 0603786

[51] Int. Cl. D14-03

[52] U.S. Cl. D14/58

[58] Field of Search D13/12, 32, 40, 41; 220/3.2; 361/331, 332, 334, 335, 338, 346, 356, 357, 358, 379, 380, 381, 383, 384, 390-394; 174/50, 52 R; 179/91 R, 90 R, 90 AD, 90 B, 90 K, 6 D, 6 E, 6 AC, 178, 179; D14/52, 58

[56] References Cited

U.S. PATENT DOCUMENTS

D. 215,158 9/1969 Ozaki D13/41
D. 243,773 3/1977 Foggia D14/42

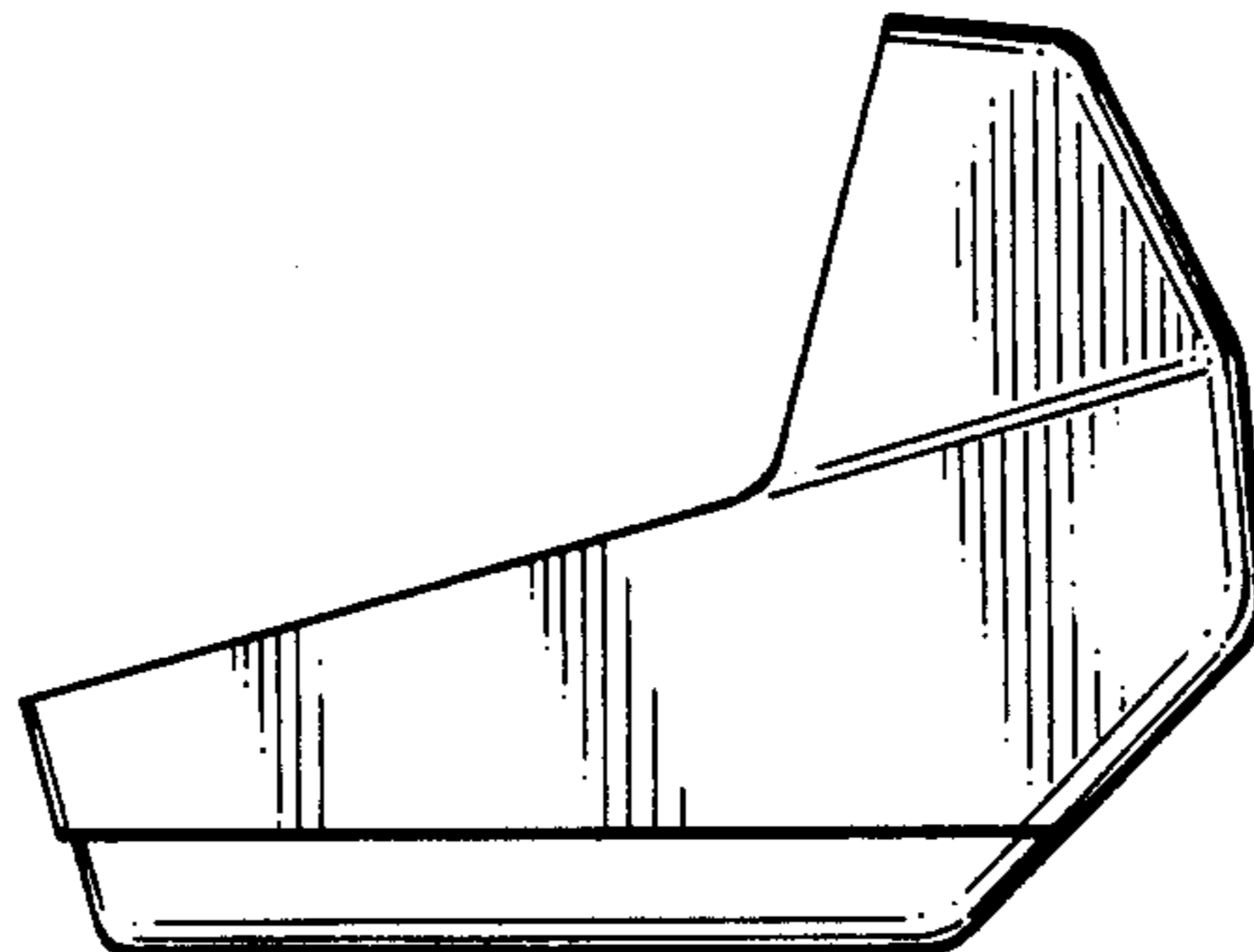
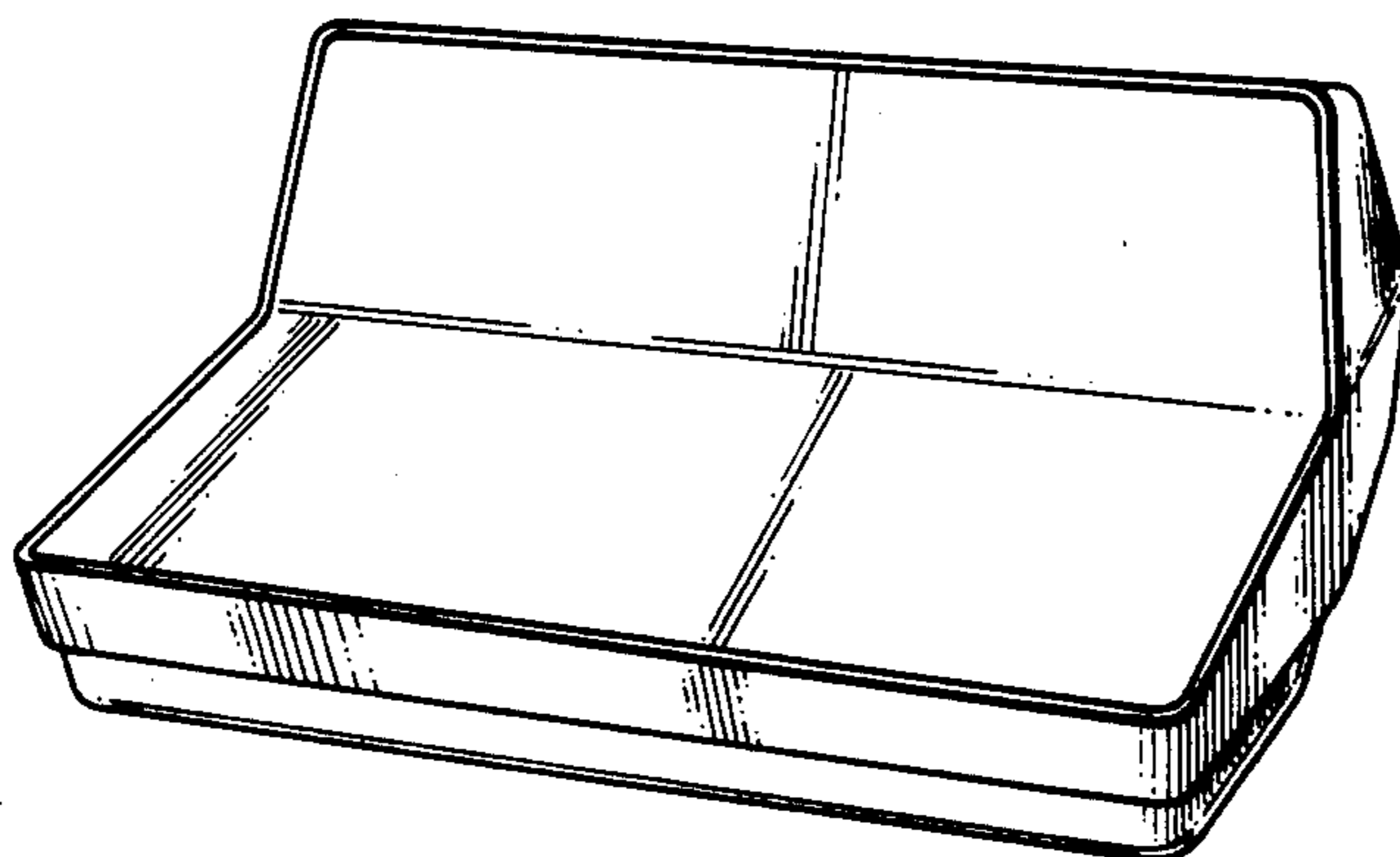
Primary Examiner—Peter Feldman
Attorney, Agent, or Firm—Alan H. Levine

[57] CLAIM

The ornamental design for a telephone control console, substantially as shown.

DESCRIPTION

FIG. 1 is a front perspective view of a telephone control console showing my new design; FIG. 2 is a right side elevational view thereof; FIG. 3 is a left side elevational view thereof; FIG. 4 is a rear view thereof; FIG. 5 is a top view thereof; and FIG. 6 is a bottom view thereof.



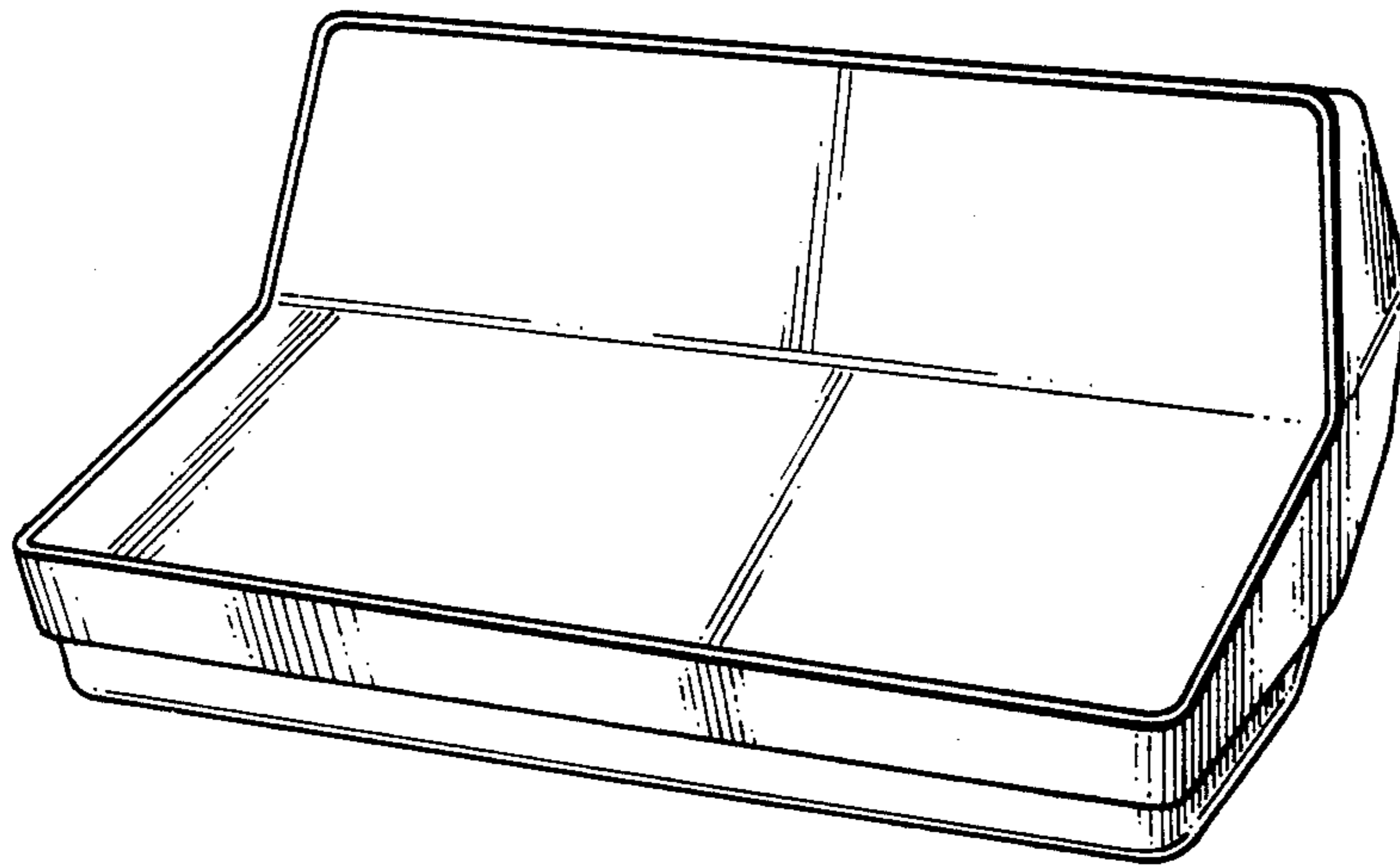


FIG. 1

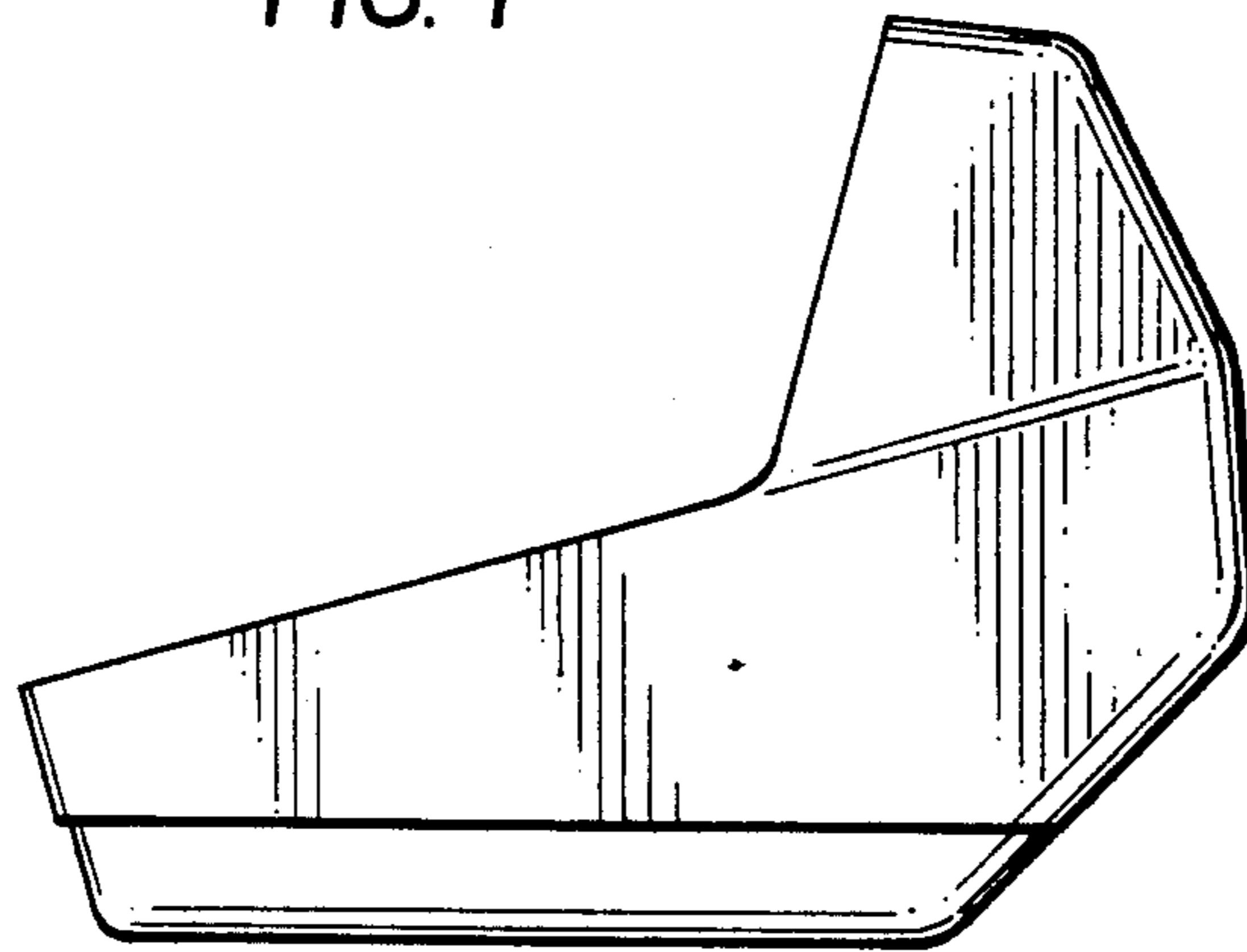


FIG. 2

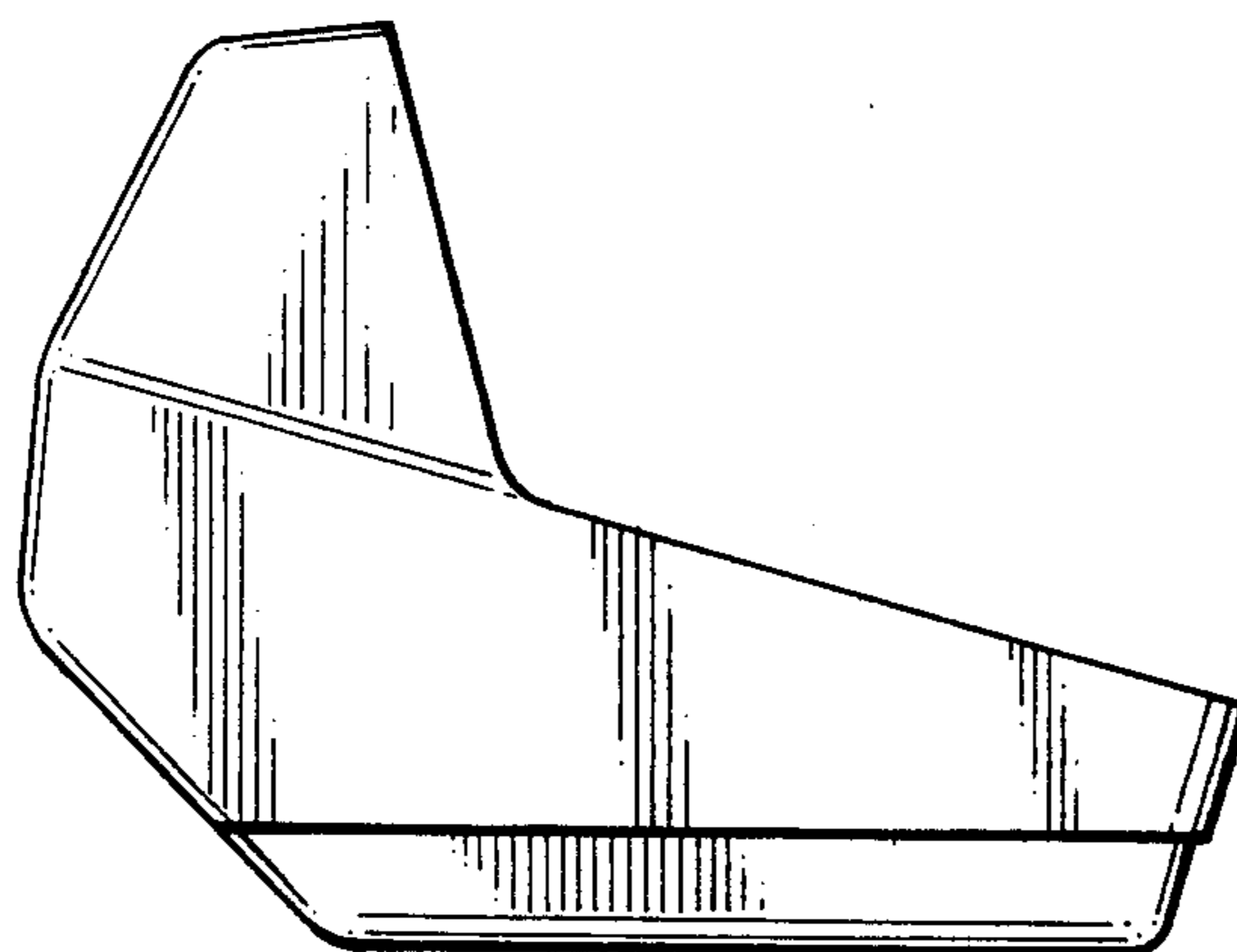


FIG. 3

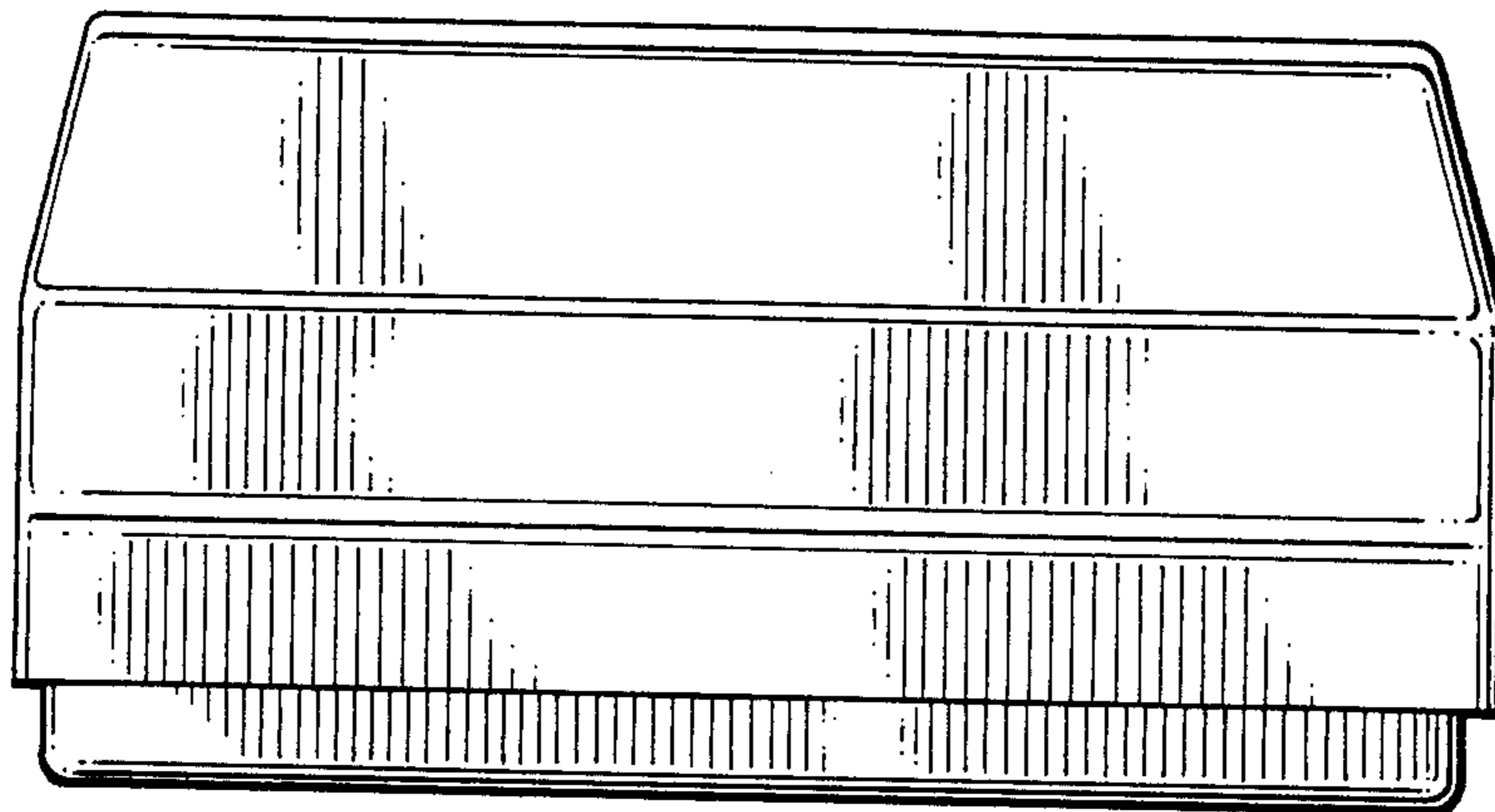


FIG. 4

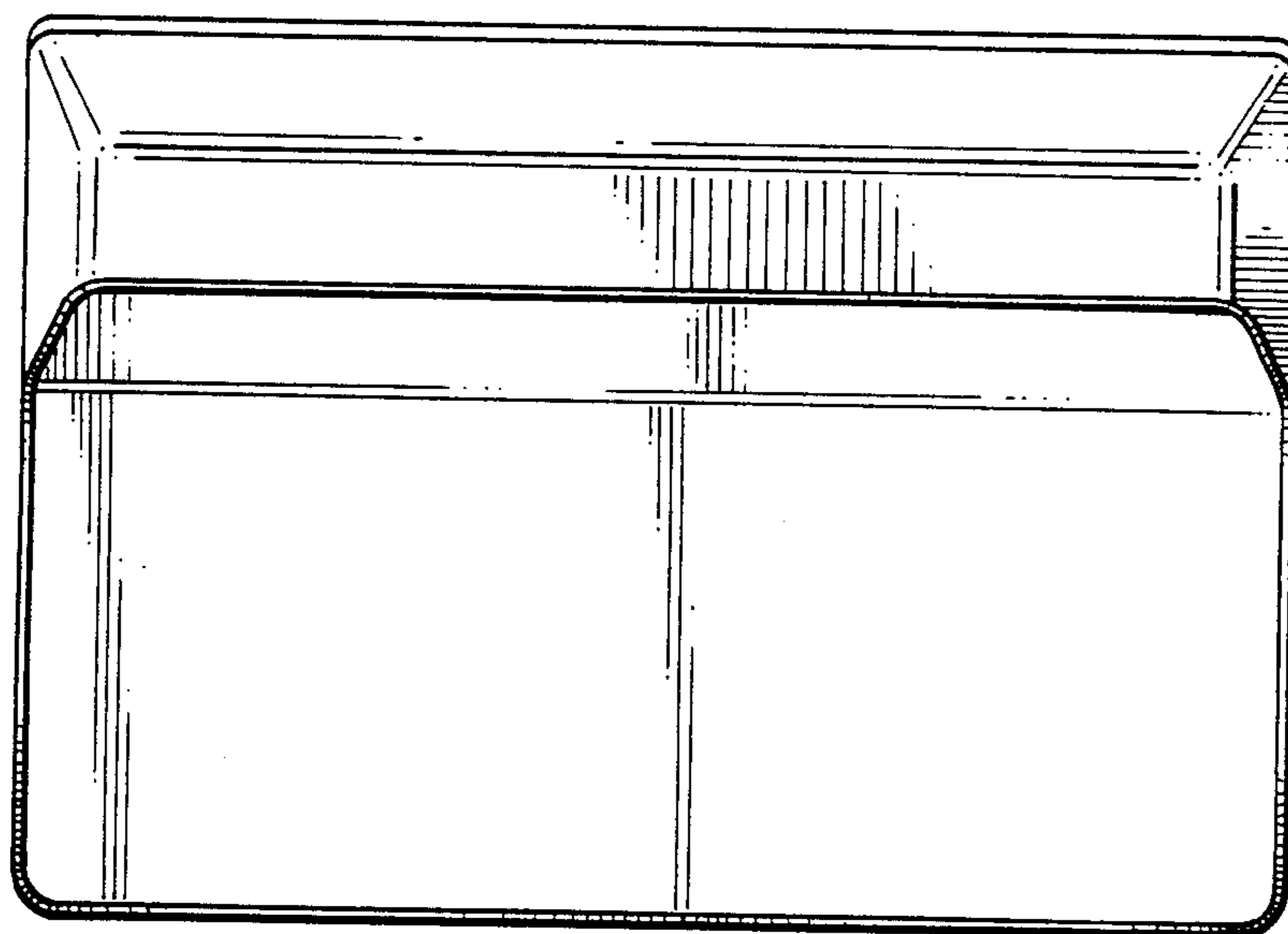


FIG. 5

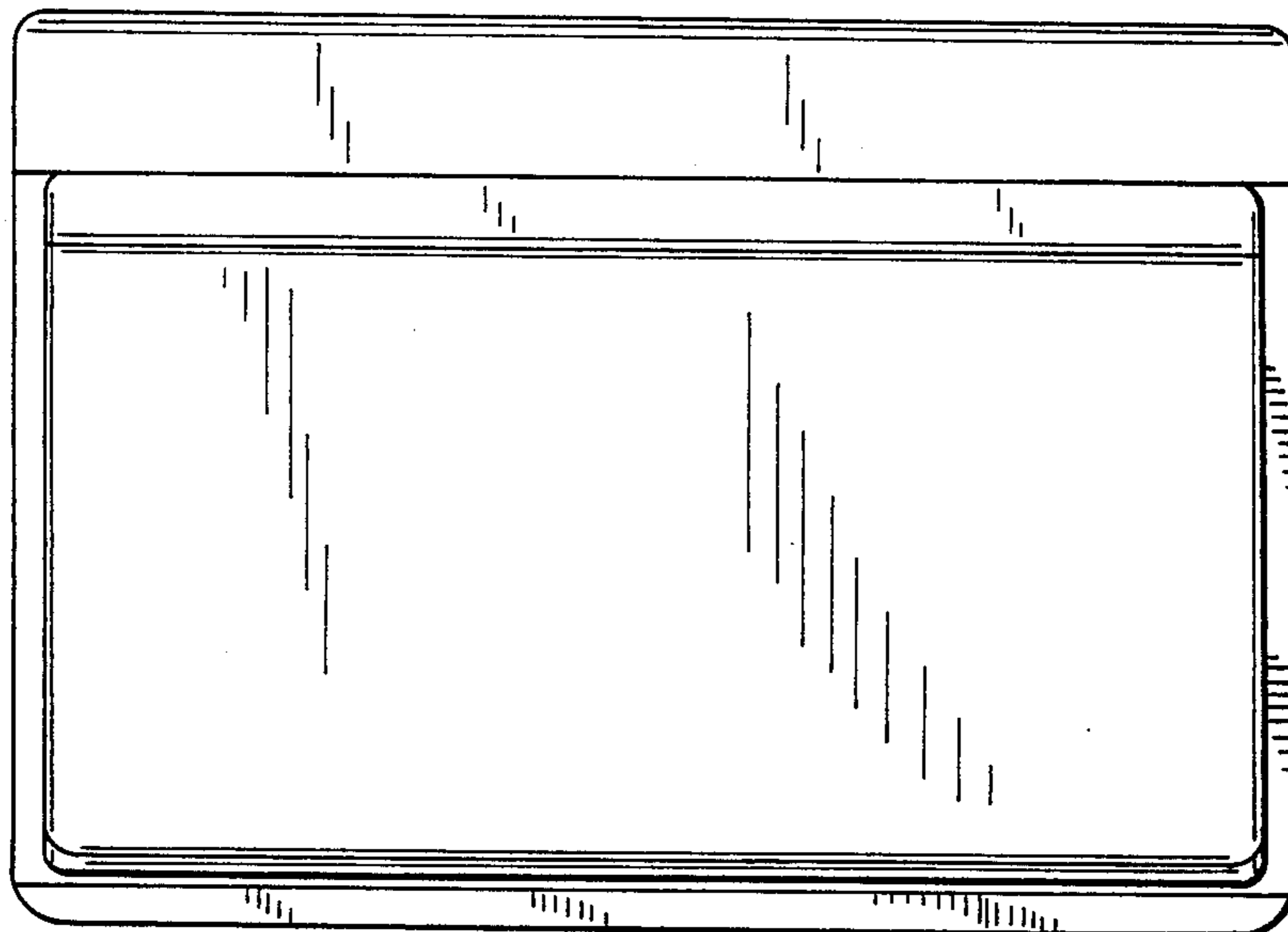


FIG. 6