

[54] **SPEAKER MOUNT ADAPTOR PLATE**

[75] Inventor: **Ronald Needleman, Duxbury, Mass.**

[73] Assignee: **Audiovox Corporation, Hauppauge, N.Y.**

[\*\*] Term: **14 Years**

[21] Appl. No.: **883,339**

[22] Filed: **Mar. 3, 1978**

[51] Int. Cl. .... **D14-03**

[52] U.S. Cl. .... **D14/37; D8/350**

[58] Field of Search ..... **248/27.1; D14/38, 37; D8/349, 354, 350**

[56] **References Cited**

**U.S. PATENT DOCUMENTS**

3,666,040	5/1972	Junk .....	248/27.1
4,032,725	6/1977	McGee .....	248/27.1

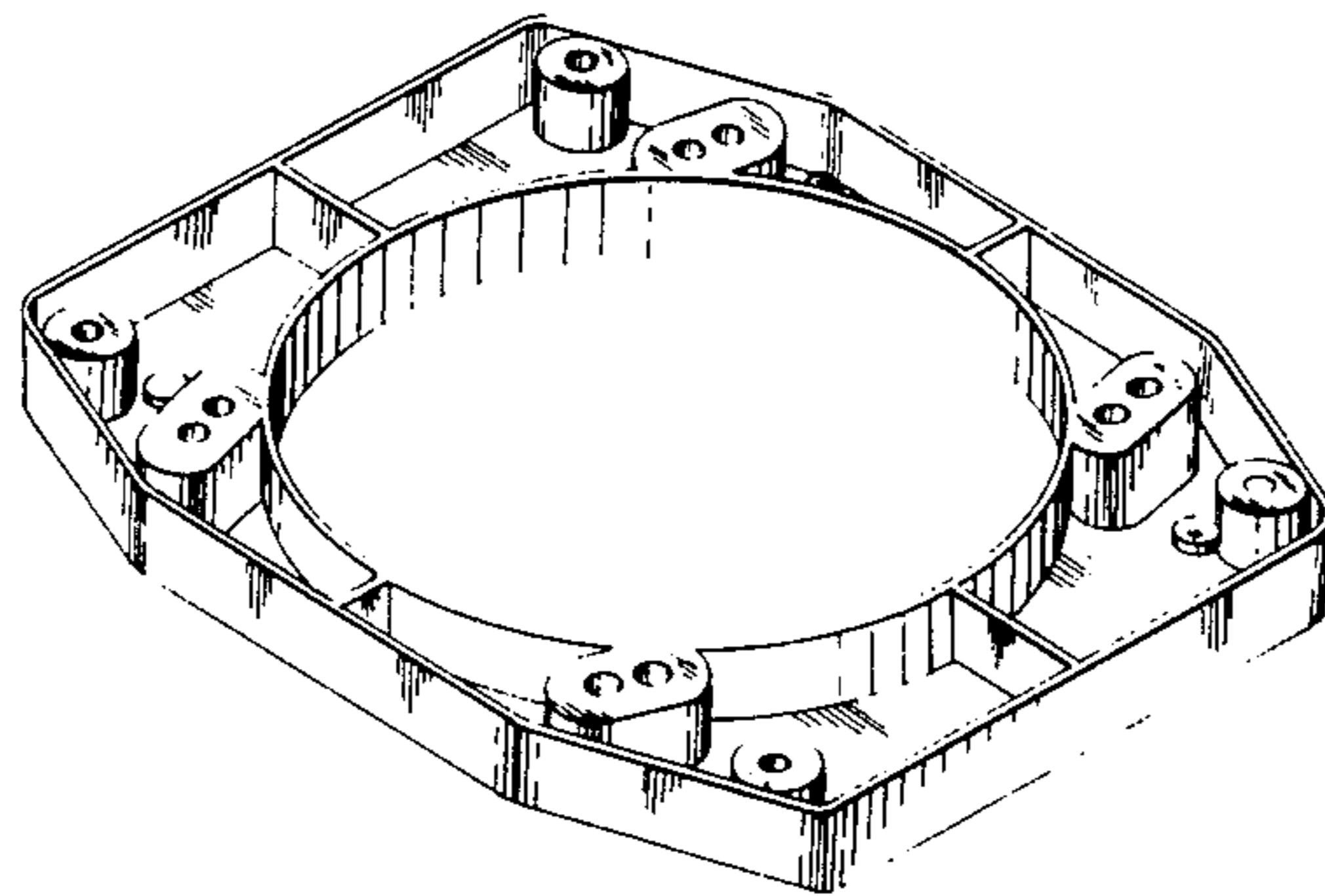
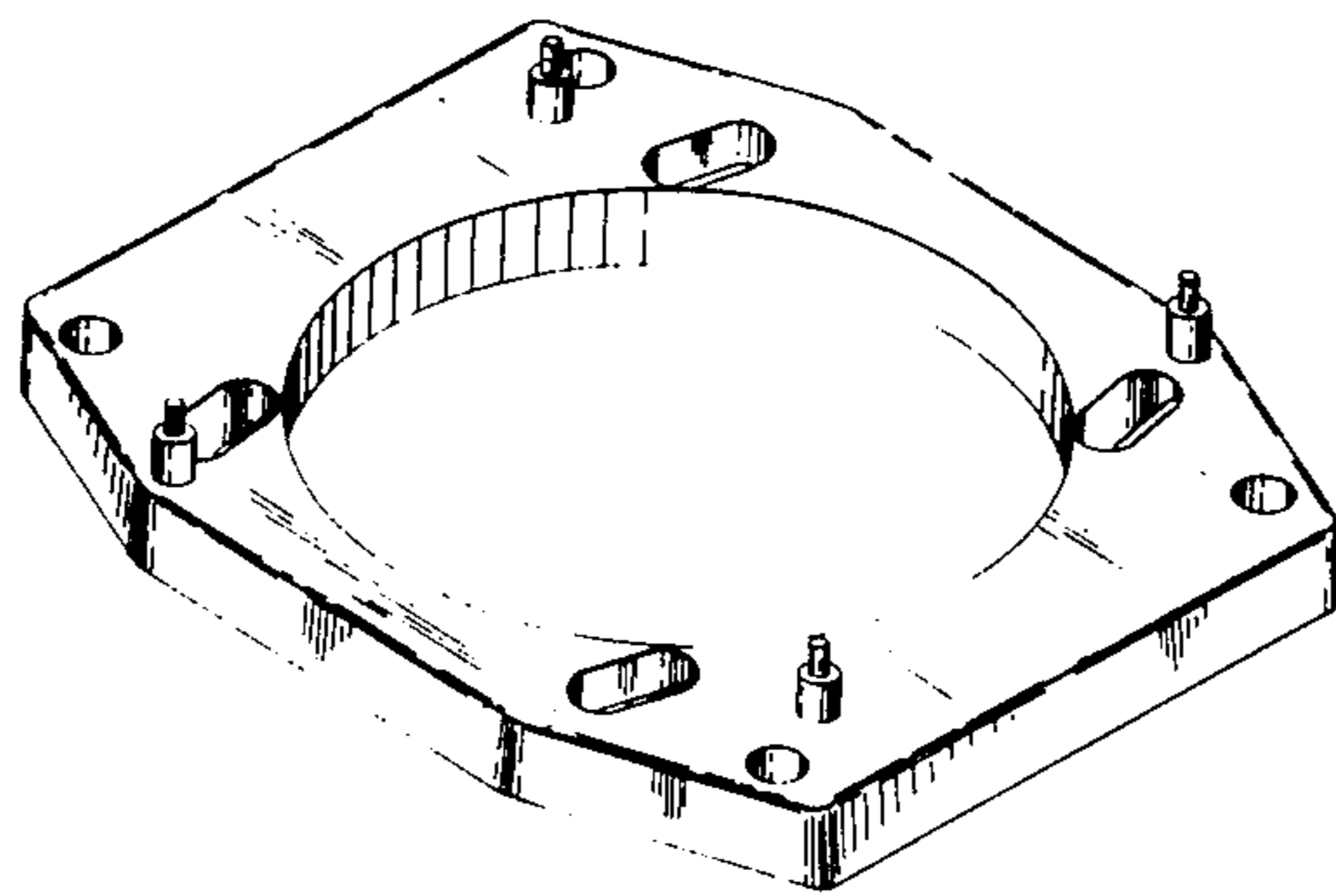
*Primary Examiner*—Sam Rosen  
*Attorney, Agent, or Firm*—Jacobs & Jacobs

[57] **CLAIM**

The ornamental design for a speaker mount adaptor plate, as shown and described.

**DESCRIPTION**

FIG. 1 is a front perspective view of a speaker mount adapter plate;  
 FIG. 2 is a rear perspective view thereof;  
 FIG. 3 is a top plan view thereof;  
 FIG. 4 is a bottom plan view thereof;  
 FIG. 5 is a side elevational view thereof; and  
 FIG. 6 is an end elevational view thereof.



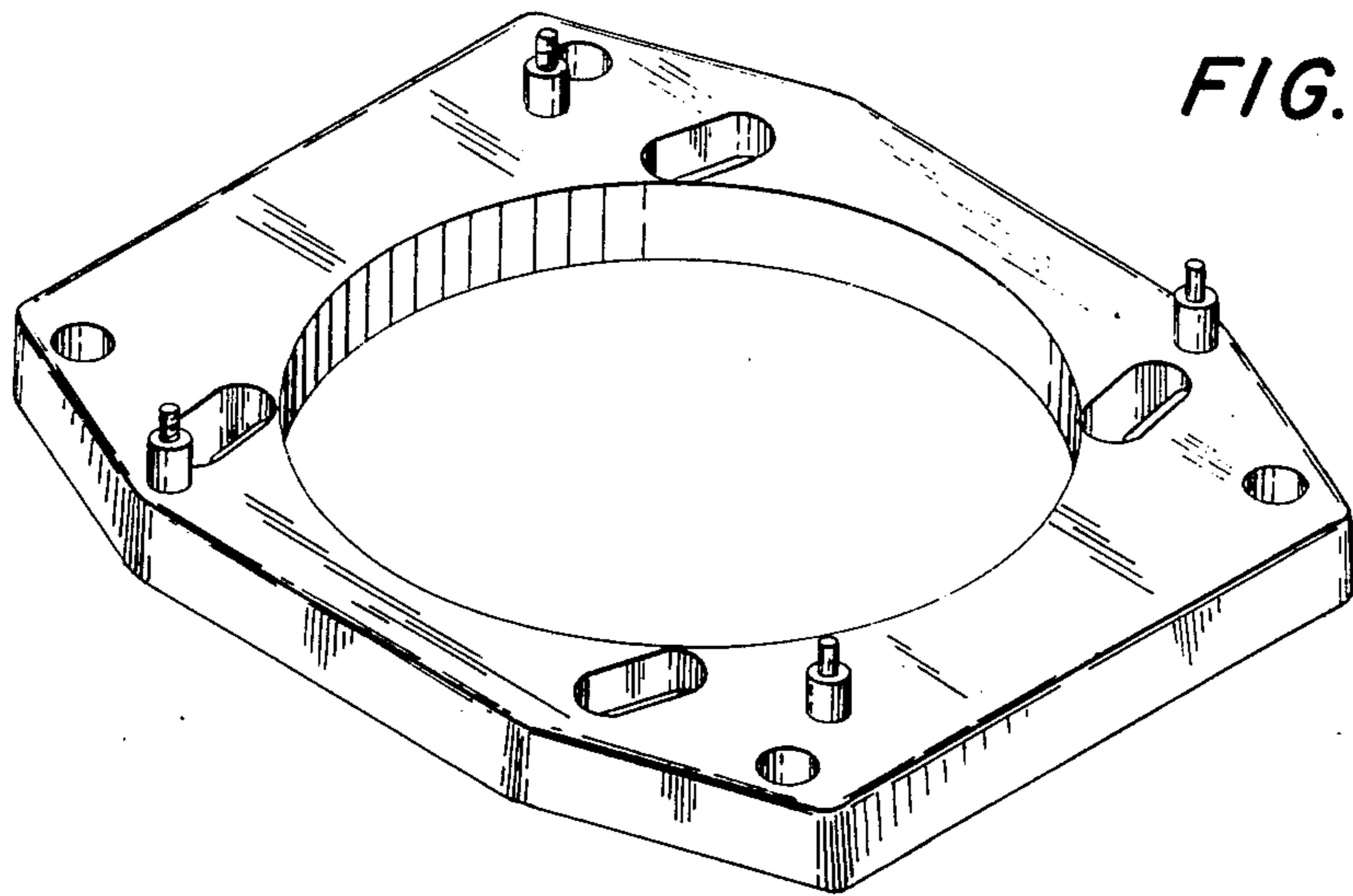
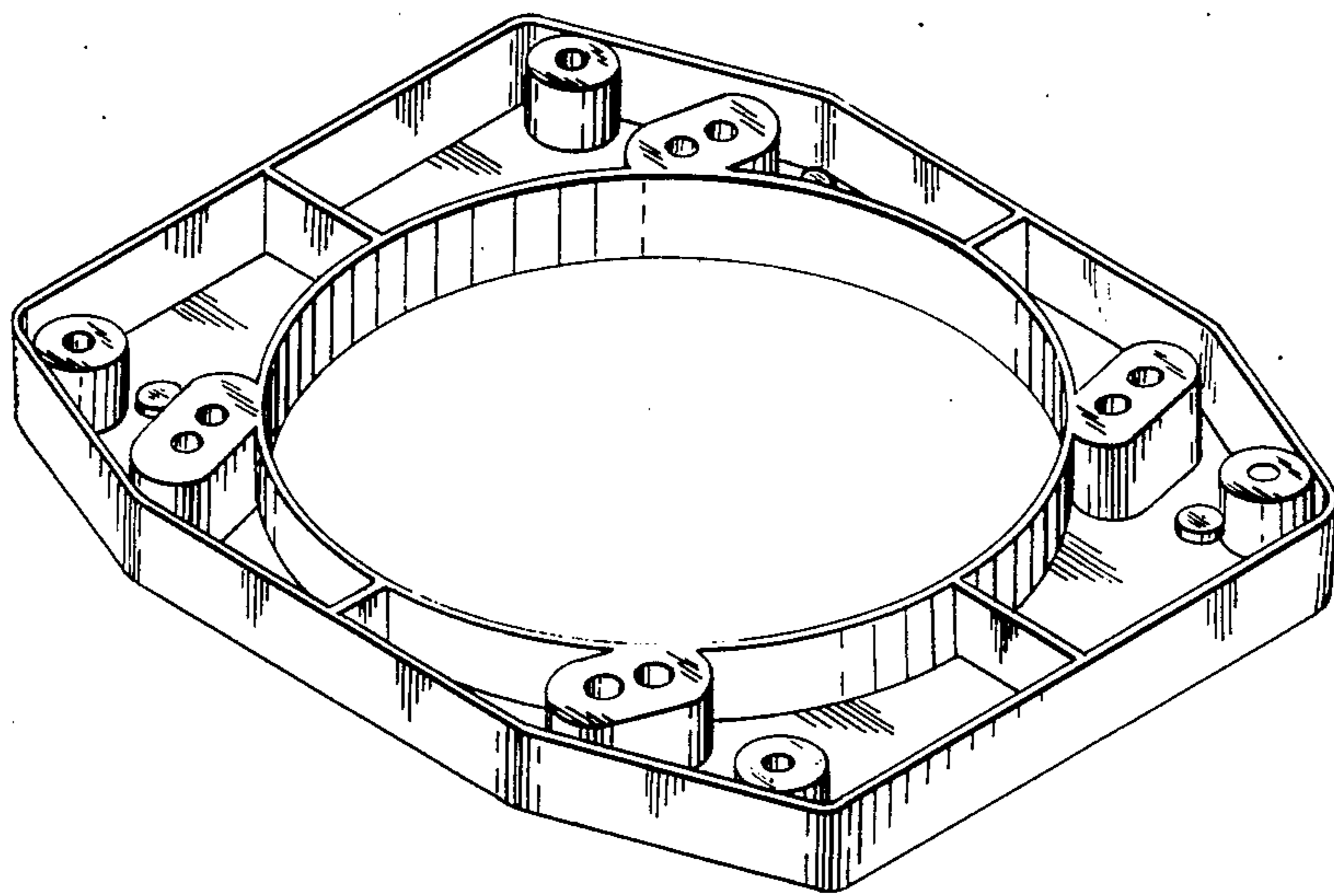
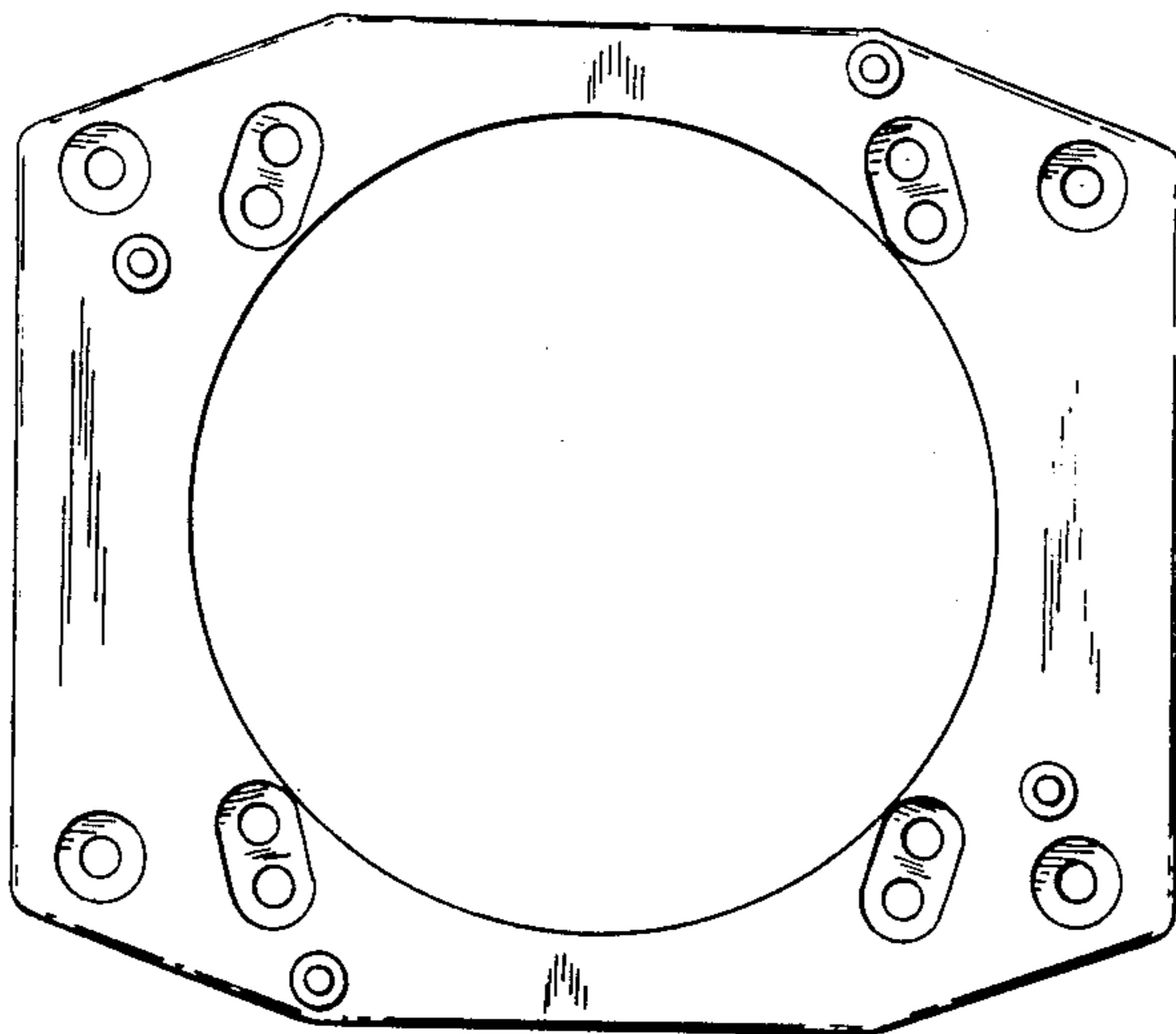


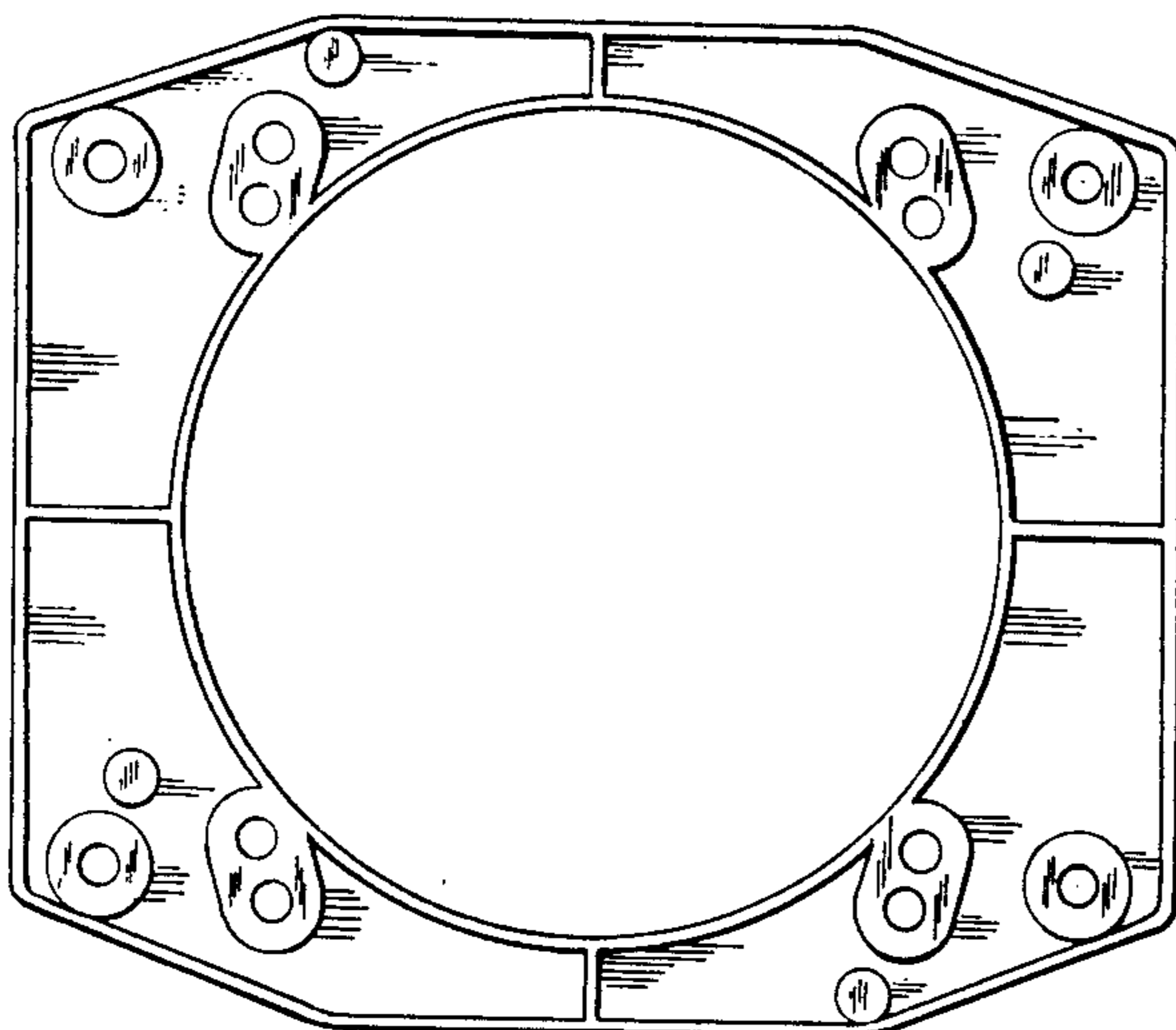
FIG. 2



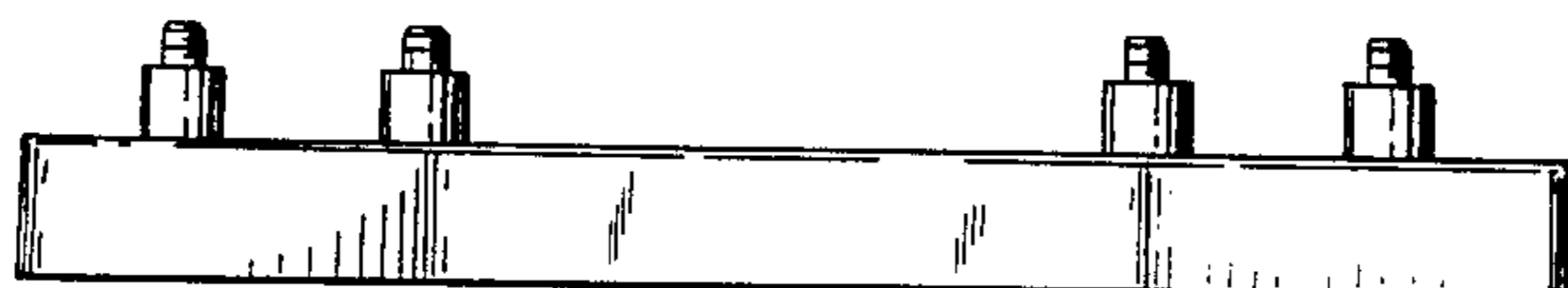
**FIG. 3**



**FIG. 4**



**FIG. 5**



**FIG. 6**

