

[54] LOUDSPEAKER

[75] Inventor: Dieter Rams, Kronberg, Fed. Rep. of Germany

[73] Assignee: Braun Aktiengesellschaft, Frankfurt am Main, Fed. Rep. of Germany

[\*\*] Term: 14 Years

[21] Appl. No.: 878,578

[22] Filed: Feb. 16, 1978

[30] Foreign Application Priority Data

Aug. 23, 1977 [DE] Fed. Rep. of Germany ..... 738648

[51] Int. Cl. .... D14-01

[52] U.S. Cl. .... D14/33; D14/38

[58] Field of Search ..... 179/1 E, 146 R; 181/153, 148, 144, 152, 146; D14/33, 34, 38

[56] References Cited

U.S. PATENT DOCUMENTS

D. 222,072	9/1971	Levitt .....	D14/34
D. 239,629	4/1976	Wiener .....	D14/38
D. 247,236	2/1978	Croup .....	D14/33
D. 249,684	9/1978	Rams .....	D14/33

OTHER PUBLICATIONS

Radio Shack Electronics Catalog, ©1976, p. 134, item C, Adjustable Bracket on Scanning Monitor Receiver.

Primary Examiner—Bernard Ansher  
Attorney, Agent, or Firm—Michael J. Striker

[57] CLAIM

The ornamental design for a loudspeaker, substantially as shown and described.

DESCRIPTION

FIG. 1 is a front view of a loudspeaker embodying my new design;

FIG. 2 is a rear view thereof;

FIG. 3 is a right side view thereof;

FIG. 4 is a left-side view thereof;

FIG. 5 is a bottom-plan view thereof;

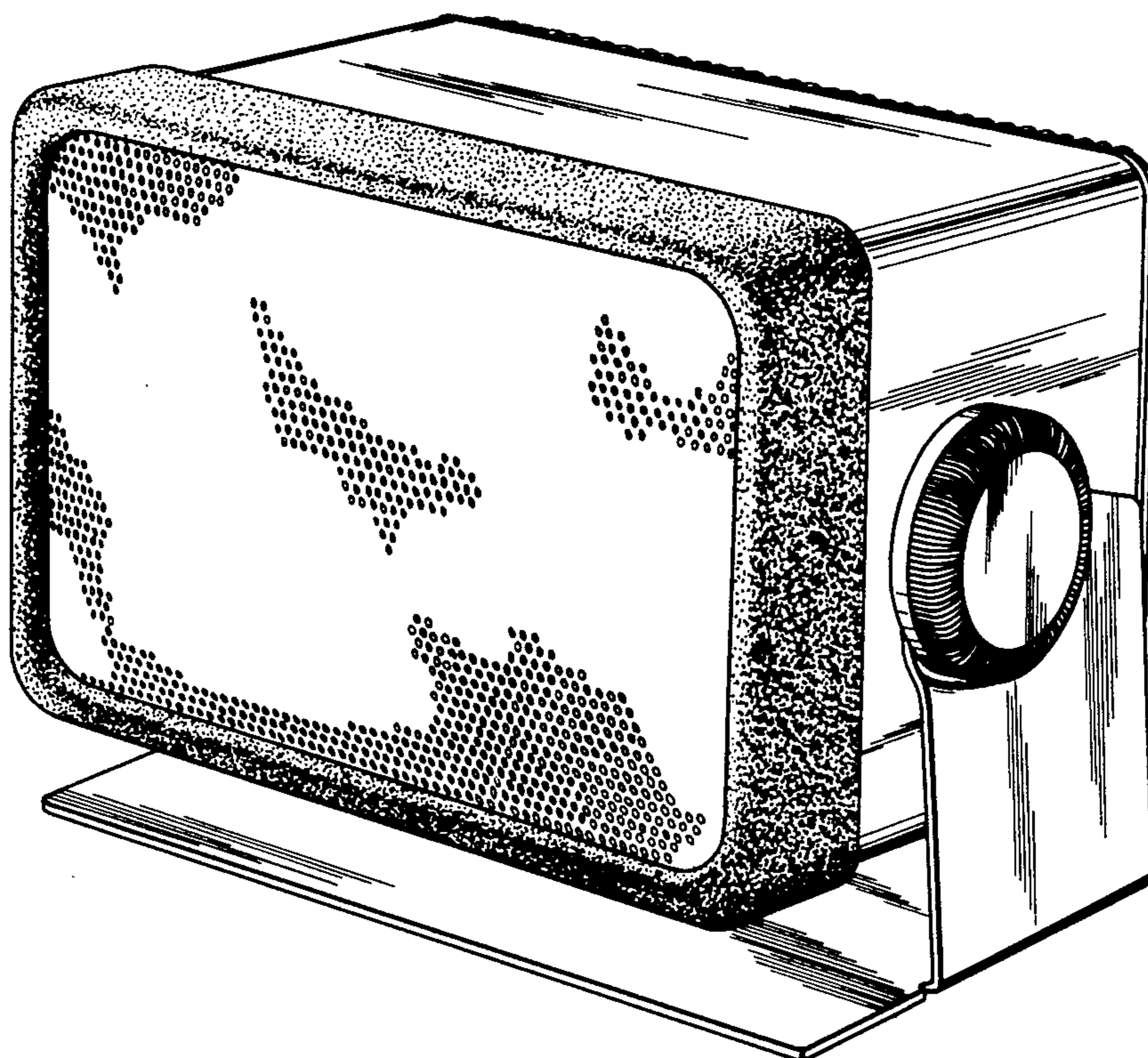
FIG. 6 is a perspective view, showing the front, top and right side thereof;

FIG. 7 is a perspective view, showing the front, top and right side of a second embodiment of a loudspeaker embodying my new design;

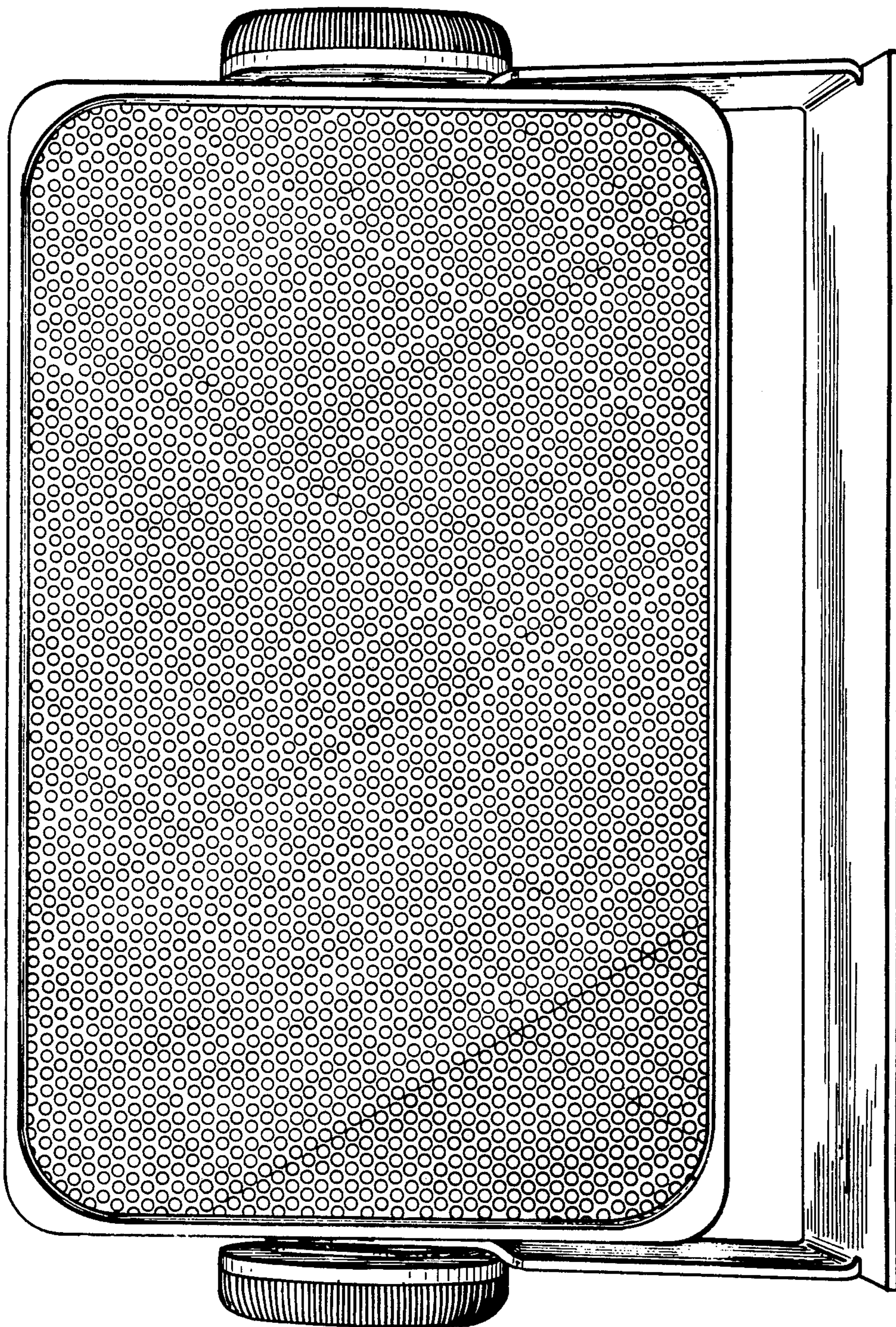
FIG. 8 is a bottom-plan view thereof; and

FIG. 9 is a right side view thereof.

The appearance of the left side of the loudspeaker of FIGS. 7-9 not shown in the drawing is identical with the appearance of the right side shown in FIG. 9.

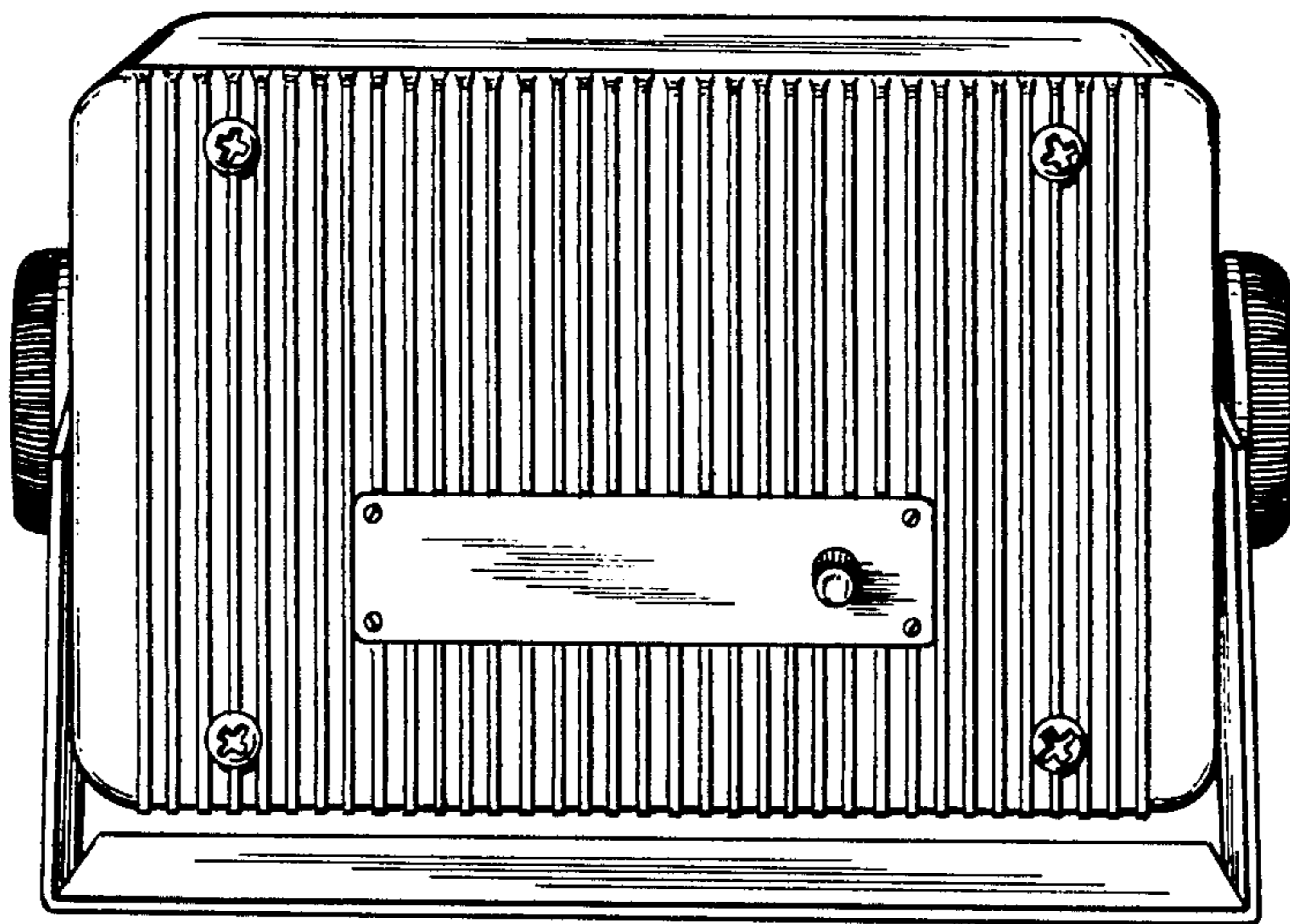




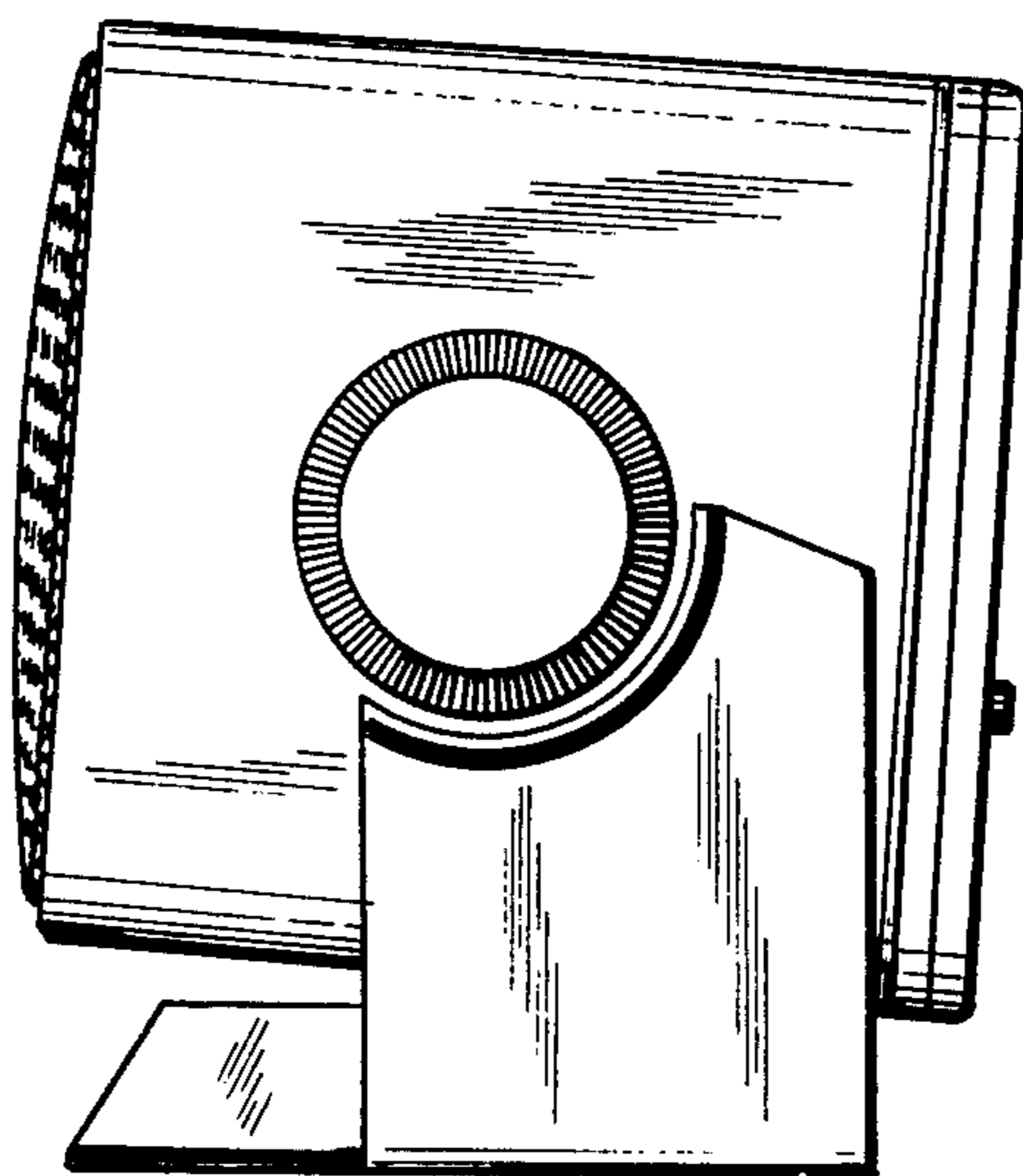


*FIG. 1*

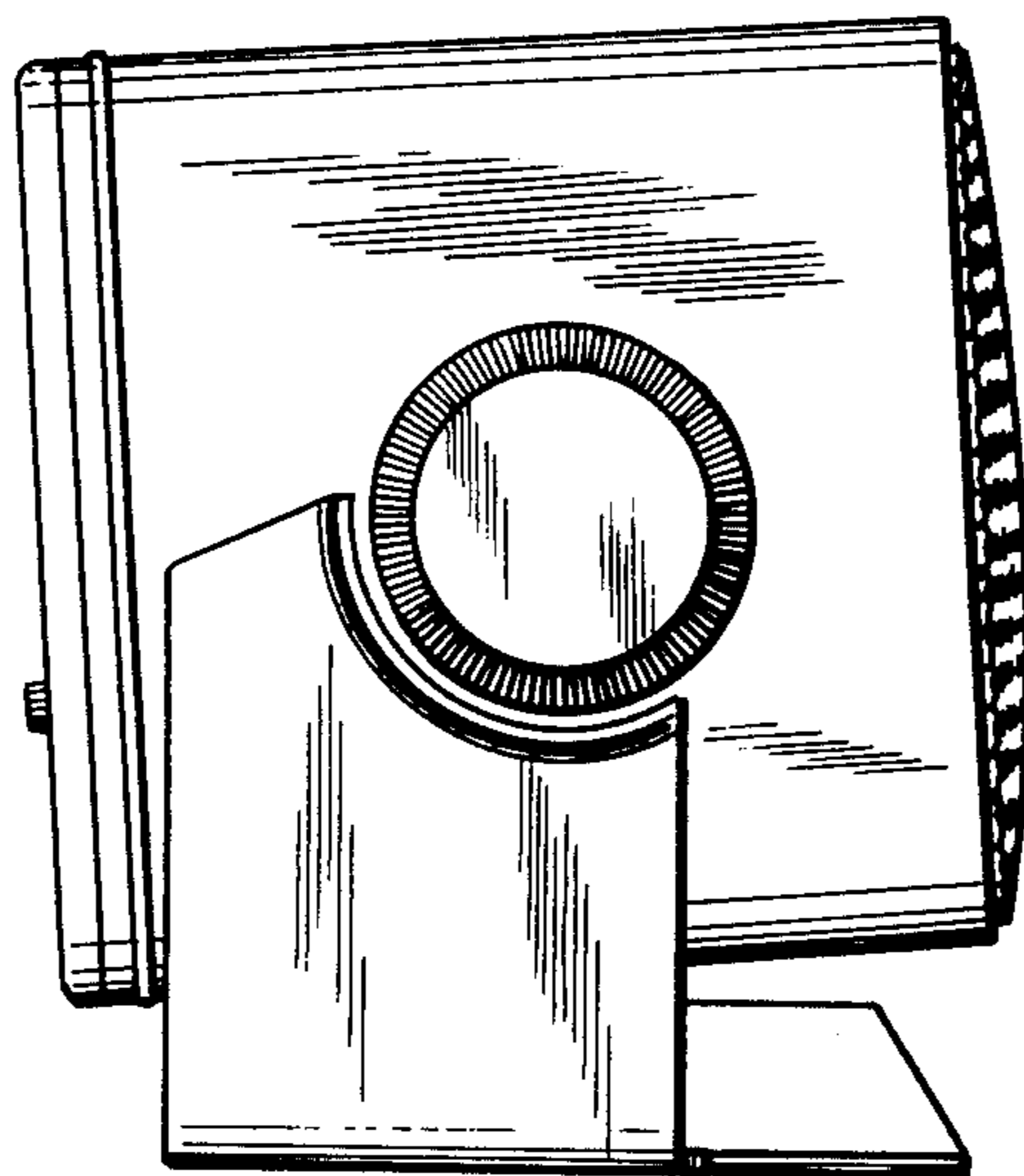




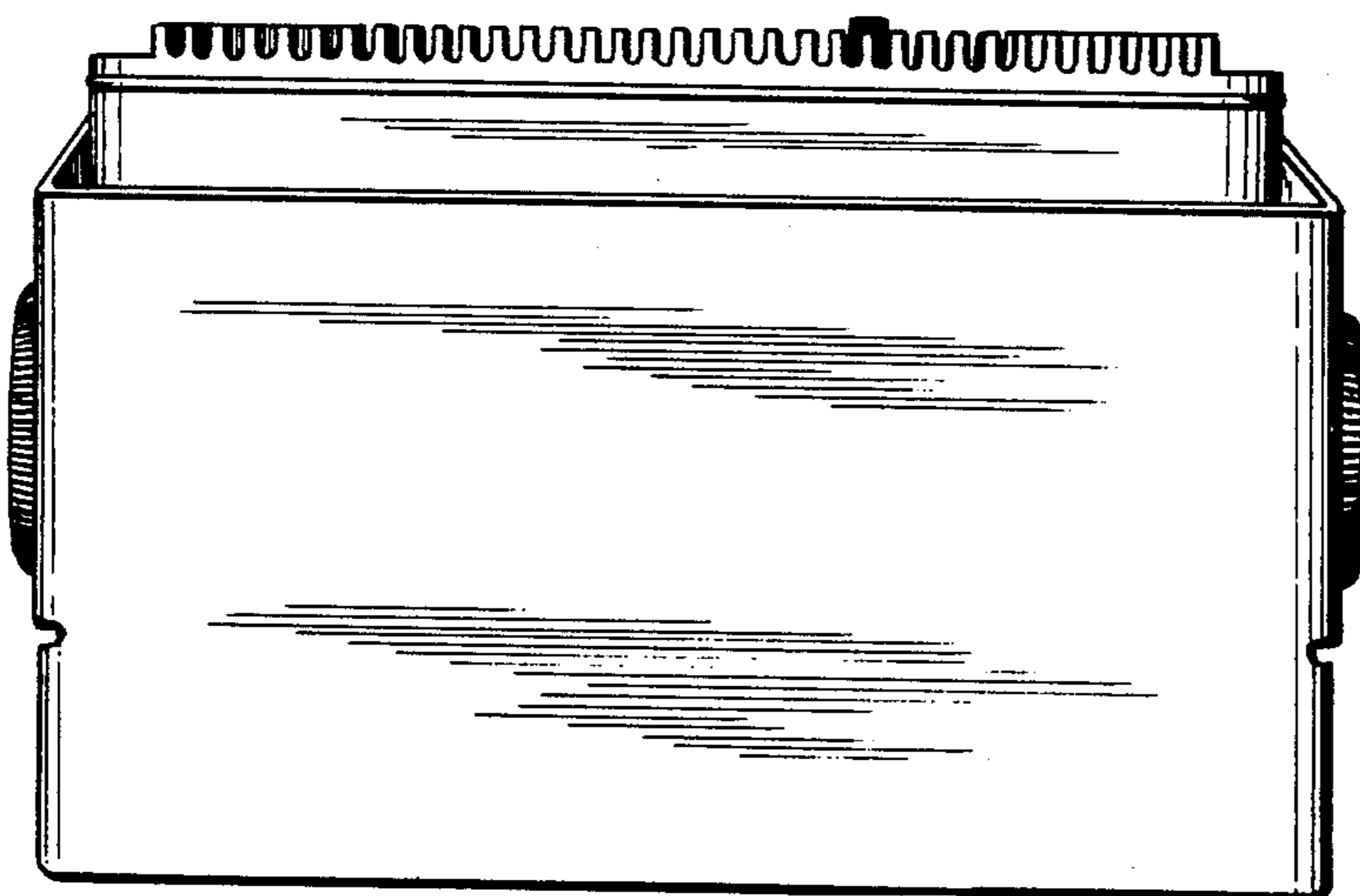
*FIG. 2*



*FIG. 3*



*FIG. 4*



*FIG. 5*

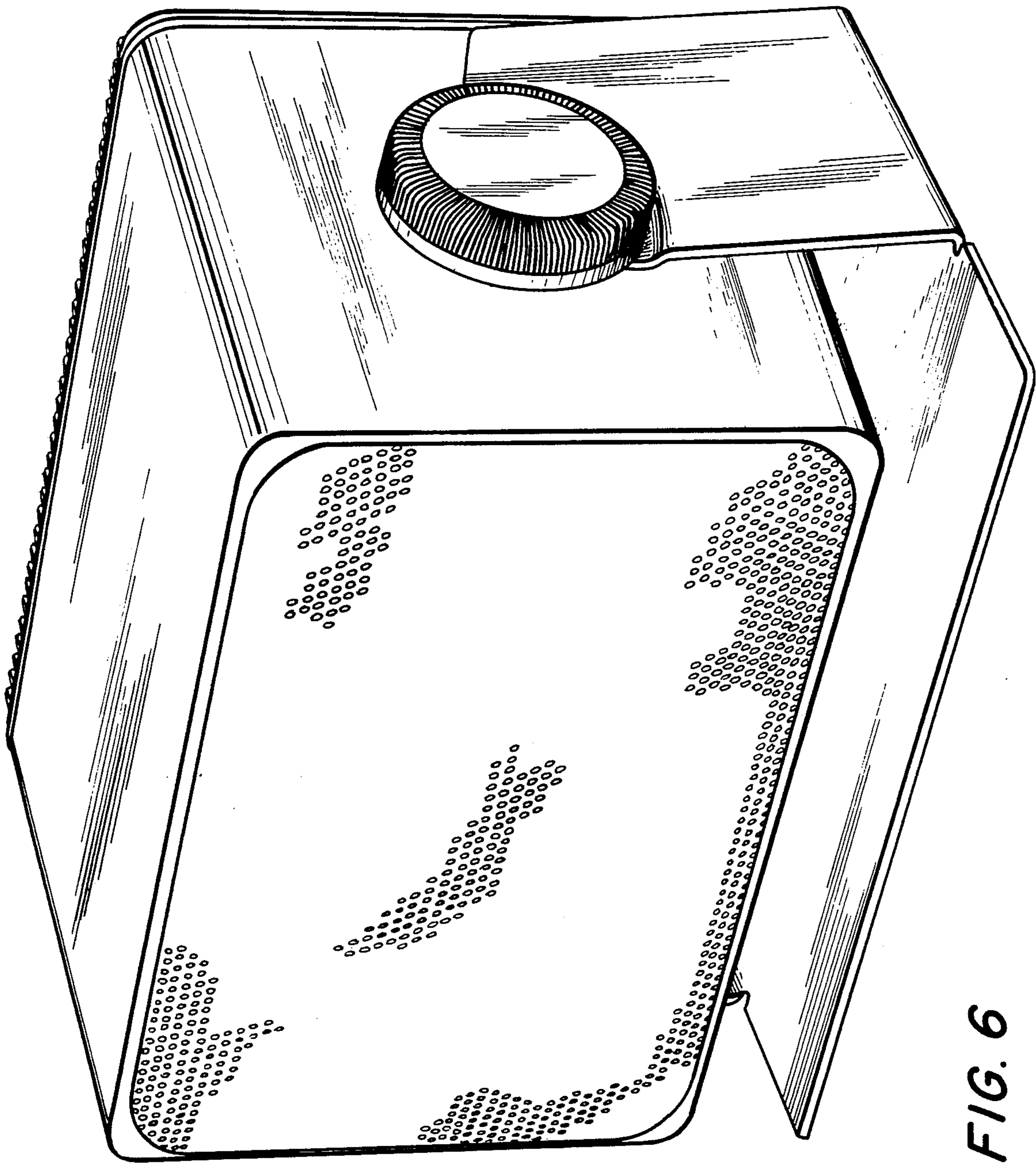


FIG. 6



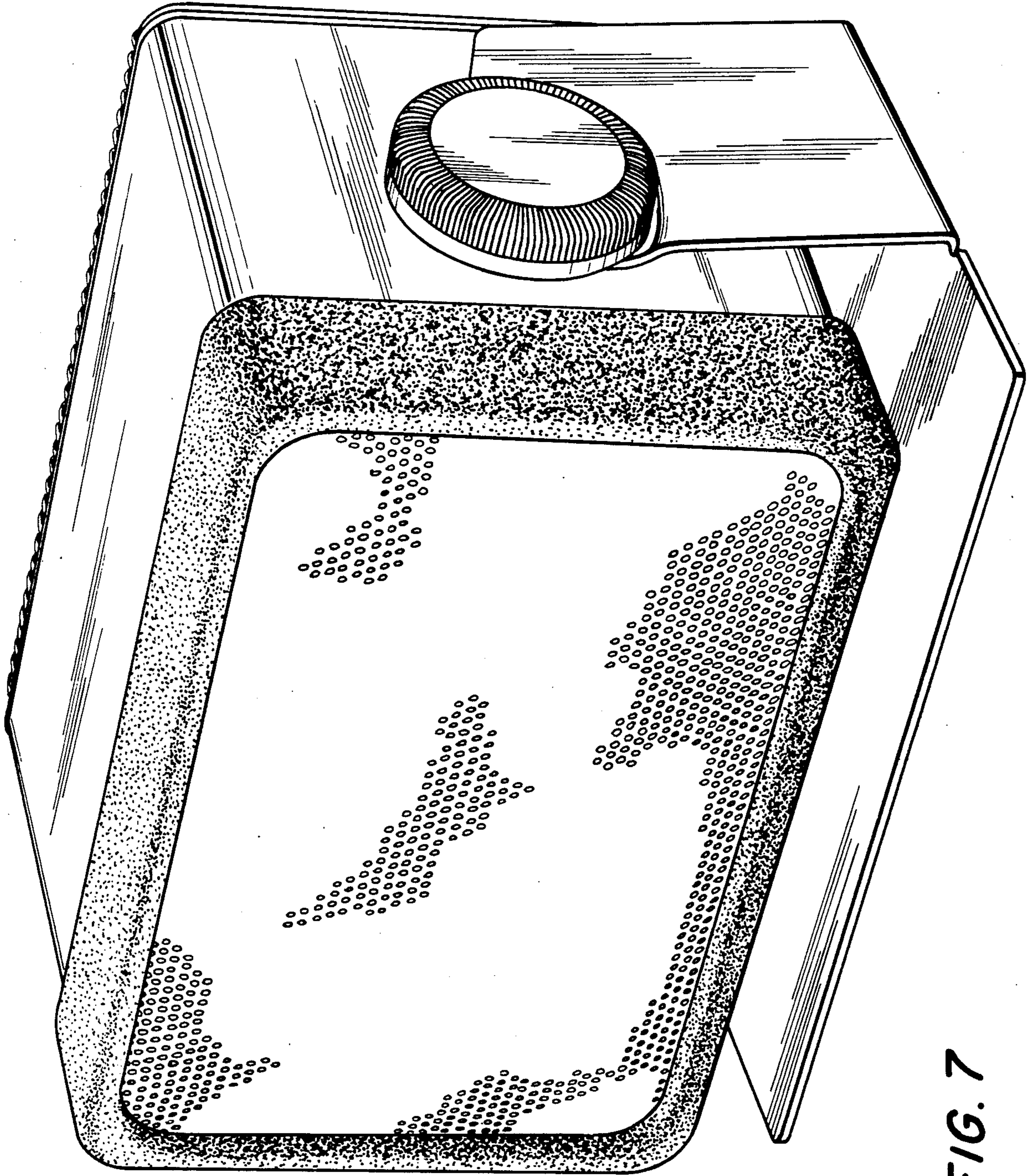
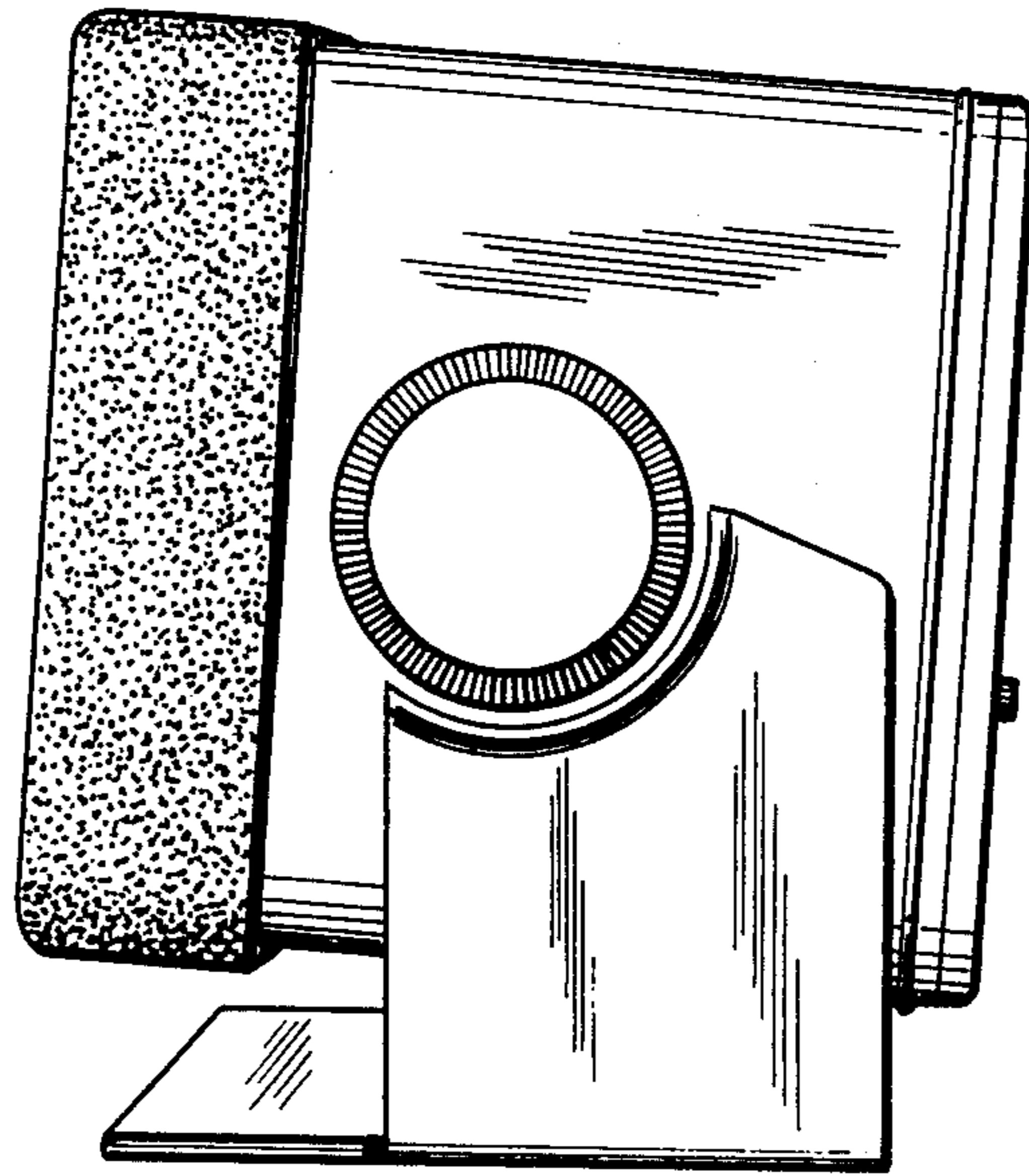
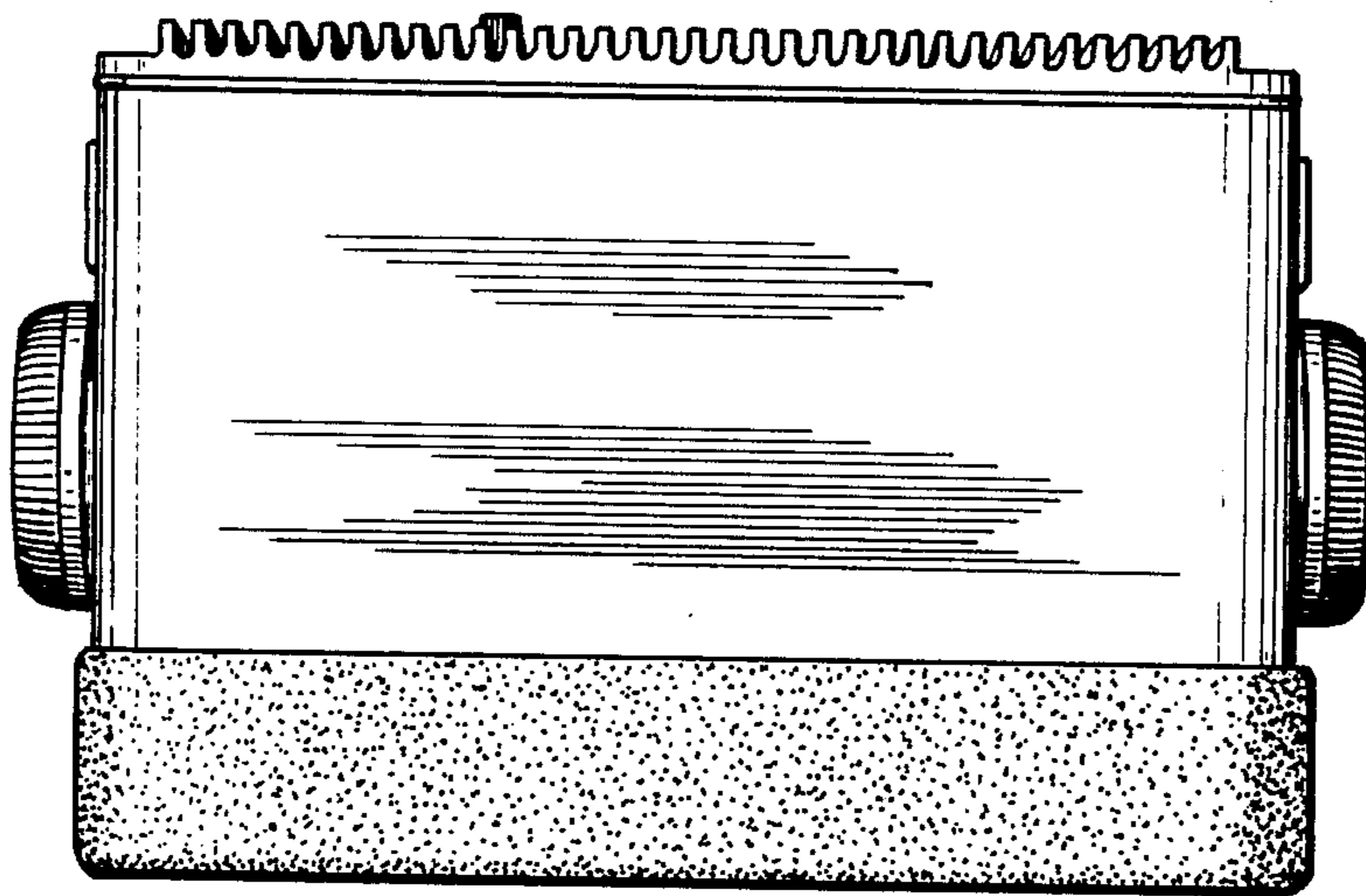


FIG. 7



*FIG. 8*



*FIG. 9*