

[54] **LOADING PALLET**

[75] Inventor: **Bengt G. Persson**, Olofström, Sweden

[73] Assignee: **AB Volvo**, Gothenburg, Sweden

[**] Term: **14 Years**

[21] Appl. No.: **927,749**

[22] Filed: **Jul. 24, 1978**

[30] **Foreign Application Priority Data**

Jan. 23, 1978 [SE] Sweden 0180/78

[51] Int. Cl. **D9-99**

[52] U.S. Cl. **D12/53**

[58] Field of Search D12/53; 108/51.1, 52.1, 108/53.1, 53.3, 55.3

[56] **References Cited**

U.S. PATENT DOCUMENTS

D. 231,653 5/1974 Schell D12/53
1,334,409 3/1920 Sindelar 108/51.1

FOREIGN PATENT DOCUMENTS

317324 10/1969 Sweden 108/51.1

Primary Examiner—James M. Gandy

Attorney, Agent, or Firm—Irvin S. Thompson

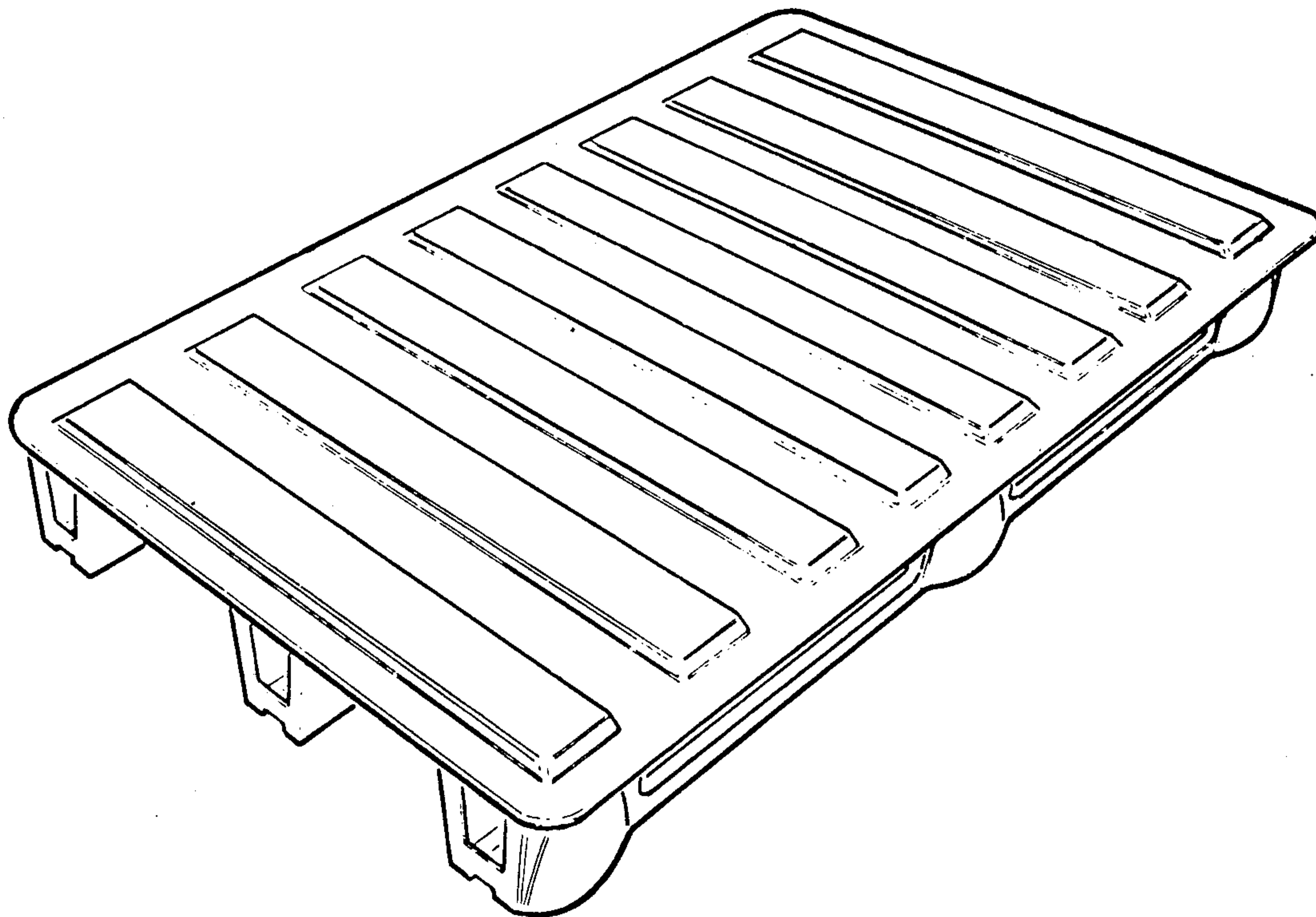
[57] **CLAIM**

The ornamental design for a loading pallet, as shown and described.

DESCRIPTION

FIG. 1 is a top perspective view of a loading pallet showing my new design; and

FIG. 2 is a bottom perspective view thereof.



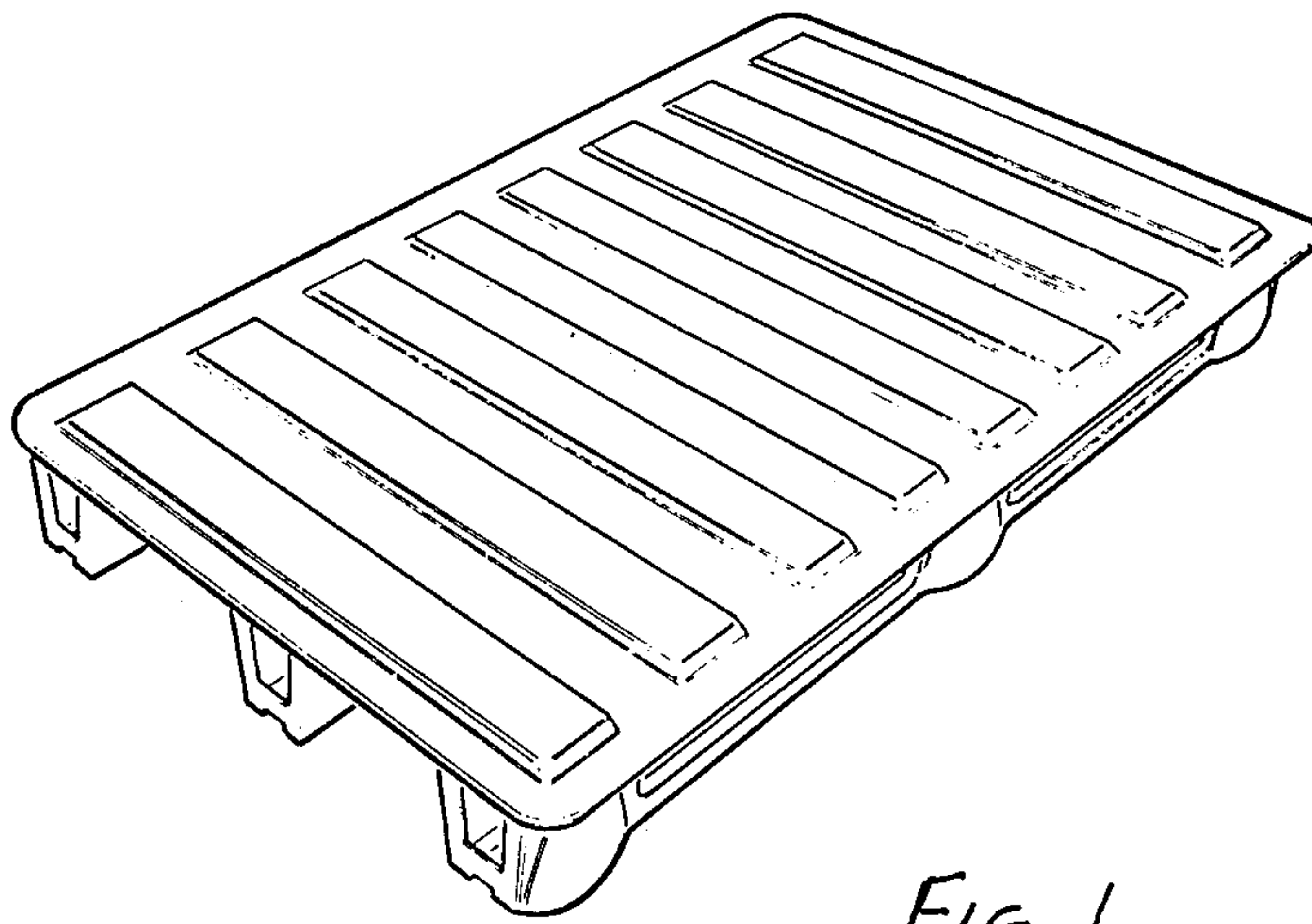


FIG. 1

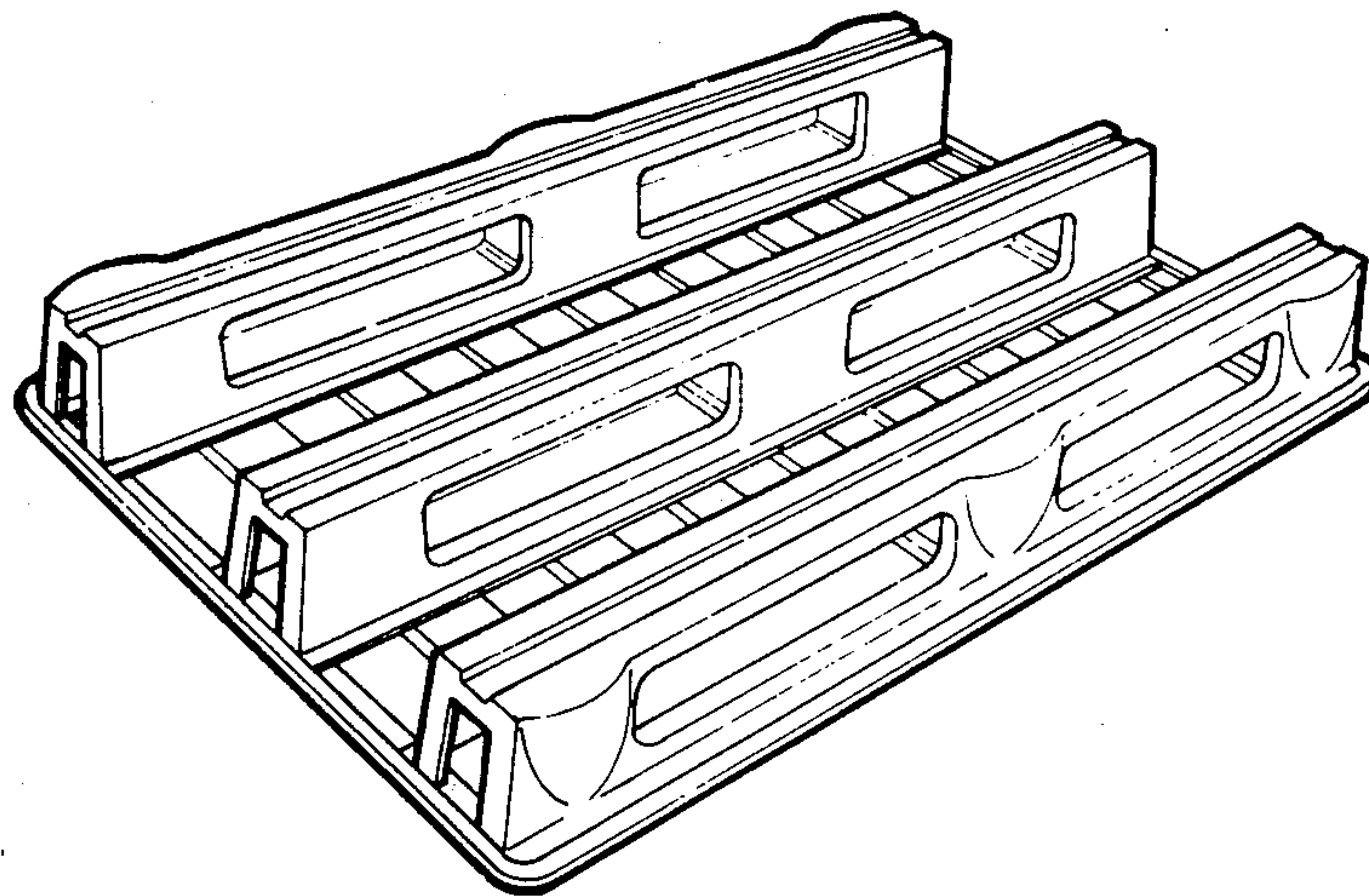


FIG. 2