

[54] TRACK TIE STABILIZER

[76] Inventor: James W. Lawson, 7006 New Hampshire Trail, Crystal Lake, Ill. 60014

[**] Term: 14 Years

[21] Appl. No.: 907,176

[22] Filed: May 17, 1978

[51] Int. Cl. D12-03

[52] U.S. Cl. D12/51; D8/394

[58] Field of Search D12/51; D8/394, 354; 238/106, 300

[56] References Cited

U.S. PATENT DOCUMENTS

4,121,766 10/1978 Wiatret et al. 238/300

FOREIGN PATENT DOCUMENTS

624546 1/1936 Fed. Rep. of Germany 238/106

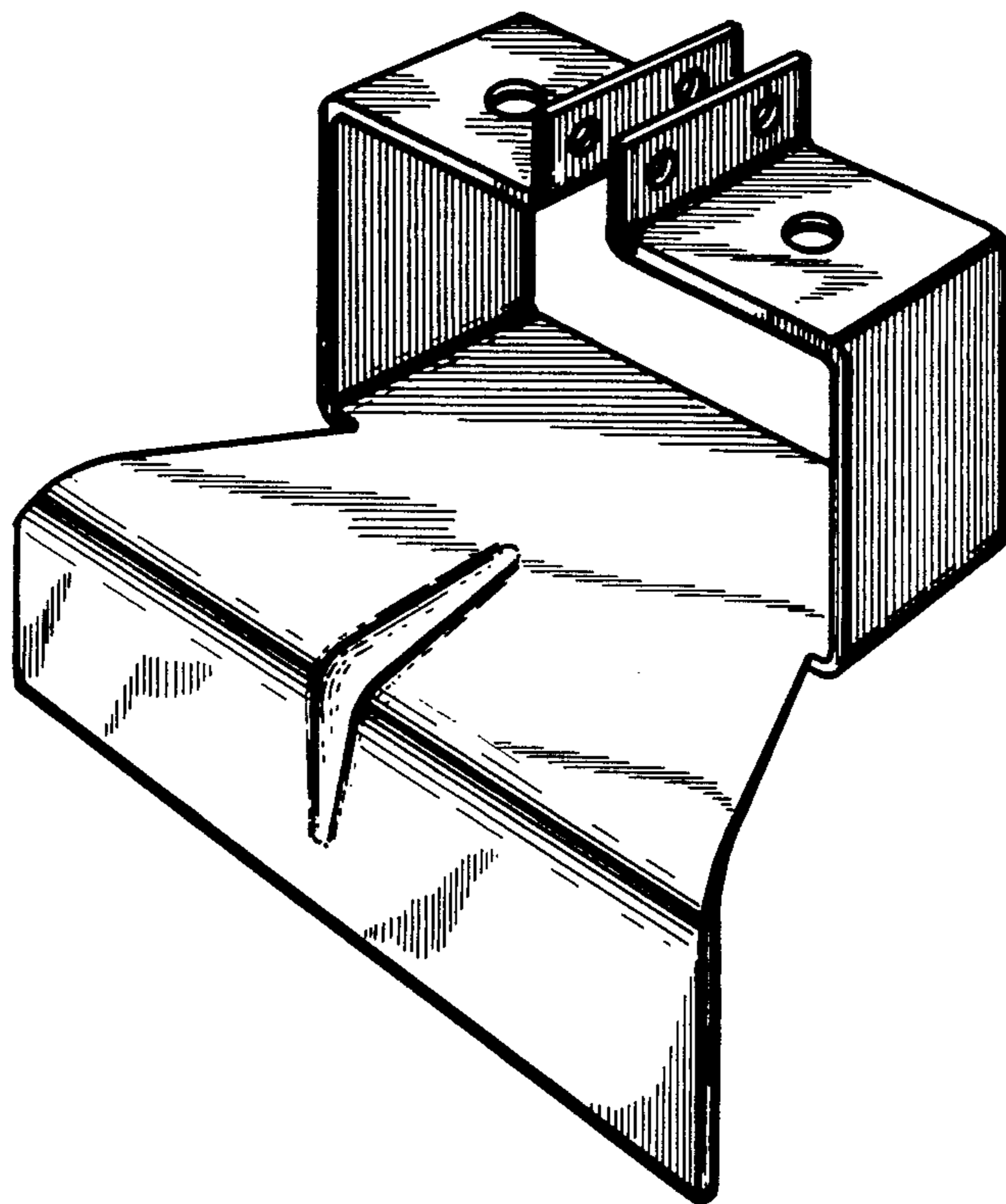
Primary Examiner—James M. Gandy
Attorney, Agent, or Firm—Charles F. Lind

[57] CLAIM

The ornamental design for a track tie stabilizer, as shown and described.

DESCRIPTION

FIG. 1 is a perspective view of a track tie stabilizer showing my new design;
FIG. 2 is an enlarged rear elevational view thereof;
FIG. 3 is an enlarged side elevational view thereof, the opposite side being a mirror image of the side shown;
FIG. 4 is an enlarged front elevational view thereof; and
FIG. 5 is an enlarged top plan view thereof.



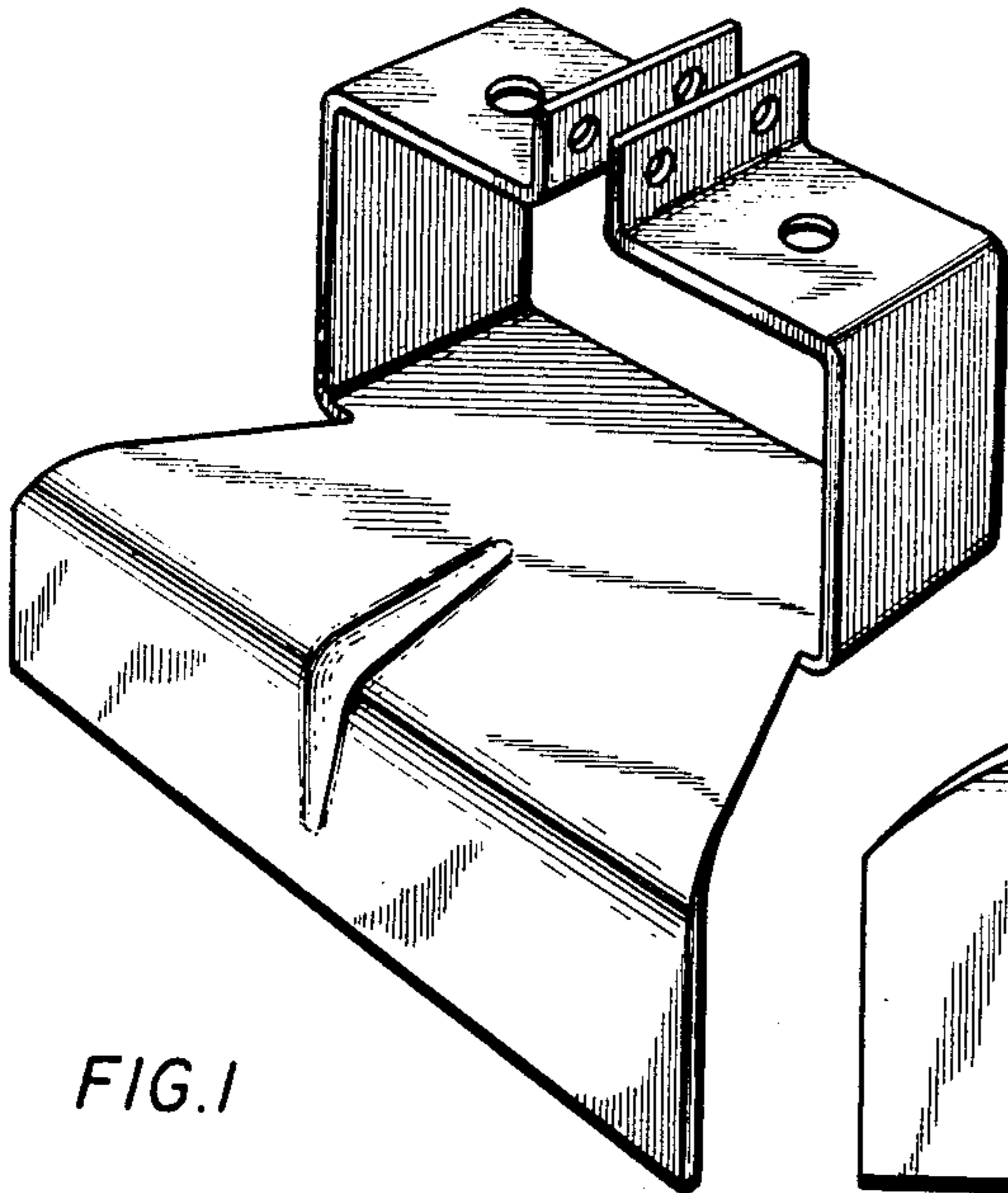


FIG. 1

FIG. 2

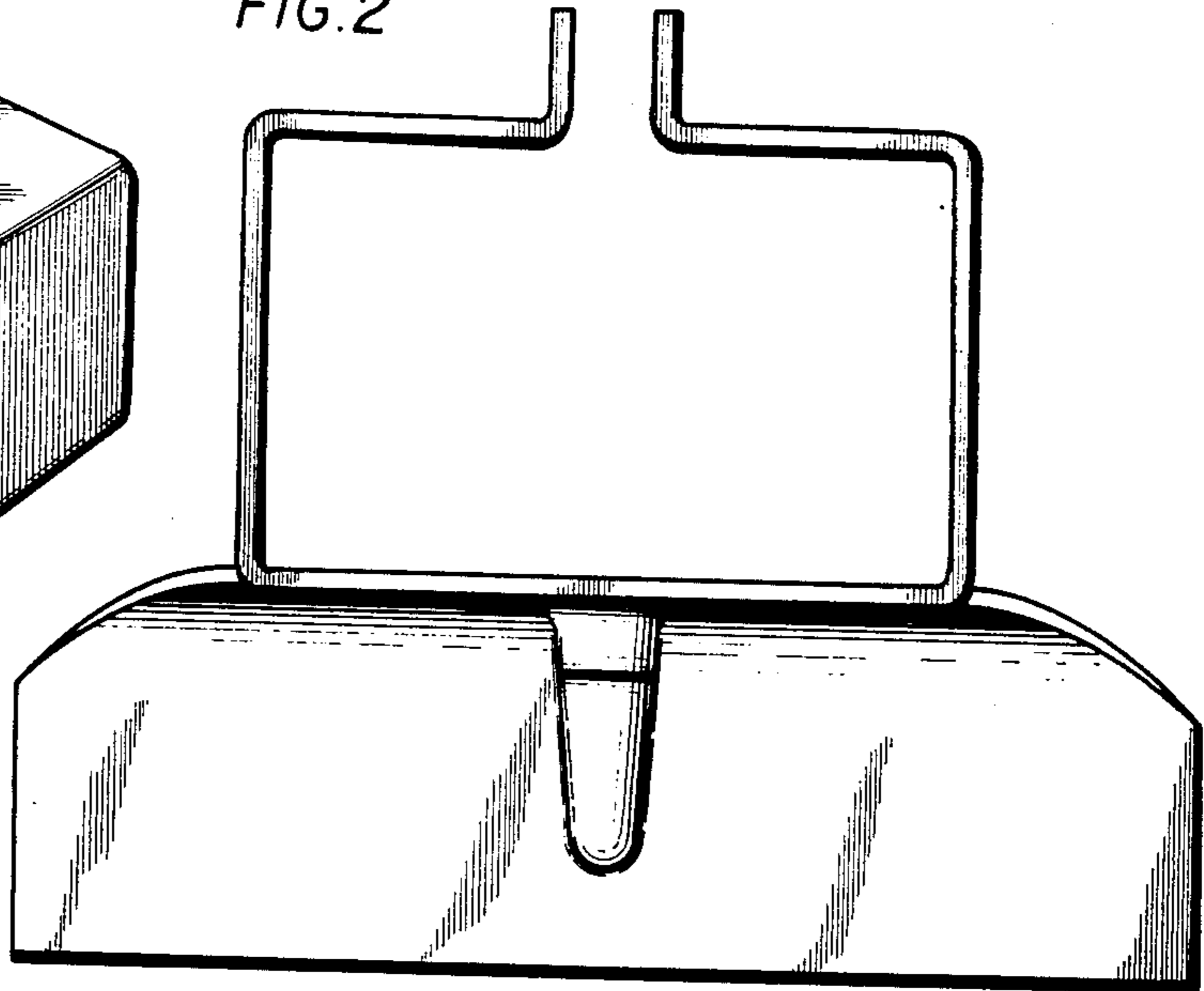


FIG. 4

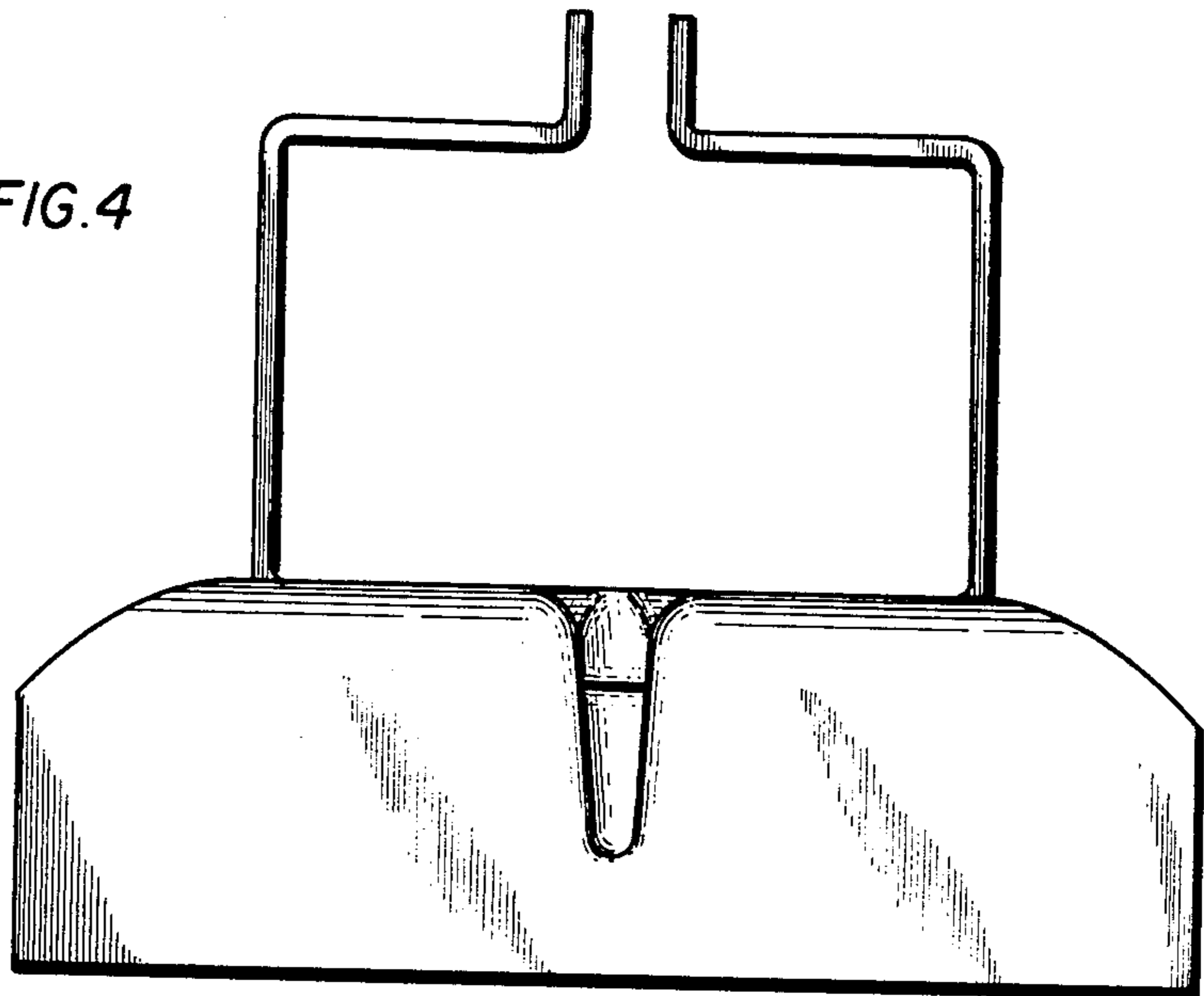


FIG. 5

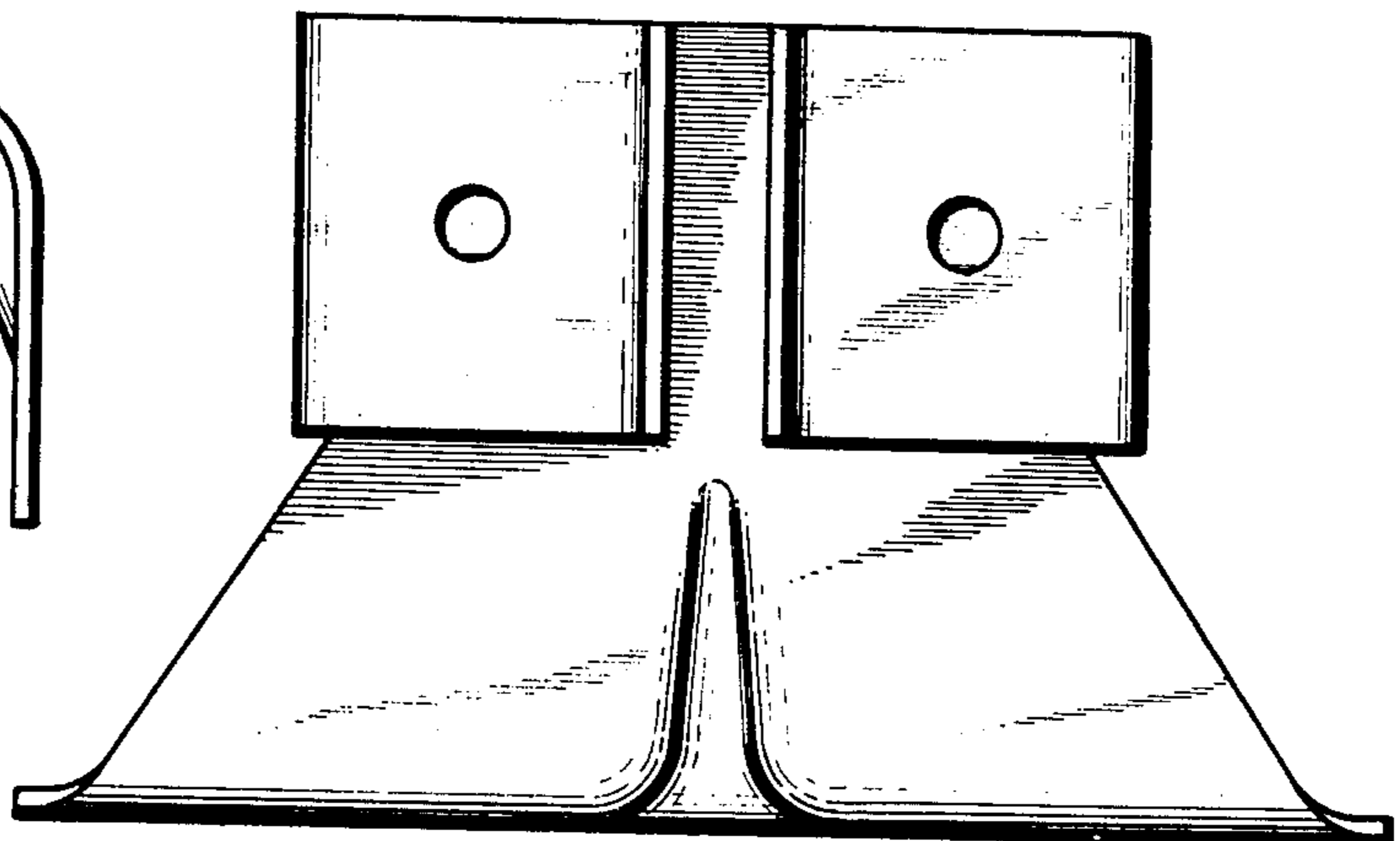


FIG. 3

