

[54] DRINKING CUP LID

[56] References Cited

[76] Inventors: **Kenneth M. Swade**, 11035 Gross Dr., Parma, Ohio 44130; **John G. Bradner**, 8812 Webster Rd., Strongsville, Ohio 44136

U.S. PATENT DOCUMENTS

3,173,574	3/1965	Goldsmith .....	220/306
3,401,825	9/1968	Weiss .....	220/306
3,410,436	11/1968	Foss et al. ....	D9/254
3,927,794	12/1975	Erdman .....	220/90.4
4,113,135	9/1978	Yamazaki .....	220/90.4

[\*\*] Term: **14 Years**

*Primary Examiner*—Joel Stearman  
*Assistant Examiner*—Carmen H. Vales  
*Attorney, Agent, or Firm*—Robert Bruce Henn

[21] Appl. No.: **901,762**

[57] CLAIM

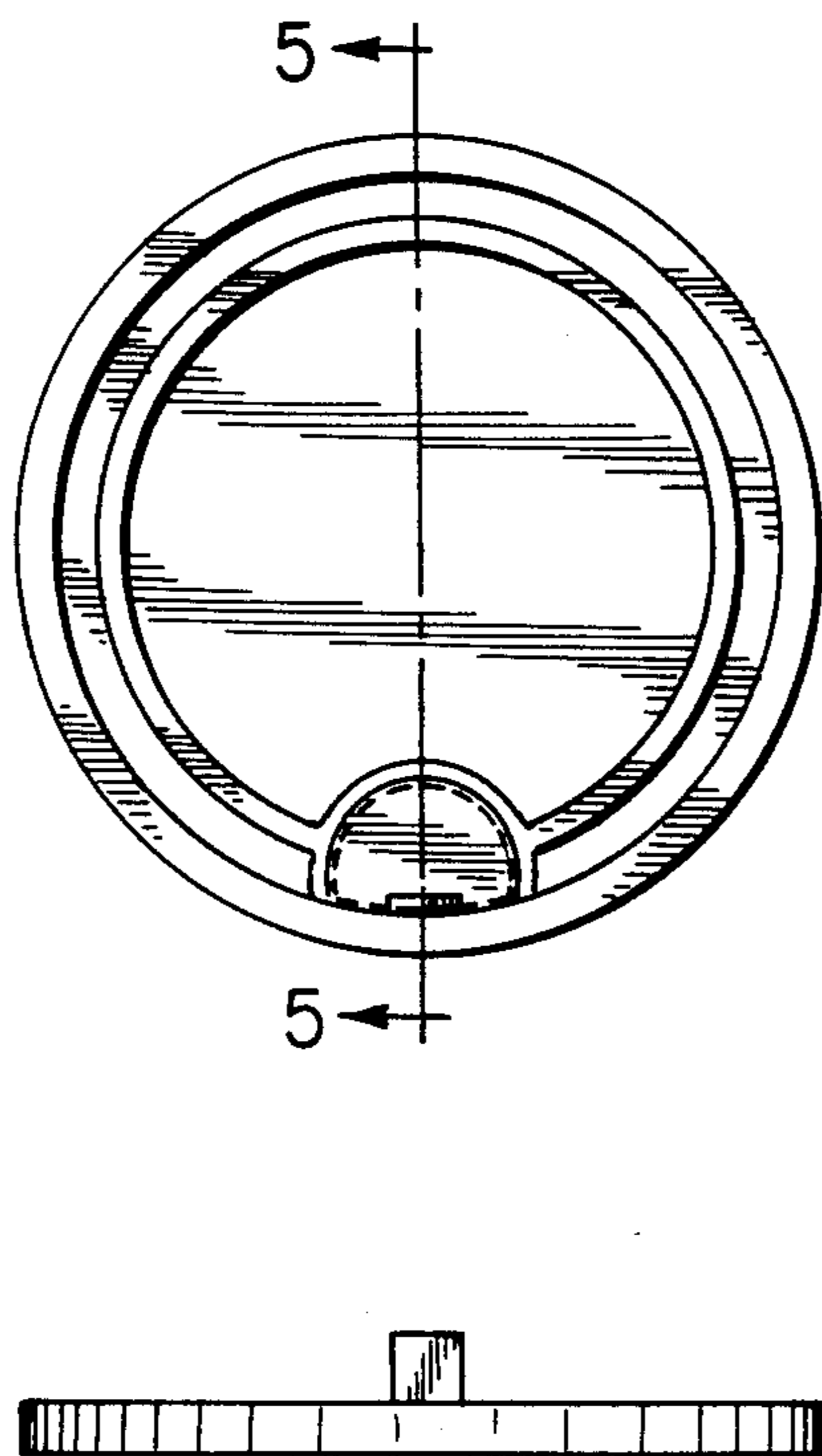
The ornamental design for a drinking cup lid, as shown and described.

[22] Filed: **May 1, 1978**

DESCRIPTION

[51] Int. Cl. .... **D09—99**  
 [52] U.S. Cl. .... **D9/267**  
 [58] Field of Search ..... D9/253, 254, 261, 262, D9/265, 267; D7/16, 17, 39, 40, 131; 206/217; 220/200, 306, 307, 309, 352, 356, 90.4, 254, 270; 215/200, 211, 215, 216, 316, 305, 317, 321, 324, 325, 327, 353, 354, DIG. 7; 229/43

FIG. 1 is a top plan view of a drinking cup lid showing our new design;  
 FIG. 2 is a side elevational view thereof;  
 FIG. 3 is a front elevational view thereof;  
 FIG. 4 is a bottom plan view thereof; and  
 FIG. 5 is a sectional view taken along line 5—5 of FIG. 1.



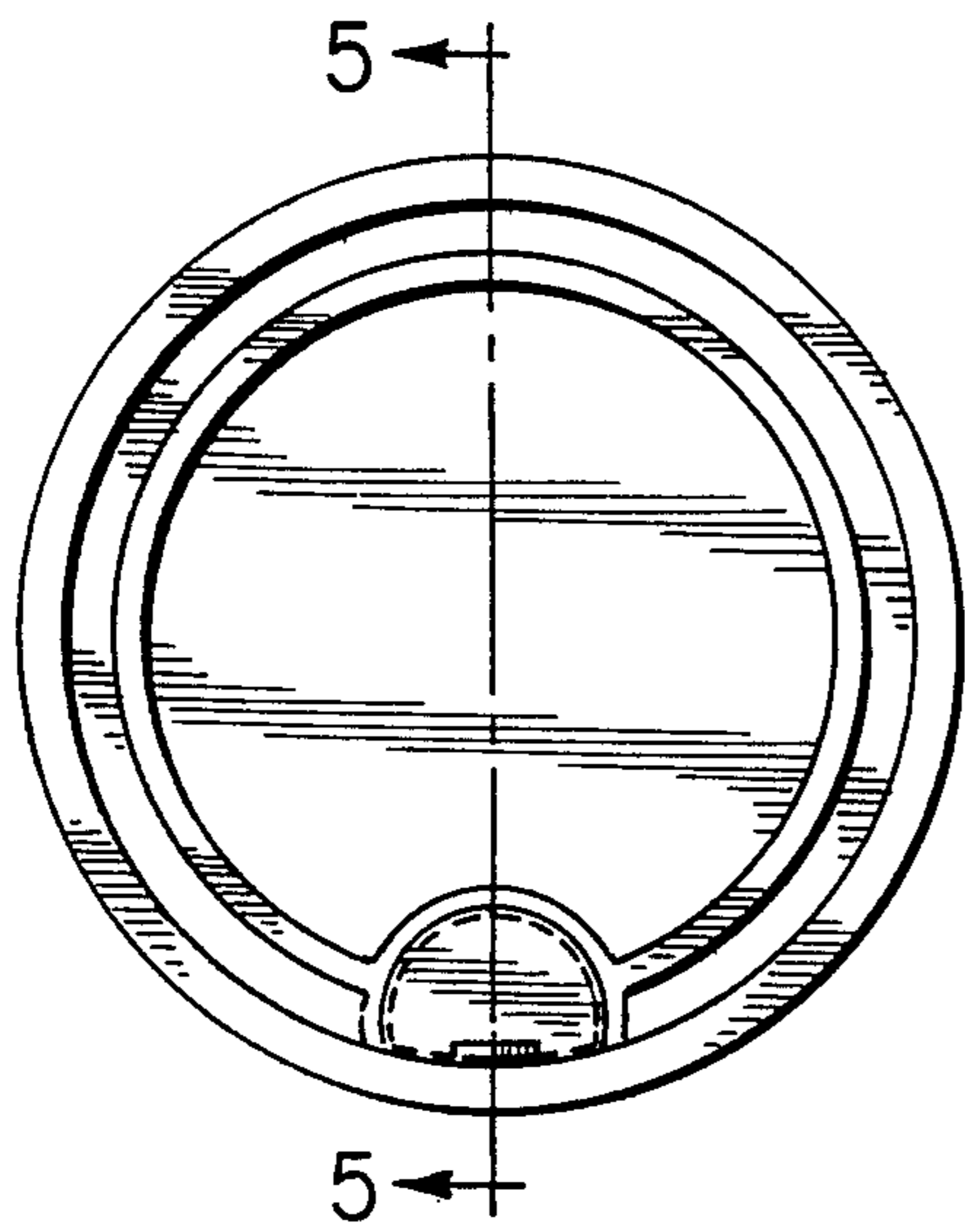


FIG. 1



FIG. 2



FIG. 3

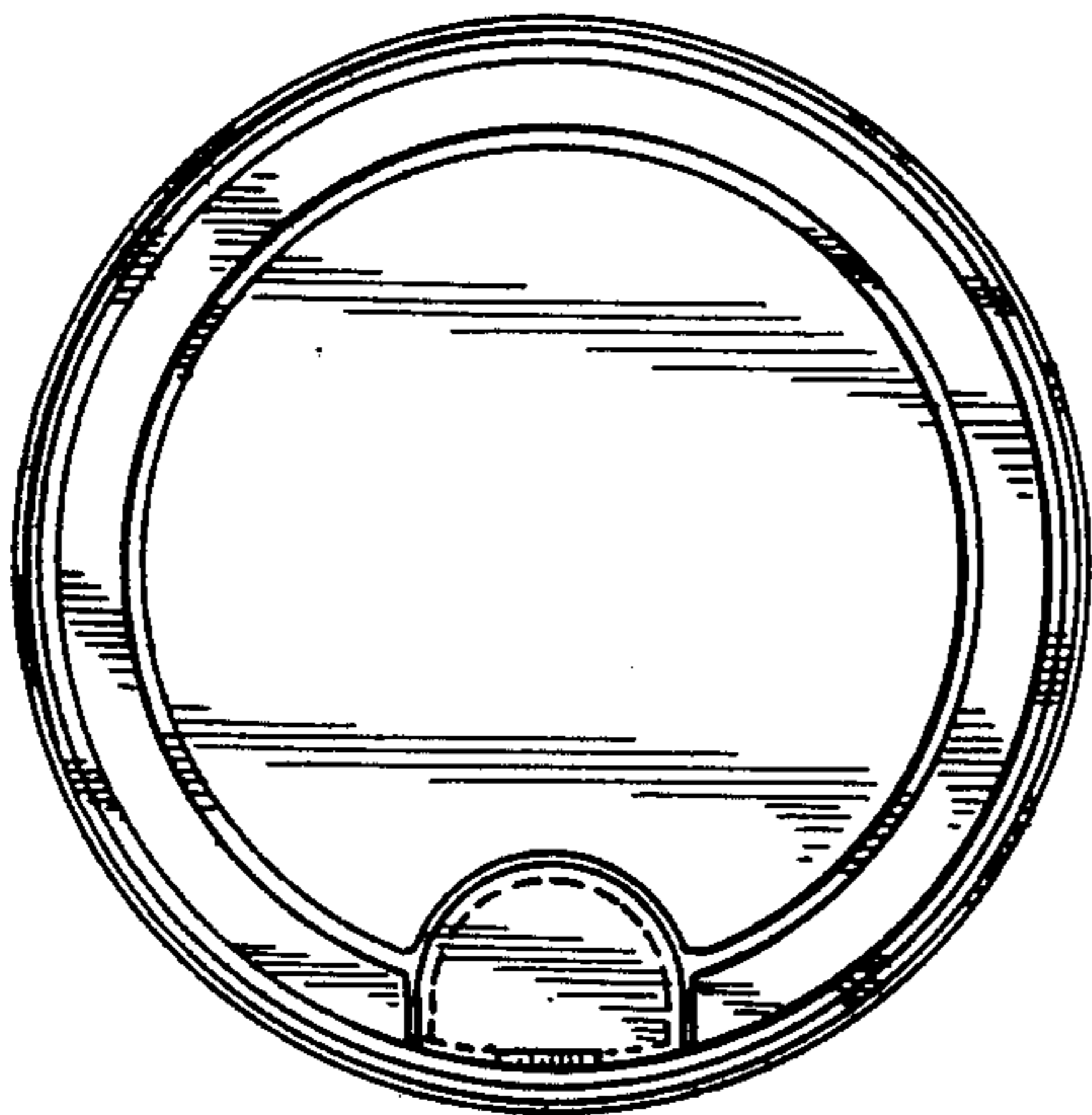


FIG. 4



FIG. 5